

GB • F • D • I • E • P • SW • PL • GR • CZ/SK • NL

## WARNING

For safe driving, driver should not watch the monitor or operate the device.

Do not drop the device.

Do not spill any liquid on the device.

Don't try to repair or modify the device yourself, it will void the guarantee and can cause injury

Connecting the device should be trusted to an expert technician. Please refer to the connecting diagram.

Make sure the device is switched off when starting the engine. Otherwise it may result in battery damage or failure of starting up the engine

## TECHNICAL SPECIFICATIONS

Screen size: 7 inch

Pixel resolution: 480 x 234

Brightness: 200cd/m<sup>2</sup>

Contrast: 300:1

Viewing angle: 120°

Operating supply: 11~15V (Typical: DC 12V)

Power consumption: 12W

Standby Power Consumption: 1W

IR Headphone output:

CH A: 2.8Mhz/2.3Mhz

CH B: 3.8Mhz/3.2Mhz

Storage temp. -20°C ~ +60°C

Video output level: 1Vp-p, 75Ω (composite)

Video input level: 1Vp-p, 75Ω (composite)

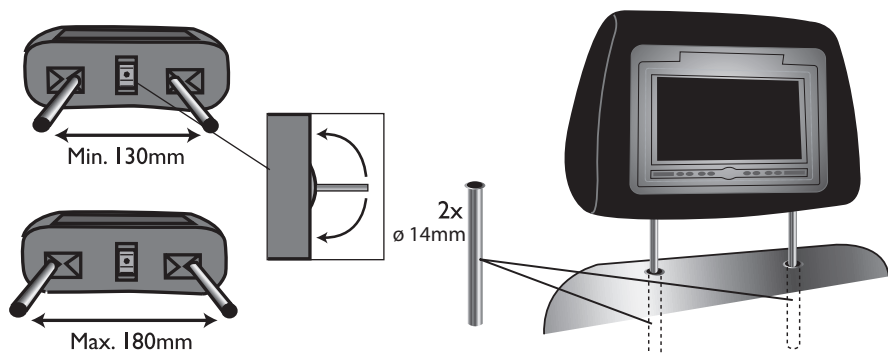
Audio input level: 300mV / 47KΩ

Dimensions: 275(W)x205(H)x115(D)mm

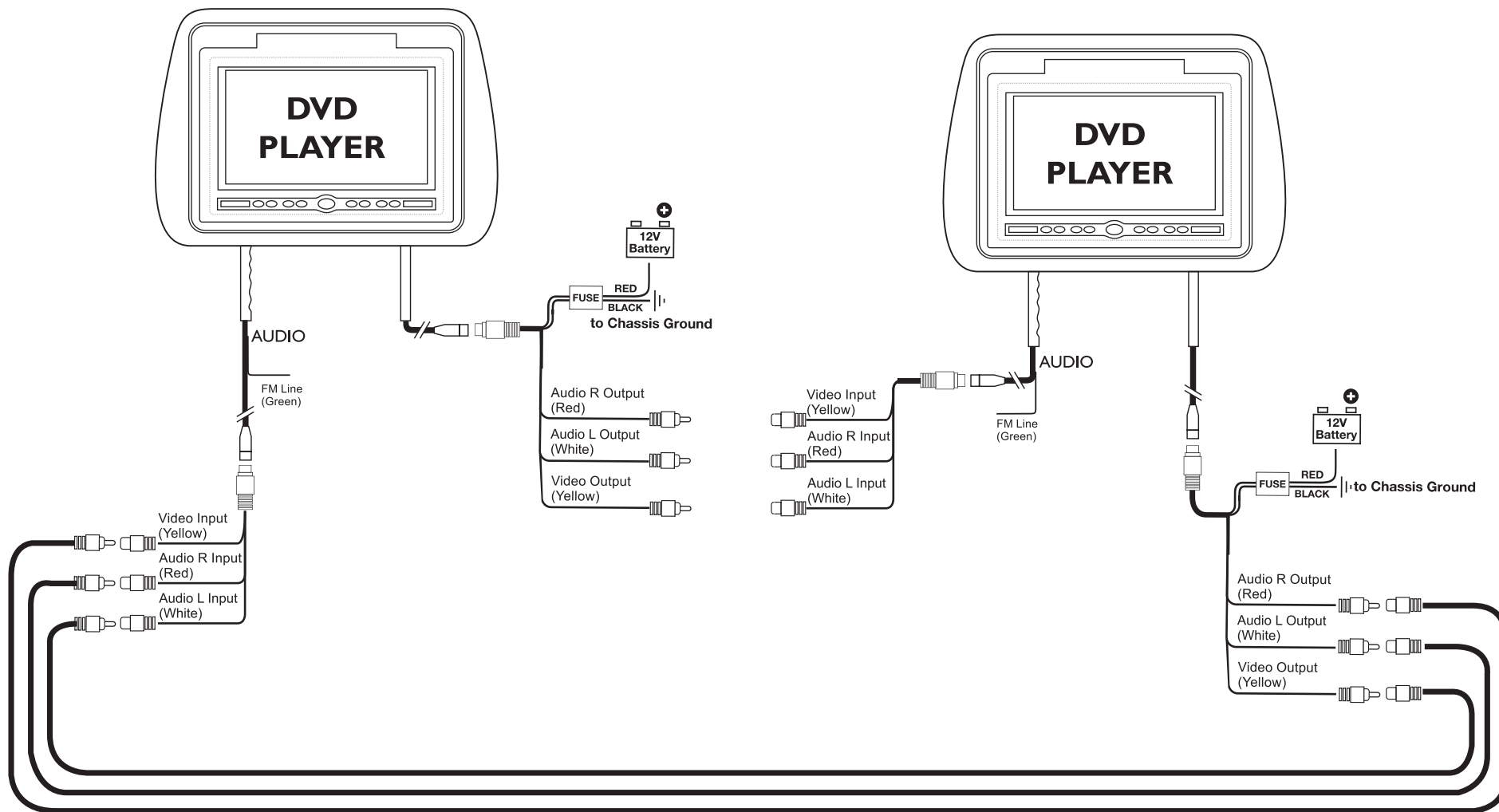
Weight: 1.80kg

Playback formats: DVD/ CD/ VCD/ DVCD/ MP3/WMA/ DivX

Remote control



**Use the supplied assembling stick to modify the distance, before installation!**



## DVD SET UP MENU

Press setup button on the remote control at DVD mode and DVD SETUP menu will appear. You can move or select the menu by pressing ◀, ▶, ENTER button.

### GENERAL SETUP PAGE

- **TV Display**
    - **Normal / Ps:** Normal TV Pan Scan
    - **Normal / Lb:** Normal TV Letter Box
    - **Wide:** Wide Screen TV
  - **Angle Mark**
    - **On:** Show on the current screen angle
    - **Off:** Show off the angle
  - **OSD Lang**
    - **English:** To set the on-screen display language in English
    - **Chinese:** To set the on-screen display language in Chinese
  - **Last memory**
    - **On:** Use the last memory function, record and play the loaded position of the disc before closing/opening
    - **Off:** Last memory function off.
- Current mode change or Power On/Off, does not record.

### VIDEO QUALITY PAGE

- **Brightness:** Use to adjust brightness
- **Contrast:** Use to adjust contrast
- **Hue:** Use to adjust tint
- **Saturation:** Use to adjust saturation

### PASSWORD SETUP PAGE

- **Password**
  - **Change:** Change the password

### PREFERENCE PAGE

- TV Type: Set TV Standard
- Audio: Preferred Audio Language
- Subtitle: Preferred Subtitle Language
- Disc Menu: Preferred Menu Language
- Parental: Set Parental Control
- Default: Load Factory Setting

### DVD PLAY MENU

Press DISC INFO button of remote control, PLAY menu will appear. Press ▲, ▼ button to select Title/Chapter/Subtitle/Angle/Tt Time/Ch Time/Repeat/Time Disp, operate with ◀, ▶.

### OPERATING INSTRUCTIONS

#### Monitor menu

Press CONSOLE button of remote control, Picture menu will appear.

Press ▲, ▼ button to select BRIGHTNESS/CONTRAST/COLOR, Press ◀, ▶ to adjust BRIGHTNESS/CONTRAST/COLOR; Press ▲, ▼ button and select RESET to reset the device.



#### Other functions

Use the power ON/OFF to turn the device on or off.



Press PBC to return to the main menu or title menu while playing DVD disc.



Shows the main film content, accompanying feature content, additional feature content or

music album. Each title is assigned a title reference number enabling you to locate it easily.



Switch AV-IN / DVD mode



Each time this button is pressed, the information of playing title will be displayed on screen.



In this mode, the dynamic or still picture and sound can be slowed in at most by 5 folds. Press SLOW for four times, the picture and sound is slowed in 1/2, 1/4, 1/8, 1/16, folds per order. And press slow again to return to the normal playing mode.



Press PROGRAM button of remote control, Program menu will appear:



Press ◀, ▶, ▲, ▼ to select, press ENTER button, operate the number buttons, press play to select the new gradation.



Press Audio button to choose Stereo / Mono Left / Mono Right.



Sound off by pressing MUTE button.



While playing DVD disc, press Repeat button for the first time to repeat playing one chapter, press Repeat for the second time to repeat playing the entire disc, press Repeat for the third time to cancel. **Note:** In PBC mode, this Directive is invalid.



In this mode, the dynamic or still picture can be zoomed in at most by 7 folds. Press Zoom button for six times, the picture is zoomed in by 2x, 3x, 4x, 1/2, 1/3, 1/4 folds per order. And press Zoom again to return to the normal playing mode.



Use to play / pause the disc by pressing each time.



FM audio output



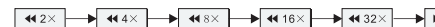
While DVD disc is playing, each time you press the Fast Forward button, screen shows as following:



- Press Play to shift to normal playing mode



While DVD disc is playing, each time you press the Fast backward button, screen shows as following:



- Press Play to shift to normal playing mode



Return to the previous title / track on the disc. Press once while audio disc playing, to move to the first part of the current track. Press twice to move to the previous track. In case of MP3, you can move to the previous track by pressing once.



Advance to the next title/track on the disc. In case of MP3, you can move to the next track by pressing once.



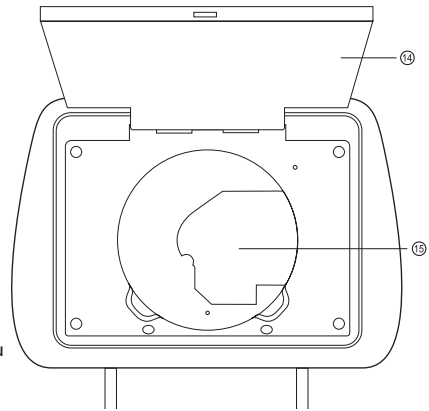
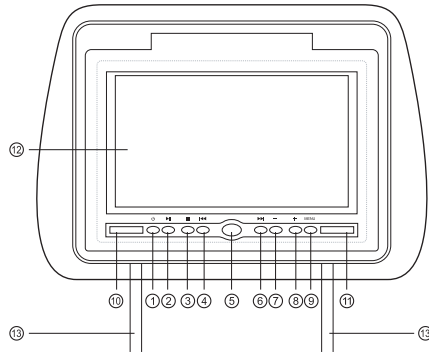
Adjust volume by pressing VOL-, VOL+ button on remote control.

### CAUTION

If moisture or debris get into the device or anything unusual occurs such as smoke, strange noise, smell, etc., please disconnect DC power cable immediately. Breakdown can cause hazard such as fire, electric shock. Do not disassemble device; high voltage hazard!

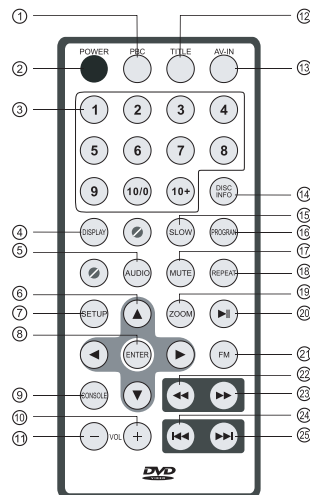
**OPERATION**

- 1) Power on/off
- 2) Play/pause
- 3) Stop
- 4) Previous
- 5) Monitor open button
- 6) Next
- 7) Analog decrease
- 8) Analog increase
- 9) Menu
- 10) IR eye
- 11) Remotcontrol eye
- 12) Colour LCD screen
- 13) Adjustable steel pipe
- 14) Cover
- 15) DVD driver



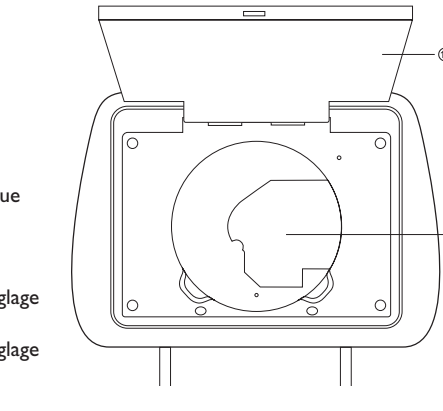
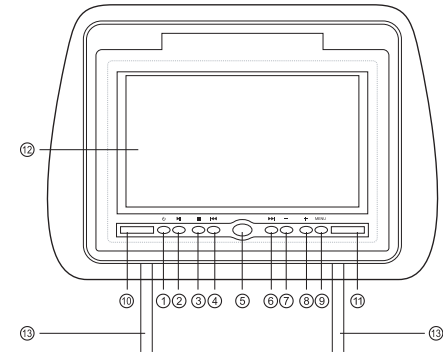
**REMOTE CONTROL**

- |                   |  |
|-------------------|--|
| 1) PBC            | Select PBC menu                            |
| 2) Power          | Power on/off                               |
| 3) Number buttons | Chapter number                             |
| 4) Display        | Display disc information                   |
| 5) Audio          | Select audio mode                          |
| 6)                | Direction buttons                          |
| 7) Setup          | Enter or exit the setup menu               |
| 8) Enter          | Enter                                      |
| 9) Console        | Enter or exit the monitor menu             |
| 10) VOL+          | Volume up                                  |
| 11) VOL-          | Volume down                                |
| 12) Title         | Title                                      |
| 13) AV-IN         | Select AV mode                             |
| 14) Disc Info     | Enter or exit the play menu                |
| 15) Slow          | Slow player (2/1, 4/1, 8/1, 16/1)          |
| 16) Program       | Program                                    |
| 17) Mute          | Sound mute                                 |
| 18) Repeat        | Select play mode (cycle or random)         |
| 19) Zoom          | Zoom                                       |
| 20)               | Play/pause                                 |
| 21) FM            | FM Audio Output                            |
| 22)               | Fast forward                               |
| 23)               | Fast backward                              |
| 24)               | Return to the previous chapter on the disc |
| 25)               | Advance to the next chapter on disc        |



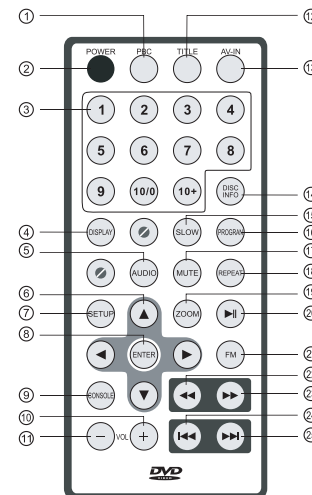
**UTILISATION**

- 1) Allumer / Eteindre
- 2) Lecture / pause
- 3) Arrêt
- 4) Précédent
- 5) Bouton d'ouverture du moniteur
- 6) Suivant
- 7) Augmentation analogique
- 8) Diminution analogique
- 9) Menu
- 10) Fenêtre de réception IR
- 11) Fenêtre de réception télécommande
- 12) Ecran LCD couleur
- 13) Support métallique ajustable
- 14) Couvercle
- 15) Lecteur DVD



**TELECOMMANDE**

- |                   |   |
|-------------------|---|
| 1) PBC            | Sélectionne le menu PBC                             |
| 2) Alimentation   | Allumer / Eteindre                                  |
| 3) Pavé numérique | Numéro de chapitre                                  |
| 4) Affichage      | Affiche les informations disque                     |
| 5) Audio          | Sélectionne le mode audio                           |
| 6)                | Boutons directionnels                               |
| 7) Réglage        | Accède ou sort du menu réglage                      |
| 8) Entrée         | Entrée  |
| 9) Console        | Accède ou sort du menu réglage                      |
| 10) VOL +         | Augmentation volume                                 |
| 11) VOL -         | Diminution volume                                   |
| 12) Titre         | Titre   |
| 13) AV-IN         | Sélectionne le mode AV                              |
| 14) Info disque   | Accède ou sort du menu lecture                      |
| 15) Ralenti       | Lecture ralentie (2/1, 4/1, 8/1, 16/1)              |
| 16) Programme     | Programme   |
| 17) Muet          | Coupe le son  |
| 18) Répétition    | Sélectionne le mode de lecture (cycle ou aléatoire) |
| 19) Zoom          | Zoom  |
| 20)               | Lecture / pause                                     |
| 21) FM            | Sortie Audio FM                                     |
| 22)               | Avance rapide                                       |
| 23)               | Retour rapide                                       |
| 24)               | Retourne au précédent chapitre du disque            |
| 25)               | Avance au chapitre suivant du disque                |

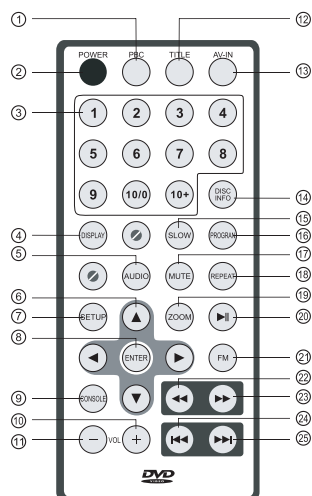
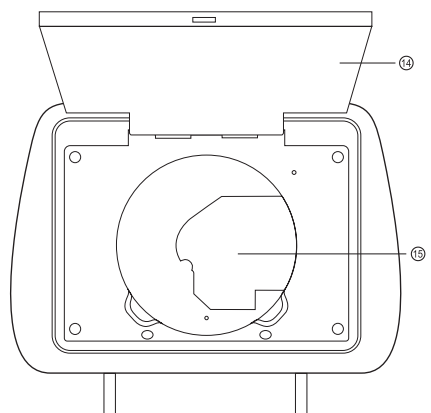
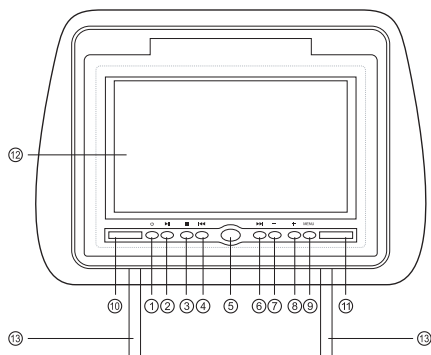


## BEDIENUNG

- 1) Ein/Aus
- 2) Wiedergabe/Pause
- 3) Stopp
- 4) Zurück
- 5) Monitor öffnen
- 6) Vor
- 7) Analog verringern
- 8) Analog erhöhen
- 9) Menü
- 10) IR-Sensor
- 11) Sensor für Fernbedienung
- 12) Farb-LCD-Display
- 13) Verstellbares Metallrohr
- 14) Abdeckung
- 15) DVD-Antrieb

## FERNBEDIENUNG

- |                  |  |
|------------------|--|
| 1) PBC           | PBC Menü wählen                                    |
| 2) Power         | Ein-/Ausschalten                                   |
| 3) Nummerntasten | Nummer wählen                                      |
| 4) Display       | Disc-Informationen anzeigen                        |
| 5) Audio         | Audiomodus wählen                                  |
| 6)               | Richtungstasten                                    |
| 7) Setup         | Einstellungsmenü aufrufen oder schließen           |
| 8) Enter         | Bestätigen   |
| 9) Console       | Einstellungsmenü aufrufen oder schließen           |
| 10) VOL+         | Lautstärke erhöhen                                 |
| 11) VOL-         | Lautstärke verringern                              |
| 12) Title        | Titel  |
| 13) AV-IN        | AV-Modus wählen                                    |
| 14) Disc Info    | Wiedergabemenü aufrufen oder schließen             |
| 15) Slow         | Verlangsamte Wiedergabe (2/1, 4/1, 8/1, 16/1)      |
| 16) Program      | Programm   |
| 17) Mute         | Ton stummschalten                                  |
| 18) Repeat       | Wiedergabemodus wählen (wiederholen oder zufällig) |
| 19) Zoom         | Zoom   |
| 20)              | Wiedergabe/Pause                                   |
| 21) FM           | FM-Audioausgang                                    |
| 22)              | Schneller Vorlauf                                  |
| 23)              | Schneller Rücklauf                                 |
| 24)              | Zurück zum vorherigen Kapitel der Disc             |
| 25)              | Weiter zum nächsten Kapitel der Disc               |

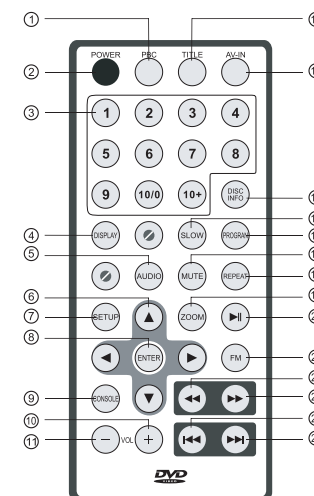
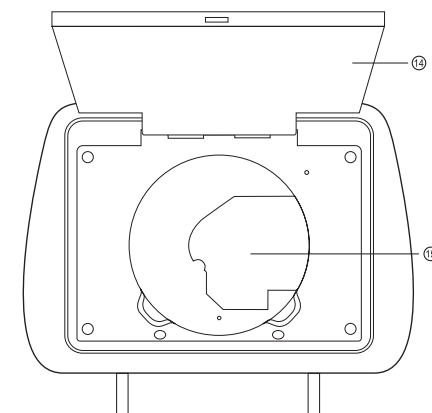
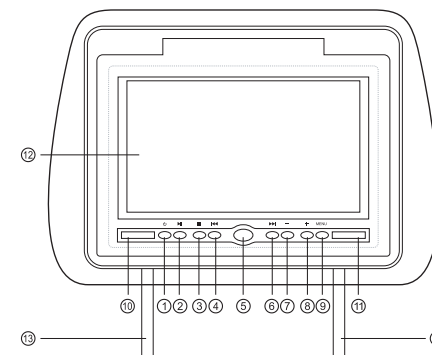


## UTILIZZO

- 1) Interruttore on/off
- 2) Riproduzione/pausa
- 3) Stop
- 4) Precedente
- 5) Tasto apertura monitor
- 6) Successivo
- 7) Diminuzione analogico
- 8) Aumento analogico
- 9) Menu
- 10) Cellula a infrarossi
- 11) Cellula del telecomando
- 12) Schermo LCD a colori
- 13) Tubo regolabile in acciaio
- 14) Coperchio
- 15) Lettore DVD

## TELECOMANDO

- |                   |   |
|-------------------|---|
| 1) PBC            | Seleziona menu PBC  |
| 2) Power          | Interruttore on/off                                       |
| 3) Tasti numerici | Numero capitolo   |
| 4) Display        | Visualizza informazioni disco                             |
| 5) Audio          | Seleziona modalità audio                                  |
| 6)                | Tasti direzionali   |
| 7) Setup          | Accede a o abbandona il menu impostazioni                 |
| 8) Enter          | Conferma  |
| 9) Console        | Accede a o abbandona il menu impostazioni                 |
| 10) VOL+          | Aumenta il volume   |
| 11) VOL-          | Diminuisce il volume                                      |
| 12) Title         | Titolo  |
| 13) AV-IN         | Seleziona modalità AV                                     |
| 14) Disc Info     | Accede a o abbandona il menu riproduzione                 |
| 15) Slow          | Riproduzione rallentata (2/1, 4/1, 8/1, 16/1)             |
| 16) Program       | Programma   |
| 17) Mute          | Silenziamento audio                                       |
| 18) Repeat        | Seleziona la modalità di riproduzione (ciclica o casuale) |
| 19) Zoom          | Zoom  |
| 20)               | Riproduzione/pausa  |
| 21) FM            | Uscita audio FM   |
| 22)               | Avanti veloce   |
| 23)               | Indietro veloce   |
| 24)               | Torna al capitolo precedente sul disco                    |
| 25)               | Passa al capitolo successivo sul disco                    |

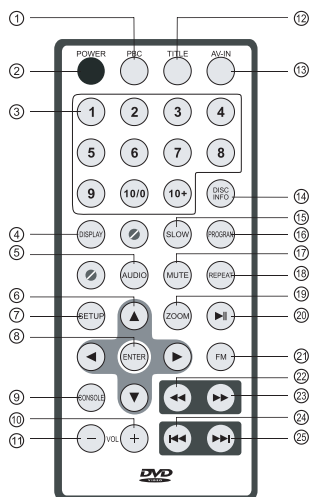
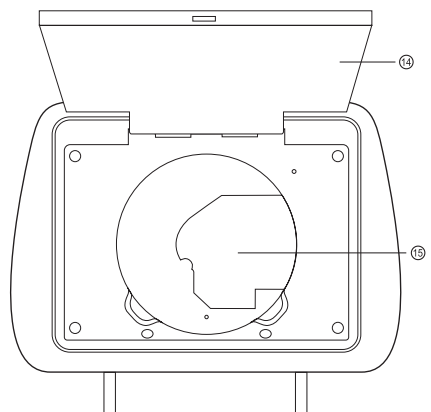
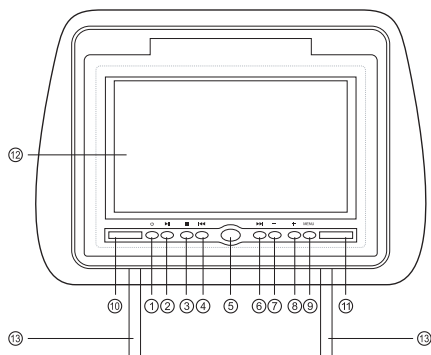


## FUNCIONAMIENTO

- 1) Encender/apagar
- 2) Reproducir/pausar
- 3) Detener
- 4) Anterior
- 5) Botón de apertura del monitor
- 6) Siguiente
- 7) Decremento análogo
- 8) Aumento análogo
- 9) Menú
- 10) Ojo infrarrojo
- 11) Ojo del control remoto
- 12) Pantalla LCD a color
- 13) Tubo de acero ajustable
- 14) Tapa
- 15) Unidad DVD

## CONTROL REMOTO

- |                     |   |
|---------------------|---|
| 1) PBC              | Seleccionar menú PBC                                    |
| 2) Power            | Encender/apagar   |
| 3) Teclado numérico | Número de capítulo                                      |
| 4) Display          | Mostrar la información del disco                        |
| 5) Audio            | Seleccionar modo de audio                               |
| 6)                  | Botones de dirección                                    |
| 7) Setup            | Entrar o salir del menú de configuración                |
| 8) Enter            | Entrar  |
| 9) Console          | Entrar o salir del menú de configuración                |
| 10) VOL+            | Subir el volumen  |
| 11) VOL-            | Bajar el volumen  |
| 12) Title           | Título  |
| 13) AV-IN           | Seleccionar el modo de AV                               |
| 14) Disc Info       | Entrar o salir del menú de reproducción                 |
| 15) Slow            | Reproducción lenta (2/1, 4/1, 8/1, 16/1)                |
| 16) Program         | Programa  |
| 17) Mute            | Silenciar el sonido                                     |
| 18) Repeat          | Seleccionar el modo de reproducción (ciclo o aleatorio) |
| 19) Zoom            | Zoom  |
| 20)                 | Reproducción/pausa                                      |
| 21) FM              | Salida de audio FM                                      |
| 22)                 | Avance rápido   |
| 23)                 | Retroceso rápido  |
| 24)                 | Volver al capítulo anterior del disco                   |
| 25)                 | Avanzar al siguiente capítulo del disco                 |

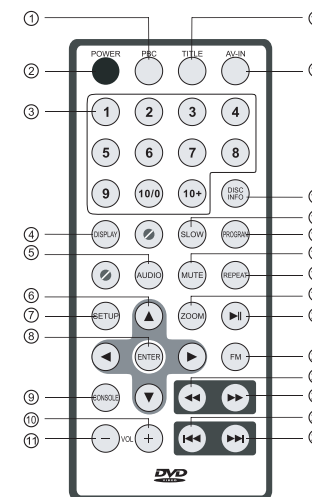
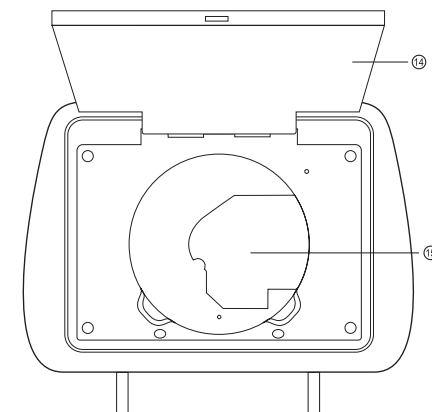
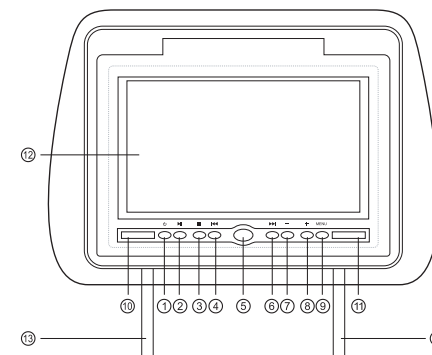


## FUNCIONAMENTO

- 1) Interruptor on/off
- 2) Reproduzir/pausa
- 3) Parar
- 4) Anterior
- 5) Botão para abrir monitor
- 6) Seguinte
- 7) Reduzir analog
- 8) Aumentar analog
- 9) Menu
- 10) Sensor IR
- 11) Sensor do controlo remoto
- 12) Ecrã LCD a cores
- 13) Tubo de aço ajustável
- 14) Tapa
- 15) Driver de DVD

## CONTROLO REMOTO

- |                     |   |
|---------------------|---|
| 1) PBC              | Seleccionar o menu PBC                              |
| 2) Power            | Interruptor on/off                                  |
| 3) Botões numerados | Numero do capitulo                                  |
| 4) Display          | Mostrar informação do disco                         |
| 5) Audio            | Seleccionar modo audio                              |
| 6)                  | Botões de direcção                                  |
| 7) Setup            | Entrar ou sair do menu de configuração              |
| 8) Enter            | Entrar  |
| 9) Console          | Entrar ou sair do menu de configuração              |
| 10) VOL+            | Subir volume  |
| 11) VOL-            | Baixar volume                                       |
| 12) Title           | Titulo  |
| 13) AV-IN           | Seleccionar modo AV                                 |
| 14) Disc Info       | Entrar ou sair do modo de reprodução                |
| 15) Slow            | Leitor lento (2/1, 4/1, 8/1, 16/1)                  |
| 16) Program         | Programa  |
| 17) Mute            | Parar o som   |
| 18) Repeat          | Selecione o modo de reproduzir (ciclo ou aleatório) |
| 19) Zoom            | Zoom  |
| 20)                 | Reproduzir/pausa                                    |
| 21) FM              | Saída de Audio FM                                   |
| 22)                 | Avanço rápido                                       |
| 23)                 | Retrocesso rápido                                   |
| 24)                 | Voltar ao capítulo anterior no disco                |
| 25)                 | Avançar para o capítulo seguinte no disco           |

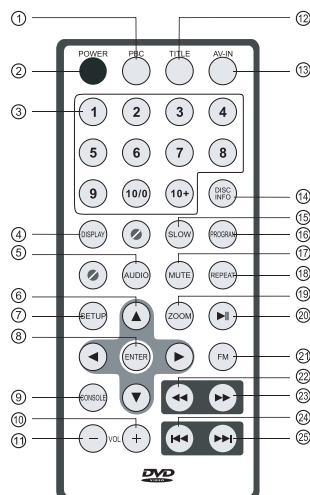
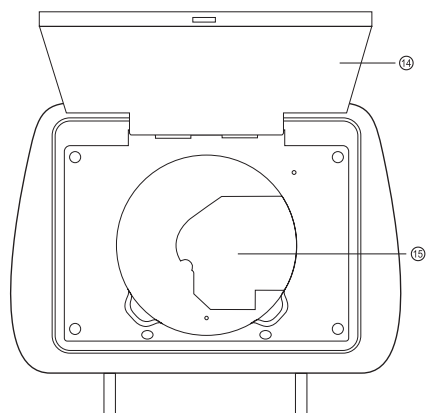
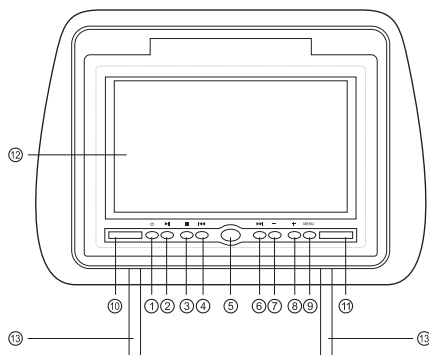


**Användning**

- 1) Kraft på/av
- 2) Spela/paus
- 3) Stopp
- 4) Förgående
- 5) Monitor öppna knapp
- 6) Nästa
- 7) Analog minskning
- 8) Analog ökning
- 9) Meny
- 10) IR öga
- 11) Fjärrkontroll öga
- 12) Färg LCD skärm
- 13) Anpassa stål rör
- 14) Täcke
- 15) DVD station

**Fjärrkontroll**

- |                  |  |
|------------------|--|
| 1) PBC           | Välj PBC meny                              |
| 2) Power         | Kraft på/av                                |
| 3) Numer knappar | Kapitel nummer                             |
| 4) Display       | Skärm disk information                     |
| 5) Audio         | Välj ljud läge                             |
| 6)               | Riktningknapp                              |
| 7) Setup         | In eller lämna inställningar meny          |
| 8) Enter         | In   |
| 9) Console       | In eller lämna inställningar meny          |
| 10) VOL+         | Volym upp                                  |
| 11) VOL-         | Volym ner                                  |
| 12) Title        | Titel                                      |
| 13) AV-IN        | Välj AV läge                               |
| 14) Disc Info    | In eller lämna spel meny                   |
| 15) Slow         | Sakta spel (2/1, 4/1, 8/1, 16/1)           |
| 16) Program      | Program                                    |
| 17) Mute         | Ljud av                                    |
| 18) Repeat       | Välj Spela läge (cykel eller slumpmässigt) |
| 19) Zoom         | Zoom                                       |
| 20)              | Spela/paus                                 |
| 21) FM           | FM Ljud utgång                             |
| 22)              | Snabbt framåt                              |
| 23)              | Snabbt bakåt                               |
| 24)              | Återgå till föregående kapitel på disk     |
| 25)              | Avancera till nästa kapitel på disk        |

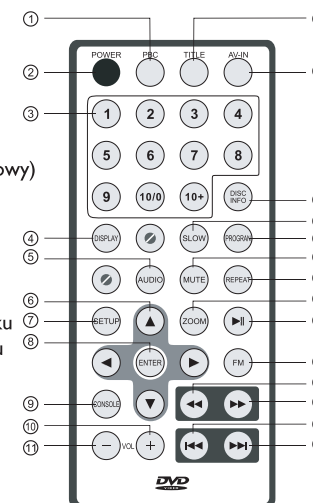
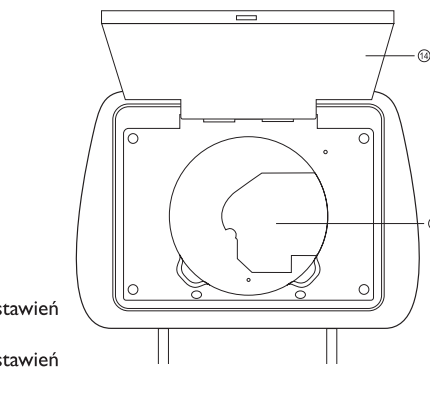
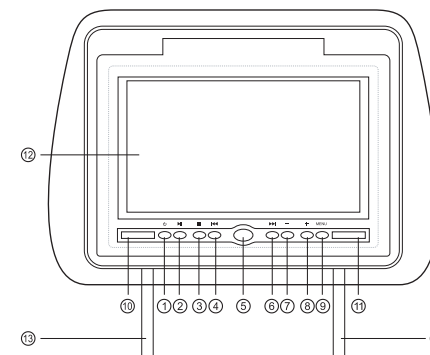


**OBŚLUGA**

- 1) Włącznik/wyłącznik
- 2) Odtwarzanie/pauza
- 3) Stop
- 4) Do tyłu
- 5) Przycisk otwierania monitora
- 6) Do przodu
- 7) Dźwięk analogowy w górę
- 8) Dźwięk analogowy w dół
- 9) Menu
- 10) Sensor IR
- 11) Sensor pilota zdalnego sterowania
- 12) Kolorowy ekran LCD
- 13) Regulowana stalowa rurka
- 14) Pokrywa
- 15) Napęd DVD

**PILOT ZDALNEGO STEROWANIA**

- |                         |  |
|-------------------------|--|
| 1) PBC                  | Wybierz menu PBC                             |
| 2) Power                | Włącznik/wyłącznik                           |
| 3) Przyciski numeryczne | Numer rozdziału                              |
| 4) Display              | Wyświetlacz                                  |
| 5) Audio                | Audio  |
| 6)                      | Przyciski                                    |
| 7) Setup                | Wejść lub wyjdź z menu ustawień              |
| 8) Enter                | Zatwierdź                                    |
| 9) Console              | Wejść lub wyjdź z menu ustawień              |
| 10) VOL+                | Zwiększenie głośności                        |
| 11) VOL-                | Zmniejszenie głośności                       |
| 12) Title               | Tytuł  |
| 13) AV-IN               | Wybierz tryb AV                              |
| 14) Disc Info           | Wejść lub wyjdź z menu odtwarzania           |
| 15) Slow                | Zwolnione tempo (2/1, 4/1, 8/1, 16/1)        |
| 16) Program             | Program                                      |
| 17) Mute                | Wyciszenie                                   |
| 18) Repeat              | Wybierz tryb odtwarzania (ciągły lub losowy) |
| 19) Zoom                | Zoom   |
| 20)                     | Odtwarzanie/pauza                            |
| 21) FM                  | Wyjście FM Audio                             |
| 22)                     | Szybkie przewijanie do przodu                |
| 23)                     | Szybkie przewijanie do tyłu                  |
| 24)                     | Wróć do poprzedniego rozdziału na dysku      |
| 25)                     | Przejdź do następnego rozdziału na dysku     |



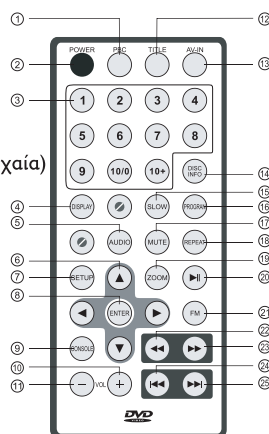
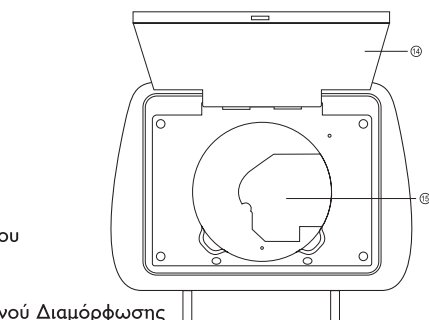
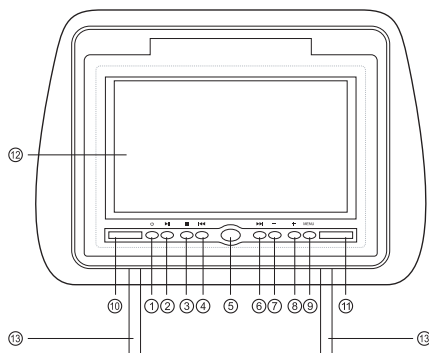


**ΛΕΙΤΟΥΡΓΙΕΣ**

- 1) Τροφοδοσία On/Off
- 2) Αναπαραγωγή/Παύση
- 3) Στοπ
- 4) Προηγούμενο
- 5) Πλήκτρο Εκκίνησης της Οθόνης
- 6) Επόμενο
- 7) Αναλογική Μείωση
- 8) Αναλογική Αύξηση
- 9) Μενού
- 10) Μάτι IR
- 11) Μάτι Τηλε-χειριστήριο
- 12) Έγχρωμη Οθόνη LCD
- 13) Προσαρμόσιμος Ατσαλένιος Σωλήνας
- 14) Κάλυμα
- 15) Οδηγός DVD

**ΤΗΛΕ-ΧΕΙΡΙΣΤΗΡΙΟ**

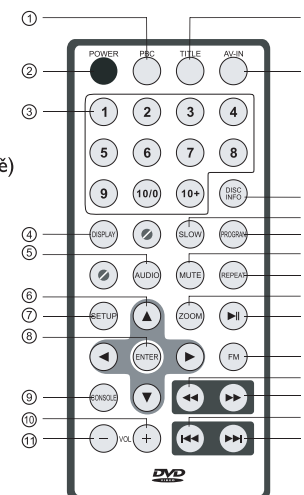
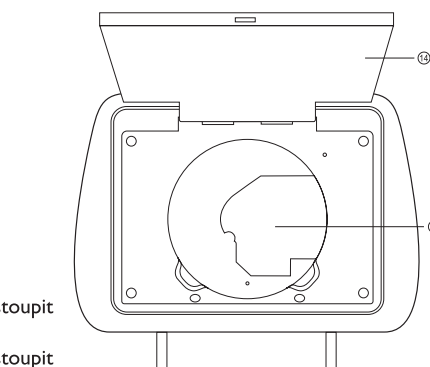
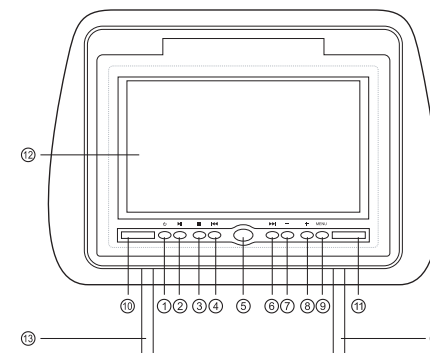
- |                       |  |
|-----------------------|--|
| 1) PBC                | Επιλογή Μενού PBC                                  |
| 2) Ποψεσ              | Τροφοδοσία On/Off                                  |
| 3) Αριθμημένα Πλήκτρα |  |
| 4) Διττημας           | Εμφάνιση Πληροφοριών Δίσκου                        |
| 5) Αφδιο              | Επιλογή κατάστασης ήχου                            |
| 6) < >                | Πλήκτρα Κατεύθυνσης                                |
| 7) Τευφπ              | Είσοδος ή Έξοδος από το Μενού Διαμόρφωσης          |
| 8) Εξυεσ              | Είσοδος  |
| 9) Γοξτομε            | Είσοδος ή Έξοδος από το Μενού Διαμόρφωσης          |
| 10) VOL+              | Ένταση δυναμώνει                                   |
| 11) VOL-              | Ένταση μειώνει                                     |
| 12) Υιμνε             | Τίτλος   |
| 13) AV-IN             | Επιλογή Κατάστασης AV                              |
| 14) Διτυ Ιξοξ         | Είσοδος ή Έξοδος στο Μενού αναπαραγωγής            |
| 15) Τιμοψ             | Αργή Αναπαραγωγή (2/I, 4/I, 8/I, 16/I)             |
| 16) Πσοησαν           | Πρόγραμμα  |
| 17) Νφνε              | Απομόνωση του Ήχου                                 |
| 18) Σεπεαυ            | Επιλογή κατάστασης αναπαραγωγής (κυκλική η τυχαία) |
| 19) οον               | Εστίαση  |
| 20) >>>               | Αναπαραγωγή/Παύση                                  |
| 21) FM                | FM Ηχητική Έξοδος                                  |
| 22) <<<               | Γρήγορα Μπροστά                                    |
| 23) >>>               | Γρήγορα Πίσω                                       |
| 24) <<<<              | Επιστροφή στην προηγούμενη ενότητα στο δίσκο       |
| 25) >>>>              | Προώθηση στην επόμενη ενότητα στο Δίσκο            |

**OBSLUHA**

- 1) Zapnout/vypnout
- 2) Hráť/pausa
- 3) Stop
- 4) Předchozí
- 5) Tlačítko zapnout monitor
- 6) Další
- 7) Analog snížit
- 8) Analog zvýšit
- 9) Menu
- 10) IR čidlo
- 11) Čidlo dálkového ovladače
- 12) Barevná LCD obrazovka
- 13) Nastavitelná kovová trubka
- 14) Kryt
- 15) DCD přehrávač

**DÁLKOVÝ OVLADAČ**

- |                      |  |
|----------------------|--|
| 1) PBC               | Zvolit PBC menu                                  |
| 2) Power             | Zapnout/vypnout                                  |
| 3) Číslcová tlačítka | Číslo kapitoly                                   |
| 4) Display           | Zobrazit informace o disku                       |
| 5) Audio             | Zvolit Audio režim                               |
| 6) < >               | Směrové šipky                                    |
| 7) Setup             | Menu nastavení vstoupit nebo vystoupit           |
| 8) Enter             | Potvrdit   |
| 9) Console           | Menu nastavení vstoupit nebo vystoupit           |
| 10) VOL+             | Zvýšit hlasitost                                 |
| 11) VOL-             | Snížit hlasitost                                 |
| 12) Title            | Titul  |
| 13) AV-IN            | Zvolit AV režim                                  |
| 14) Disc Info        | Menu přehrávání vstoupit nebo vystoupit          |
| 15) Slow             | Pomalou přehrávat (2/I, 4/I, 8/I, 16/I)          |
| 16) Program          | Předvolba  |
| 17) Mute             | Bez zvuku  |
| 18) Repeat           | Zvolit režim přehrávání (opakovaně nebo náhodně) |
| 19) Zoom             | Přiblížit  |
| 20) >>>              | Hráť/pausa                                       |
| 21) FM               | FM audio výstup                                  |
| 22) <<<              | Rychle dopředu                                   |
| 23) >>>              | Rychle zpět                                      |
| 24) <<<<             | Zpět na předchozí kapitolu na disku              |
| 25) >>>>             | Přeskočit na další kapitolu na disku             |












## BEDIENING

- 1) Aan/uit
- 2) Afspelen/pauze
- 3) Stop
- 4) Vorige
- 5) Monitor open toets
- 6) Volgende
- 7) Analoog afnemen
- 8) Analoog toenemen
- 9) Menu
- 10) IR oog (infrarood)
- 11) Afstandsbediening oog
- 12) Kleuren LCD scherm
- 13) Verstelbare stalen pennen
- 14) Monitor/ afschermplaat
- 15) DVD speler

## AFSTANDSBEDIENING

- |  |  |
|--|--|
| 1) PBC   | Selecteer PBC menu                               |
| 2) Power   | Aan/uit  |
| 3) Nummer toetsen  | Selecteer nummer                                 |
| 4) Display   | Geeft disc informatie weer                       |
| 5) Audio   | Selecteer audio modus                            |
| 6)   | Op/neeer/links/rechts toets                      |
| 7) Setup   | Start of verlaat het setup menu                  |
| 8) Enter   | Bevestigen                                       |
| 9) Console   | Start of verlaat het monitor menu                |
| 10) VOL+   | Volume hoger                                     |
| 11) VOL -  | Volume lager                                     |
| 12) Title  | Titel  |
| 13) AV-IN  | Selecteer AV modus                               |
| 14) Disc Info  | Start of verlaat het afspeelmenu                 |
| 15) Slow   | Vertraagd afspelen (2/1, 4/1, 8/1, 16/1)         |
| 16) Program  | Programma  |
| 17) Mute   | Geluid uit                                       |
| 18) Repeat   | Selecteer afspeelmodus                           |
| 19) Zoom   | Zoom   |
| 20)   | Afspelen/pauzeren                                |
| 21) FM   | FM Audio Uitgang                                 |
| 22)   | Versneld vooruit afspelen                        |
| 23)   | Versneld achteruit afspelen                      |
| 24)   | Keer terug naar het vorige hoofdstuk op de disc  |
| 25)   | Ga direct naar het volgende hoofdstuk op de disc |

