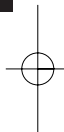


1. PANEL RELEASE BUTTON
2. MUTE BUTTON
3. AF/SUB-W BUTTON
4. TA BUTTON
5. PTY/IX BASS BUTTON
6. DISC EJECT
7. POWER BUTTON
8. ROTARY VOLUME KNOB
9. AUDIO SELECT BUTTON/ MP3 ENTER BUTTON
10. MODE BUTTON
10. AUTOMATICALLY STORE/PRESET SCAN (AS/PS)/MP3 ID3/ IPOD INFORMATION BUTTON
11. PRESET STATIONS BUTTONS (1~6)
12. PAUSE BUTTON
13. STOP BUTTON
14. REPEAT BUTTON
15. RANDOM BUTTON/DVD MENU
16. PREVIOUS FOLDER BUTTON
17. NEXT FOLDER BUTTON/ DVD AUDIO
18. DISPLAY BUTTON/ MENU BUTTON
19. BAND/MP3 SEARCH BUTTON
20. TUNING UP/DOWN, TRACK UP/DOWN BUTTONS
21. RESET BUTTON

ENGLISH



SPECIFICATIONS

GENERAL

Power Supply	DC 11 -14V
Polarity	Negative Ground
Speaker impedance	4 ohms
Power Output	4 x 70W

DVD/ CD PLAYER

System	Compact disc audio system
Usable disc	Compact disc, DVD video
Sampling frequency	44.1KHz
No of quantization bits	1bit
Frequency	20-20,000Hz
Number of channels	2 stereo
S/N Ratio	90dB

RADIO SECTION

FM

Frequency Range	87.5-108 Mhz
Usable Sensitivity	Better than 15dB at S/N 30 dB
Stereo Separation	25 dB at 1KHz
S/N Ratio	50 dB

MW

Frequency Range	522-1620 KHz
Intermediate Frequency	450KHz
Usable Sensitivity	Better than 45dB
S/N Ratio	40 dB

REMARK :

Specifications subject to change without notice.

DISC PLAY

PRECAUTIONS

- Use only in a 12-volt DC negative-ground electrical system.
- Disconnect the vehicle's negative battery terminal while mounting and connecting the unit.
- When replacing the fuse, be sure to use one with an identical amperage rating.
- Using a fuse with a higher amperage rating may cause serious damage to the unit.
- DO NOT attempt to disassemble the unit. Laser beams from the optical pickup are dangerous to the eyes.
- Make sure that pins or other objects do not get inside the unit; they may cause malfunctions, or create safety hazards such as electrical shock or laser beam exposure.
- If you have parked the car for a long time in hot or cold weather; wait until the temperature in the car become normal before operating the unit.
- Keep the volume at a level at which you can hear outside warning sounds (horns sirens, etc.).

CD NOTES

- Playing a defective or dusty CD can cause dropouts in sound.
- Hold CDs as illustrated.
- DO NOT touch the unlabeled side.
- DO NOT attach any seal, label or data protection sheet to either side of a disc.
- DO NOT expose a CD to direct sunlight or excessive heat.
- Wipe a dirty CD from the center outward with a cleaning cloth.
- Never use solvents such as benzine or alcohol.
- This unit cannot play 3-inch (8cm) CDs.
- NEVER insert a 3-inch CD contained in the adapter or an irregularly shaped CD.
- The unit may not be able to eject it, resulting in a malfunction.

BEFORE OPERATION

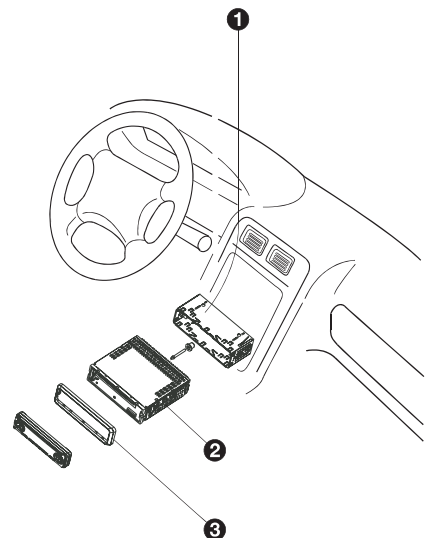
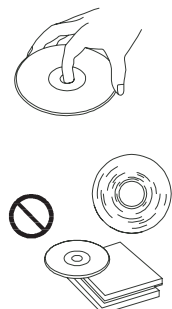
- DO NOT raise the volume level too much, as this will block outside sounds, making driving dangerous.
- Stop the car before performing any complicated operation.

CAUTION

DO NOT open covers and do not repair by yourself. Consult the dealer or an experienced technician for help.

Installation procedures

First complete the electrical connections, and then check them for correctness.



Anti-Theft System

This unit is equipped with a detachable panel. Removing this panel makes the radio totally inoperable.

Removing the panel

1. Switch off the power of the unit.
2. Remove the detachable panel (REL button).
3. Gently press the button of the case and open the cover. Place the panel into the case and take it with you when you leave the car.

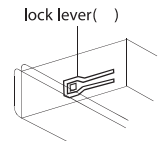
Install detachable panel

1. Fix right part of face plate in the right part of panel slot of the unit.
2. Press down the left side of the face plate until it clicks into the panel slot of the unit.

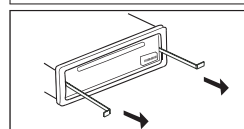
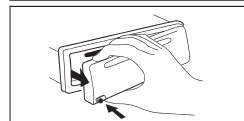
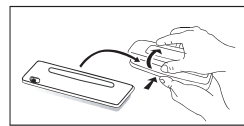
Remove the unit

Switch of the power of the unit.

1. Remove the panel and the trim plate.
2. Insert both T-Keys into hole in front of the set until they lock.
3. Pull out the unit.



1. Insert mounting bracket into the dashboard, and bend the mounting tabs out with a screwdriver. (Make sure that lock lever is flush with the mounting bracket. Not projecting outward)
2. Secure the rear of the unit After fixing mounting bolt and power connector; fix the rear of the unit to the car body by rubber cushion.
3. Insert trimplate



BASIC OPERATIONS

ON/OFF

Switch on the unit by pressing POWER button(7) or any other button on the radio (except eject) when system is on, press POWER button(7) to turn off the unit.

FACEPANEL RELEASE

Press REL button (1) to remove the facepanel.

OPEN / CLOSE THE PANEL

Press the Open button (6) to slide down (open) a closed panel or to slide up (close) an opened panel.

LOADING A CD

When the panel is in the slide down position, the disc slot becomes accessible. Insert a CD through the disc slot, the CD will be automatically loaded and the panel will also close automatically & playback will begin. If no CD is inserted, press Open button again to slide up(close) the panel.

EJECTING A CD

Press Open button (6) to slide down the panel, if a CD is loaded, it will be ejected automatically. No further key press is needed. If the ejected CD is not being removed, after 10 seconds it will be reloaded automatically. And the panel will automatically slide up after disc has been reloaded. Warning : If the ejected disc remains in the slot, the Open button will not function, so closing the panel by using Open button is prevented unless the disc is removed or reloaded.

CAUTION: A) Please always use the "OPEN" button to slide up/ down the front panel. Please never try to slide up or down the front panel manually, this will cause serious & permanent damage to the slide down mechanism, and this will void the warranty.

B) Please do not try to detach / remove the front panel (by pressing the detach button) or attach the front panel when the panel is in the slide down position. This may cause serious & permanent damage to the unit & panel. Only attach or detach the front panel when the panel is in the slide up position.

SOUND ADJUSTMENT

Press the button (2) "MUTE" momentarily to mute the audio volume, and "Mute" will flash in the display. Press the mute button again to restore volume to the previous setting.

SOURCE

Press button (9) "MODE" to switch between Tuner, CD, iPod and Aux Line-In.

DISPLAY

Press the button (18) "DISPLAY/MENU" repeatedly to select the following different

Display options:

Spectrum mode 1 -> Spectrum mode 2 -> Spectrum mode 3 -> Default Display

MENU OPERATIONS

Press the button (18) "DISPLAY/MENU" longer then 3 seconds to access the menu. Press button (8) "AUDIO" momentarily to move forward to the next option. The menu can also be navigated by using the buttons (20) Tuning Up or Tuning Down to move to the next or previous option. Once the desired option appears on the display, adjust that option by rotating the volume control within 5 seconds. The following options can be adjusted:

CONTRAST

The contrast level of the display is set at "contrast 05" by default. Rotate the volume control to adjust the contrast level from 00 to 10.

CLOCK FORMAT

This option allows selection of a 12 hour or 24 hour clock format. "CLK FORMAT 12" is the default setting. Rotate the volume button to change the 24 hour clock format.

TIME SET

The time on the clock is set to 12:00 by default. User can adjust the time by using the volume up button to adjust the minutes and volume down button to adjust the hours. NOTE: If the unit is equipped with the optional RDS function, the clock will be automatically updated by the RDS broadcasting, provided if the RDS broadcast does include the clock information (RDS CT FUNCTION).

LOCAL/ DISTANCE SELECTOR

User can use the volume up or down button to select between local or distance mode. This feature is used to designate the strength of the signals at which the radio will stop during automatic tuning. "Distance" is the default setting, allowing the radio to stop at a broader range of signals. To set the unit to select only strong local stations during automatic tuning, use the volume control button until "local" appears in the display.

REGIONAL ON/OFF

Regional "off" will be displayed by default. The user now has 5 seconds to adjust by using volume up/down button from "off" to "on". If "on" is selected when the AF search or PI seek, it will implement to station which have all the PI codes which are the same as current station. If "off" is selected, when AF search or PI seek the regional code in the format PI code will be ignored. A regional station is possible to be received.

NOTE: The regional function on/off setting is valid when "AF" function is "on".



INTER AMPLIFIER ON/OFF (INTER AMP)

This is an option selection for users to turn the unit's built in Amplifier system on or off. The default is "off", this is useful for users if an external amplifier is connected and you don't want audio output of the built in amplifier system.

PROGRAMMABLE TURN-ON VOLUME (VOL PGM)

This option allows selection of the volume level, the radio will automatically assume when turning on. "Vol PGM 12" is the default setting, which will turn on the radio at the volume level as adjust in the VOL PGM. To program a specific turn on volume level, use the volume control button to select "Volume Level" within 5 seconds.

BEEP TONE

The beep tone feature allows the selection of an audible beep tone when a button is pressed. "Beep tone on" is the default setting. Use the volume up/down button to select the "Beep tone off" option.

AUDIO OPERATIONS

Press the button (8) "AUDIO" to enter the sound set up. Press button (8) "AUDIO" momentarily to move forward to the next option. The menu can also be navigated by using the buttons (20) Tuning Up or Tuning Down to move to the next or previous option. Once the desired option appears on the display, adjust that option by rotating the volume control within 5 seconds. The following options can be adjusted:

VOLUME

To increase the volume rotate the volume knob (8) clockwise, to decrease the volume rotate the volume knob counterclockwise.

SUBWOOFER (SUBWOOFER LEVEL)

Rotate the volume knob (8) to select the desired volume level from "00" to "12".

NOTE: The subwoofer level control will only appear in the Audio Menu if the "Subwoofer" function is activated and a subwoofer speaker is connected. Press button (3) "SUB-VV" to activate the subwoofer function. Press again to turn off.

SUB-W LPF (SUBWOOFER LOW PASS FILTER)

Rotate the volume knob (8) to select the desired Low Pass Filter function: Flat, 80Hz, 120Hz or 160Hz.

NOTE: The subwoofer level control will only appear in the Audio Menu if the "Subwoofer" function is activated and a subwoofer speaker is connected.

IX-BASS (IX-BASS LEVEL)

Rotate the volume knob (8) to select the desired Bass Boost function: low, mid or high.

NOTE: The iX-Bass function will only appear in the Audio Menu if the "iX-Bass" function is activated. Press button (5) "IX-BASS" to activate the iX-Bass function. Press again to turn off.

BASS (BASS LEVEL)

Rotate the volume knob (8) to select the desired Bass level from "-6" to "+6".

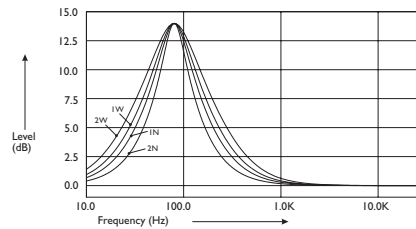
BASS-CFQ (BASS CENTER FREQUENCY)

Rotate the volume knob (8)

to select the desired Bass center Frequency to 60Hz, 80Hz, 100Hz or 200Hz.

BASS-Q (BASS Q FACTOR)

Rotate the volume knob (8) to select the desired Bass-Q Factor to 2N, 1N, 1W or 2W.



MIDDLE (MIDDLE LEVEL)

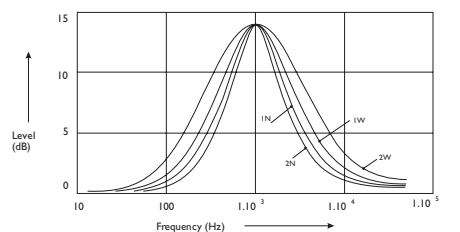
Rotate the volume knob (8) to select the desired Middle Level from "-6" to "+6".

MID-CFQ (MIDDLE CENTER FREQUENCY)

Rotate the volume knob (8) to select the desired Middle Range Center frequency to 500Hz, 1KHz, 1.5KHz or 2.5KHz.

MIDDLE-Q (MIDDLE Q FACTOR)

Rotate the volume knob (8) to select the desired Middle-Q Factor to 2N, 1N, 1W or 2W.



TREBLE

Rotate the volume knob (8) to select the desired Treble level from "-6" to "+6".

TRE-CFQ (TREBLE CENTER FREQUENCY)

Rotate the volume knob (8) to select the desired Treble center Frequency to 10KHz, 12.5KHz, 15KHz or 17.5KHz.

BALANCE

Rotate the volume knob (8) to adjust the Balance between the right and left speakers from R12 (full right) to L12 (full left).

FADER

Rotate the volume knob (8) to adjust the Fader between the front and rear speakers from R12 (full rear) to F12 (full front).

RADIO OPERATIONS

BAND SELECTION

At tuner mode, press button (19) "BAND" shortly to select the desired band. The reception band will change in the following order: FM1, FM2, FM3 and MW

STATION SELECTION

Press up or down button (20) shortly to activate automatic seek function. Press for 2 seconds until "MANUAL" appeared on the display, the manual tuning Mode is selected. If the buttons are not touched for more than 3 seconds it automatic goes back to "AUTO SEEK"

AUTOSTORE AS

-Automatic Memory Storing
Press func button (10) "AS/PS" longer than three seconds, activate AS. The radio searches for the 6 strongest stations and stores them into the preset of the currently selected band. **NOTE:** Any stations that were previously stored in this memory bank are replaced by a new station.

PRESET SCAN PS

Press func button (10) "AS/PS" for less than three seconds. The unit will pause for ten seconds at each preset station. Press button (10) "AS/PS" again to stop scanning when the desired station is reached.

Station store and recall

Press any one of the preset buttons (12 to 17) to recall a station which had been stored in the memory. Press a preset button for 2 seconds, previous preset station is overwritten by current tuned frequency.

RDS (RADIO DATA SYSTEM) OPERATIONS

The RDS data are the PI, PS, TP, PTY, TA and AF data.

PI: Program identification code

Code for identifying program

PS: Program service name

Broadcast station name data expressed

In alphanumeric character

TP: Traffic program identification

Identification data for traffic information broadcasting station

TA: Traffic announcement identification

Identification data showing traffic information is being transmitted or not

AF: Alternative frequencies

Frequency list of broadcasting station transmitting the same program

SETTING AF MODE

Press button (3) AF for less than three seconds to select AF to be ON or OFF. Whenever AF is switched on, symbol "AF" appears on the display.

The tuner will return to Alternative Frequencies whenever the reception signals getting worse. "ALARM" will be displayed when an emergency broadcasting is received; meanwhile sound output level will be adjusted to the preset output level automatically when the volume control is set at minimum.

USING PTY TO SELECT PROGRAM

The PTY function allows you to search for stations with a particular program type. To select your program type, press the button (5) "PTY" less than three seconds. Display will show: "pop music" or "news. Now you can select the music type or speech type using preset keys 1 to 6 for your selection as listed table:

Preset number	PTY "pop" group	PTY in "news" group
1	pop m, rock m	news, affairs, info
2	easy m, light m	sport, educatie, drama
3	classics, other m	culture, science, varied
4	jazz, country	weather, finance, children
5	nation m, oldies	social, religion, phone in
6	folk m	travel, leisure, document

While selecting PTY engagement, its selection is implemented by preset button as described in notes. When PTY is selected, the radio starts to search corresponding PTY information is detected. If corresponding PTY information is not found, normal radio reception is resumed. After the text "NON PTY" is at the display for 5 seconds.

LISTENING TO TRAFFIC ANNOUNCEMENT (TA)

Traffic announcement can interrupt CD play or radio listening when broadcast. Briefly press the button (4) "TA" to select the TA mode on or off. When TA mode is on, you will hear the traffic announcement when broadcast. During traffic announcement, you can interrupt it by short press of TA button (4). Without switching off the TA mode. By doing so, the set will return to the previous operating mode. Long press on TA button (4) allows ON/OFF selection of EONTA LOCAL/EONTA DX. EONTA LOCAL will only allow traffic announcement from strong station to come through. EONTA DX selection will allow all received announcements to interrupt CD play or radio listening.

DUAL ZONE OPERATION

This unit is equipped with the advance feature "Dual zone". This function is useful if the user want to select different modes of the audio output source for Front and Rear speakers. The details operation as follow;

ON/ OFF OPERATION

- "Off" is the default setting.
- Short press the "2-zone" button on the control pannel or remote control to switch between Dual zone on or off. The "2-zone" icon will appear on the LCD after Dual Zone is selected "on".

TO SELECT FRONT/ REAR SOURCES

- Once "on" is selected, short press the "AUDIO" button repeatedly to change between the F-zone (front) and the R-zone (rear) sources.
- If front zone "F-zone" is selected, user has 10 seconds to navigate through different modes by using the volume button.

- Tuner> DVD> iPod> AV-I are available for selection for front speakers audio output.
- If rear zone "R-zone" is selected, user has 10 seconds to navigate through different modes by using the volume button.
 - Turner> DVD. iPod> AV-I are available for selection for rear speakers audio output.
 - If no selection is being made within 5 seconds, the unit will resume to the previous mode.

TO OPERATE FUNCTION OF FRONT/ REAR SOURCES

- The front panel and remote control, is defaulted to control the front source's function/ operation.
- When "dual zone" is turned "on", the "mode" button is used to change between the front source and rear source. Press mode button repeatedly to change between front and rear mode.
- The LCD will display the rear source mode for 10 seconds. User has 10 seconds to make the operation on the rear source's function on front panel or remote.
- The LCD display will automatically switch back to the front source after 10 seconds. And the front panel and remote now are resumed to operate for front source's function again.

THE DEFAULT SETTING WHEN DUAL ZONE IS "ON"

- When "dual zone" is turned on, the audio output will be muted for about 1 second.
- The default source / mode for front zone is "tuner" and for rear zone is "DVD"
- The default volume level is "12" for both front and rear zone audio output. (Or the volume level set as "VOL PGM" level set in the menu).
- The LCD display is defaulted to display the front mode.
- When dual zone is "on", some of the AUDIO FUNCTION WILL NOT BE FUNCTIONAL, THESE FUNCTION ARE: Bass/ treble/ middle/ balance/ fader/ sub-woofer/ iX-bass/ 3D Gain.

THE DEFAULT SETTING WHEN DUAL ZONE IS "OFF"

- the default audio output reverts to what the user selected for the "front zone" source when dual zone is "on". For example: When the dual zone is "on", user has selected DVD for front zone and tuner for rear zone. Once dual zone is turned "off", audio output for all 4 speakers become "DVD" mode.

CD OPERATIONS

This CD player is suitable for 12cm disc, do not use irregular shaped CD.

SELECT TRACKS

During CD operations, press button (20) "▶▶" for next track. Press button (20) "◀◀" for previous track. Track number shows on display.

During CD operation, hold button (20) "▶▶" for fast forward. Hold button (20) "◀◀" for fast reverse. Cd will start from when you release the button.

PAUSE

Press button (12) "▶/||" to pause the CD player. Press it again to resume play.

REPEAT THE SAME TRACK

Press button (14) "RPT" to continuously repeat the same track. Press it again to stop repeat.

SCAN TRACKS

Press button (13) "INT" to play first several seconds of each track of current CD. Press again to stop intro and listen to track.

PLAY TRACKS IN RANDOM

Press button (15) "RDM" to play all tracks on CD in random order. Press again to cancel the function.

EJECT

Press button (6) "▲" to stop playing and eject the CD.

PLAYING A CD-R/RW

Depending on the type of CD-R/RW CD, surface condition of the CD, as well as writer, certain CD-R/RW CD may not operate normally on this unit.

MP3 FUNCTION

How to select MP3 files

1. SEARCHING TRACK NUMBER

Press button (19) BAND, the display shows "Number". Rotate the volume knob (8) to select the desired track number, press the volume knob (8) to confirm and the selected track will be played.

2. SEARCHING BY FOLDER/FILES

Press button (19) BAND twice, the display shows "Navigate". Rotate the volume knob (8) to navigate through all folders and sub-folders on the disc. The folder names will be displayed. Press the volume knob (8) longer then 3 seconds to play the first track in the folder. Press the volume knob (8) for less then 3 seconds to access the sub-folders or tracks. Rotate the volume knob (8) to navigate, then press the volume knob to confirm the sub-folder or the track begins to play. Press button (10) AS/PS or rotate the volume knob counterclockwise during navigation search to move back to the last upper level of a folder.

3. NAVIGATING THROUGH DIRECTORY BY USING PREVIOUS/NEXT FOLDER (M5/M6) BUTTONS

Press next folder (M6) or previous folder (M5) buttons to skip in the current directory. On a multi-level directories CD, the movement will take place at the current level until last folder is reached. At this point press previous folder (5) again, it will move to the next level or directory

ID3 INFORMATION DISPLAY

If any MP3 file is available with ID3 TAG, the following ID3 information: Album title -> Track title -> Artist title will be displayed and automatically scrolling through the display while the file is playing. Press button (10) "AS/PS" repeatedly to view the ID3 tag information manually.

IPOD OPERATIONS

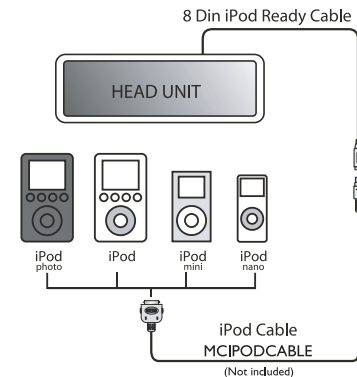
This unit is equipped with iPod Ready function. The user has direct control of the iPod on the front panel.

CONNECT THE IPOD

IPOD COMPATIBILITY CHART

This unit supports the following iPod software versions:

iPod 1G	Not supported
iPod 2G	Not supported
iPod 3G	Firmware version 2.2
iPod Mini	All versions
iPod 4G	All versions
iPod Photo	All versions
iPod Nano	All versions
iPod 5G(video)	All versions



ABOUT VIDEO FILE

This unit can support iPod video display output feature, however it is NOT ABLE to select any VIDEO FILE OR VIDEO ALBUM in the iPod video. This unit will only automatically select a music album or file regardless the connected video iPod last playing is a video file or album. If you want to select and play a video file on the iPod video, long press "AS/PS" button for more than 3 seconds to de-activate the front panel control iPod feature. After the LCD display "iPod video", the iPod now is controllable and you can select the desired video file on iPod itself. Once selected a video it will automatically display on the unit through the video output.

TURNING IPOD POWER ON AND OFF

The iPod power turns automatically on when it is connected to the 30 Pin connector and as long as the vehicle's ignition is turned ON. The iPod power can be turned OFF by removing the iPod from the 30 Pins connector or the vehicle's ignition is turned OFF. The iPod will go into the pause mode and goes into sleep mode about 2 minutes later. **NOTE:** While the iPod is connected, the power cannot be turned ON or OFF from the iPod itself.

IPOD BATTERY CHARGING

The iPod will automatically start recharging as long as the vehicle's ignition key is turned to ACC or ON.

SWITCH TO IPOD MODE

When the Headunit is ON and the iPod is connected to the 30 pin connector, press button (9) "MODE" to change to iPod mode and the unit will display "iPod" for a while. The headunit will start reading the music files on the iPod and the playback will automatically start. Press button (9) "MODE" repeatedly to change to other modes or switch back to iPod mode.

IPOD INFORMATION ON THE HEADUNIT DISPLAY

Press button (10) "AS/PS" repeatedly while the iPod song is playing, the unit will display: Song -> Artist -> Album name -> Elapsed time

SEARCHING A DESIRE SONG

Press button (19) "BAND" to go into the iPod searching Mode. Pressing button (19) "BAND" repeatedly to access the following searching methods: 1. Playlist -> 2. Artist -> 3. Album -> 4. Song -> 5. Genre. Press within 10 seconds button (8) to confirm and access the searching mode, then rotate button (8) volume knob to navigate through the Album, Artist or Song list on the iPod. Press button (8) to confirm and play the selected song. Press button (10) "AS/PS" during the searching mode as quick move back to the last upper level of Album, Playlist, Genre etc.

SONG SELECT

During iPod operations, press button (20) "▶▶" for next track. Press button (20)

“⏮” for previous track. Tracknumber shows on display.

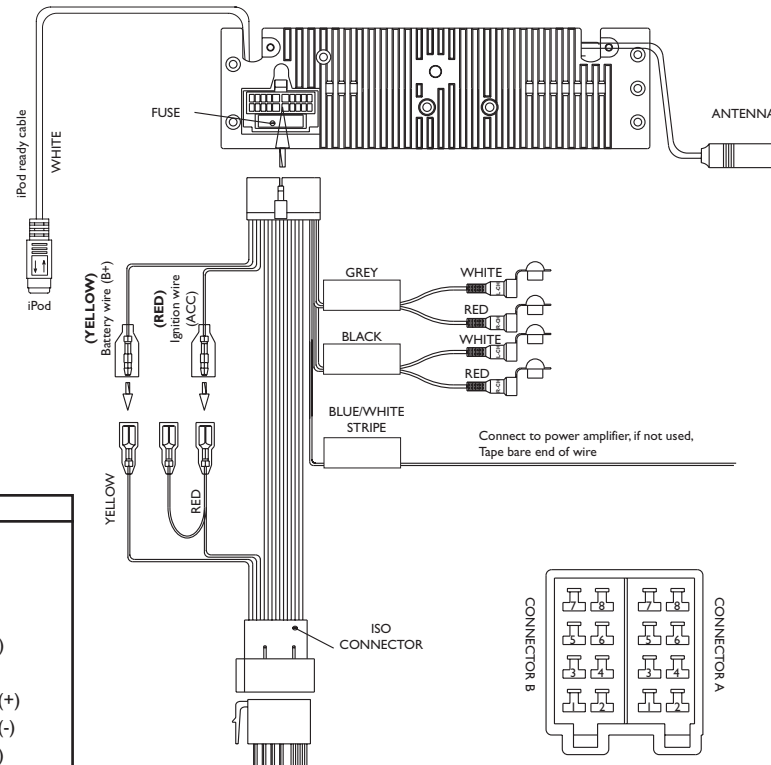
During iPod operation, hold button (20) “⏭” for fast forward. Hold button (20) “⏮” for fast reverse. iPod song will starts play from when you release the button.

SONG REPEAT/REPEAT ALL

Press button (14) “RPT” to continuously repeat the same track. Press it again to stop repeat. Press button (14) “RPT” for more then 3 seconds to repeat all songs of the current album.

SHUFFLE PLAY/SHUFFLE ALBUM

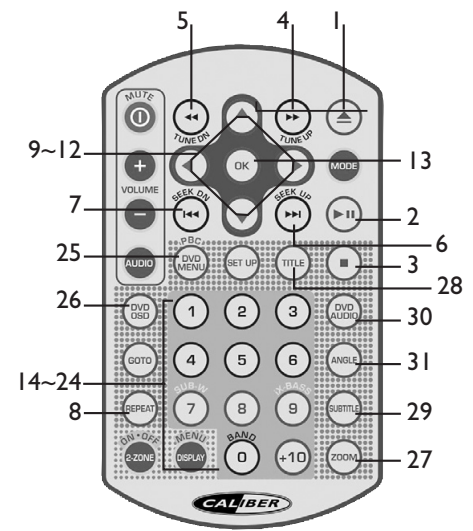
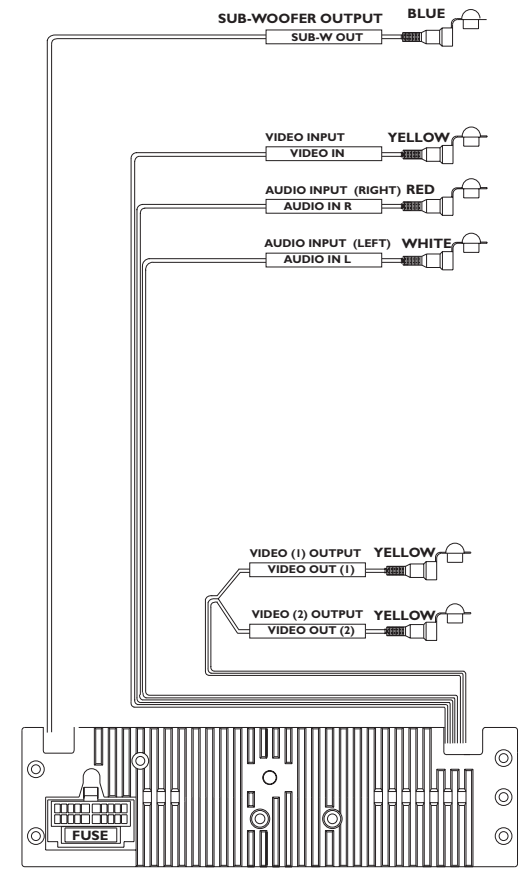
Press button (15) “RDM” to play all songs in random order. Press again to cancel the function. Press button (15) “RDM” for more then 3 seconds to play all songs of the current album in random order. Press again to cancel the function.



PIN	WIRE COLOR	FUNCTION
A4	YELLOW	BATTERY (+)
A5	BLUE	POWER ANTENNA
A7	RED	IGNITION (ACC)
A8	BLACK	GROUND
B1	VIOLET	RIGHT REAR SPEAKER(+)
B2	VIOLET/ BLACK	RIGHT REAR SPEAKER(-)
B3	GREY	RIGHT FRONT SPEAKER(+)
B4	GREY/ BLACK	RIGHT FRONT SPEAKER(-)
B5	WHITE	LEFT FRONT SPEAKER(+)
B6	WHITE/ BLACK	LEFT FRONT SPEAKER(-)
B7	GREEN	LEFT REAR SPEAKER(+)
B8	GREEN/ BLACK	LEFT REAR SPEAKER(-)



DVD OPERATION
DVD OPERATION - REMOTE CONTROL



- | | |
|----------------------------------|------------------------|
| 1. EJECT | 13. OK |
| 2. PLAY/PAUSE | 14-24. NUMERIC BUTTONS |
| 3. STOP | 25. DVD MENU/PBC |
| 4. FAST FORWARD | 26. OSD BUTTON |
| 5. FAST BACKWARD | 27. ZOOM |
| 6. NEXT | 28. TITLE |
| 7. BACK | 29. SUBTITLE |
| 8. REPEAT | 30. DVD AUDIO |
| 9-12. UP/DOWN LEFT/RIGHT BUTTONS | 31. ANGLE |

BASIC OPERATIONS

EJECT
 Press the EJECT button (1) to eject the disc or loading the disc.

PLAY/PAUSE
 Play: Press the PLAY button (2) to resume the disc when the unit is under the stop mode.
 Pause: Pause the disc that is currently playing.

STOP
 Press button (3) to stop the current disc playing.

FAST FORWARD/ FAST BACKWARD
 Press the (4) or (5) button to forward or rewind with each press of the or buttons. You can view the disc at various speed. There are 4 speed levels for DVD discs in FWD/REW: x2, x4, x16, x100. There are 3 speed levels for disc types other than DVD disc: x2, x4, x8.
 Press PLAY to resume at normal speed.

NEXT
 When the NEXT button(6) is pressed, the unit will automatically jump to the next chapter or track.

BACK
 When the BACK button(6) is pressed, the unit will automatically jump to the previous chapter or track.

REPEAT
 Press the REPEAT button to repeat the whole disc or a specific track/chapter of the disc.
 Press the REPEAT button to switch between different repeat modes.

UP/ DOWN AND LEFT/ RIGHT
 Use these buttons (9-12) to move cursor UP/ DOWN and LEFT/ RIGHT.

OK
 Use this button (13) to confirm the selection.

NUMERIC BUTTONS
 Use (14-24) when function need numeric selection or input, like in the GOTO function.

DVD MENU
 When a DVD disc is inserted in the unit:
 1. The unit will automatically start the playback from the beginning of the disc, and then the DVD MENU (25) will be brought up.
 2. Press the UP/ DOWN LEFT/ RIGHT(9-12) button to move the highlight in the MENU.
 3. Press the OK(13) button to confirm the selected item in the menu.

PBC (FOR VCD DISC ONLY)
 Some VCD and SVCD discs (especially karaoke discs) have disc menus. To select the contents that user want to view. This type of menu can also be called PBC (Playback Control) MENU.

When this type of disc is being played:
 1. When the PBC option is set ON in the "Others" settings of the Setup Menu, the disc playback will automatically start or stop at the PBC MENU picture.
 2. Press PREV and NEXT to scroll through previous/next MENU pages if available.
 3. Use the "NUMERIC" buttons to enter the number of the segment or track that you want to play. For the segment or track numbered in to digits, simply enter these two digits consecutively.
 • If you don't want to display this PBC MENU. Simply set PBC option OFF in the "Others" setting of the Setup Menu, and the PBC function will be closed. The unit will resume the disc from the beginning, without showing the PBC Menu.
 • If PBC has been turned off. To turn it on again, simply set PBC option ON in the "Others" setting of the Setup Menu to restore the PBC function. Note that after the PBC is turned on, the current track/ chapter will be stopped and the PBC MENU will be displayed.
 If no operation is performed within 10 seconds after the PBC MENU is displayed, the unit will resume the playback for the first track.

OSD BUTTON
 1. Press osd button(26) to bring up the Console Menu, please refer to the following tables for detailed Operations.
 2. The Console function/ Menu is only available in DVD/ DVD Audio/ DVD-VR/VCD discs and the available console function maybe different depending on the type of disc.



ANGLE

Press ANGLE button(31) once to bring up the angle information which will be shown on the top right corner of the screen.

Each time you press ANGLE, you can switch to another camera angle available in the disc.

SYSTEM SET UP

SET UP

Press setup key on the remote control or long press "AS/PS" button on the remote control to bring the system setup menu when the unit is under the stop/ playback mode.

- When the cursor is located at the top of the on-screen display, press LEFT/RIGHT arrow keys to switch between different pages.
- You can press the DOWN arrow key to move to the setup page, and press the UP/DOWN arrow keys to select the settings that you want to change.
- Open the selection list by pressing the right arrow key on the selected item. Change the selection by using the UP/DOWN arrow keys and enter key.

SETTING THE AUDIO LANGUAGE

Menu LANGUAGE is used to select the setup menu and OSD (on-screen display) language used during the disc playback and instructional operations. The language selection includes: English, Spanish, Greek, Swedish, Dutch, Italian and Poland.

Disc audio: When a DVD disc playback begin, this unit will automatically select the default audio language of the unit. Please notice that if the language recorded in the disc is not available in the language list in the disc menu, the language originally recorded on the disc will be used. If the disc is equipped with a specific playback language, this specific language will be used.

The functions of disc subtitle and disc menu are similar to that of disc audio. They are used to set a default playback language value for the DVD subtitle and menu display language.

DISPLAY SETUP

You will first see the picture as shown on below after you enter the DISPLAY setup menu page.

TV ASPECT

Depending on the type of television you have, the image adjustment offers 2 options for you setting: 4:3 and 16:9. This item is used to display image data in the wide screen film on the normal TV set. The option 16:9 is used when the DVD player is connected to wide screen TV in full mode, and the screen will display pictures in full size.

The display mode item can only be modified when the TV display mode is set to 4:3. Two options are provided: Letterbox and panscan.

LETTERBOX

This image option will display the panoramic frame and might appear with black bars at the top and bottom of the screen.

PANSCAN

This image option will display pictures with the left and right edges of the picture being cut off so it fills the whole screen. It is selected for the normal TV set display. This mode is select when the picture is displayed in panoramic view and complete scan format.

TV OUTPUT

The item is selecting output video formats form PAL or NTSC, audio default.

AUDIO SETUP

The below screen will be display once entered into the audio setup menu page.

SAMPLE FREQ

- The sample freq. item offers 2 options. If the connected receiver or amplifier is incapable of processing digital input with sampling frequency of 96KHz, it will select 48KHz as the sampling frequency to compres the signal to a standard signal. After the 48KHz frequency is selected, the unit will automatically convert the 96KHz signal in to the 48KHz signal, and then your system will be able to execute the decoding on the signals.
- If the receiver is capable of outputting digital signals with a sampling frequency of 96KHz, it will select 96KHz for the signal to be output as it is. After 96KHz frequency is selected, the unit will be able to process all signals without any further operations required.
- The digital output is provided via the item 5.1 digital audio amplifier.
- **ON:** digital audio output switch on that you can connect to extern digital audio receiver.
- **OFF:** digital audio output is switched off.

THE DYNAMIC RANGE COMPRESSION (DRC)

- **ON:** select this option to turn on the Dynamic Range Compression so that dialogue remains clear even at low volume levels.
- **OFF:** select this option to turn off the Dynamic Range Compression, and have the soundtrack presented exactly as it was created.

LOCK SETUP

The lock set up page is used to set the parental control. The rating item is used to set the rating level.

DVD-VR CONSOLE

ITEM	FUNCTION	SELECT METHOD
Console Title	Display the current Title number and the total number of the disc titles. User can jump to the desired title number.	Press Left/Right or enter digit , then press Enter to confirm.
Console Chapter	Display the current chapter number and the total number of the disc chapters. User can jump to the desired chapter number.	Press Left/Right or enter digit , then press Enter to confirm.
Console Time	Display the time that the disc playing time has elapsed. User can directly input the desired time from which user want to playback.	Press digit , then press Enter to confirm.
Console audio and digital audio output	Display the current audio language and the digital audio output. User can also switch to other available audio language and digital audio outputs.	Press Left/Right or use DVD AUDIO button
Console subtitle	Display the current subtitle language used. User can also switch to other subtitle language available.	Press Left/Right or use Subtitle button
Console Angle	Display the current angle. User can also switch to other available angles.	Press Left/Right or use Angle button

DVD AUDIO CONSOLE

ITEM	FUNCTION	SELECT METHOD
Console Group	Display the current Group number and the total number of groups available. User can select the desired group number.	Press Left/Right or enter digit , then press Enter to confirm.
Console Track	Display the current track number and the total number of tracks available. User can select the desired track number.	Press Left/Right or enter digit , then press Enter to confirm.
Console Time	Display the time that the disc playing time has elapsed. User can directly input the desired time from wch user want to start the playback.	Press digit , then press Enter to confirm.
Console audio and digital audio output	Display the current audio language and the digital audio output. User can also switch to other available audio language and digital audio outputs.	Press Left/Right or use DVD AUDIO button
Console subtitle	Display the current subtitle language. User can also switch to other available subtitle language .	Press Left/Right or use Subtitle button
Console Angle	Display the current angle when the AVTT is being played. User can also switch to other available angles	Press Left/Right or use Angle button
Console Page	Display the current page number when the AOTT is being played. User can also switch to other pages.	Press Left/Right or use Angle button

VCD CONSOLE

ITEM	FUNCTION	SELECT METHOD
Console PBC	Indicate the unit is currently under the PBC ON mode. the PBC ON mode can only be displayed, and is not open for changes.	
Console Chapter	Display the current chapter number and the total number of the disc chapters (PBC OFF). User can jump to the desired chapter number.	Press Left/Right or enter digit , then press Enter to confirm.
Console Time	Display the time that the disc playing time that has elapsed. User can directly input the desired time from which the user want to start the playback. The time search function is valid for the current track only.	Press digit , then press Enter to confirm.
Console audio	Display the current audio language used. User can also switch to other audio language available.	Press digit , then press Enter to confirm.

ZOOM

The ZOOM feature(27) allows you to magnify a certain area of the images recorded on the DVD.

1. Press ZOOM button to enlarge the image by 4x.
2. Press ZOOM button again to enlarge the image by 16x.
3. Press Up/ Down Left/ Right to select the area you want to magnify.
4. The third press ZOOM will cancel the zoom function and resume to normal.

TITLE

When playing a data disc or audio CD, press TITLE(28) to switch among the 3 options:

pages of music, photo and movie. Press TITLE button(28) to open the title containing on the DVD disc while the DVD is playing.

SUBTITLE

- Press SUBTITLE button(29) once to bring up the subtitle information which will be shown on the top right corner of the screen.
- Each time you press SUBTITLE, you can switch to another subtitle available on the disc.

DVD AUDIO

Press DVD AUDIO button(30) once to bring up the audio information which will be shown on the top right corner of the screen. You will see the language selected and the digital audio output information. Each time you press DVD AUDIO you can switch to another audio language and audio output available on the disc.

Before entering the item, the system will request you to input the password first. The default password of this unit is 1234. After the password is entered correctly, the parental control rating level can be changed.

If you didn't set any password for parental control, the system will request you to input a new password.

If you make a mistake before pressing enter, press clear and enter your 4-digit password again.

After the new password is entered successfully, press down/ up to change the parental control rating level. Including the unlock level, there are a total of 9 levels in the parental control rating.

The parental control function is only valid after the disc is ejected. Operation can be performed following the parental lock setting.

The password item is used to set the new password or change the old password.

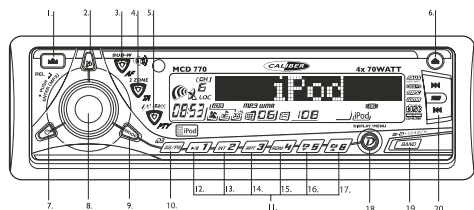
Before you enter into the item, the system will request you to input the old password first. The default password of this unit is 1234. The new password can not be entered unless the old password has been entered.

OTHER SETTINGS

This page is used to set on the load default and screen saver.

DVD OPERATION - CONTROL PANEL

Once a DVD disc is inserted into the unit, the unit will automatically start the playback from the beginning of the disc, and then the DVD MENU, ROOT or TITLE in



the DVD disc will appear on the TFT monitor and ROOT will be displayed on the lcd of the unit.

DVD MENU

During playback the DVD menu, Root or Title of the disc, the below buttons of the control panel serve the following functions:

- Volume knob as cursor up/down to move the highlight in the DVD menu, Root or Title.
- Track up/ track down button as cursor right/left to move the highlight in the DVD Menu, Root or Title.
- Audio button as enter to confirm the selected item in the DVD menu, Root or Title.

PLAY/PAUSE (M1)

During playback the DVD menu or root of the disc, user can short press the "play"(M1) button to confirm the selected item in the DVD menu, root or title. Once the DVD disc playback started the LCD will display T01C01 0:00:03 (the current playback of: Title: Chapter: playback time). When the DVD disc is playing, the play button on the control panel serves the following function:

- Play: press play to resume the disc playback when the unit is in "stop" mode. The last position play function will be started if the unit is under the resume stop mode.
- Pause: pause the disc playback that is currently being played.

STOP (M2)

When the DVD disc is playing, the "stop"(M2) button on the control panel serves the following functions:

- Stop the current disc playback. Press the stop button to enter into resume stop mode. Press play under the resume stop mode to resume the playback from the position where you stopped the playback previously.
- Press stop button two times to enter into the clear stop mode. Under the clear stop mode, if the play button is pressed, the disc will resume the playback from the beginning of the disc.

NEXT (M3)

When the next button is pressed, the unit will automatically jump to the next chapter or track and start the playback.

BACK (M4)

When the back button is pressed, the unit will automatically go back to the last chapter or track and start the playback.

FAST FORWARD/ FAST BACKWARD (M5 / M6)

When press the button M5 or M6 the button under the play mode, the unit will start the fast forward M5 or M6 rewind. The unit can fast forward or rewind discs at different speeds.

- Pressing repeatedly the button or the button, can give different fast forward or rewind speeds. There are 4 speed levels for DVD discs in FWD/REW mode: x2, x4 and x16.

- There are 3 speed levels for disc types other than DVD disc: x2, x4 and x8.
- Press play to resume the playback at normal speed.

REPEAT (RPT/M3)

User can press the "repeat"(RPT/M3) button to repeat the whole disc or a specific track/chapter of the disc. Press repeat button to switch between different repeat modes.

- When repeat button is pressed repeatedly, the LCD will display "repeat T01" for repeat play of the current title, "repeat C01" for repeat play current chapter.

TITLE (RDM/M4)

While the DVD disc is being played, the function of "title"(RDM/M4) button on the control panel serves the following functions:

- Short press "title" button to recall the DVD menu, root or title contained on the DVD disc during DVD playback. Press "title" again to resume playback.
- When playing a multi-format disc or a audio CD, press "title" button to switch among the 3 option pages of music, photo and movie.
- Please refer to the related description in "multi-format disc operation for detail operation. During the playback the DVD menu, root or title of the disc, the below buttons on the control panel serve the following functions:
- Volume up/down button as cursor right/left to move the highlight in the DVD menu, root or title.
- Track up/down button as cursor right/left to move the highlight in the DVD menu, root or title.
- Audio button as enter to confirm the selected item in the DVD menu, root or title.

DVD AUDIO (M6)

When the DVD disc is being played, the function of "DVD audio"(M6) button on the control panel serve the following functions:

- The selection of audio language and audio output which are available on the current DVD disc is being played. Each time pressing the "DVD audio" will switch to another audio language and audio output available in the disc.
- When "DVD audio" is pressed repeatedly, the LCD will display "DVD audio 01". The number of "DVD audio" display on the LCD is depending on how many audio language and audio output are available for selection.
- The selected language and the digital audio output will be shown on the top left corner of the TFT monitor.

OSD (AS/PS)

During DVD playback, the function of "OSD"(AS/PS) button on the control panel serves the following functions:

- Short press "OSD"(AS/PS) button to bring up the console menu.
- Please refer to the related description in "DVD basic operation remote control" for details operation of "OSD".

The console function/ menu is only available in DVD/DVD audio/ DVD-VR/ VCD discs, and the available console function may differ depending on the type of disc. The "OSD menu" will be displayed on LCD and stay for 10 seconds. User has 10 seconds to adjust the OSD item on the TFT monitor. If no selection is being made within the 10 seconds time out, the unit will resume to previous mode. User can also press AS/PS button for quick return to the previous mode without waiting the 10 seconds time out. Under the "OSD" mode. The below buttons on the control panel serve the below functions:

- Volume knob as cursor up/down to move the highlight bar on the TFT monitor
- Track up/down button as cursor right/left to move the highlight bar on the TFT monitor.
- Audio button as enter to confirm the selected item on the TFT monitor.

SET UP (AS/PS)

While the DVD disc is being played or under stop mode, the "set up"(AS/PS) button on the control panel serve the following function:

- Long press "set up"(AS/PS) button to bring up the system setup menu.
- Please refer to the related description in "DVD basic operation remote control" for details operation of "set up".

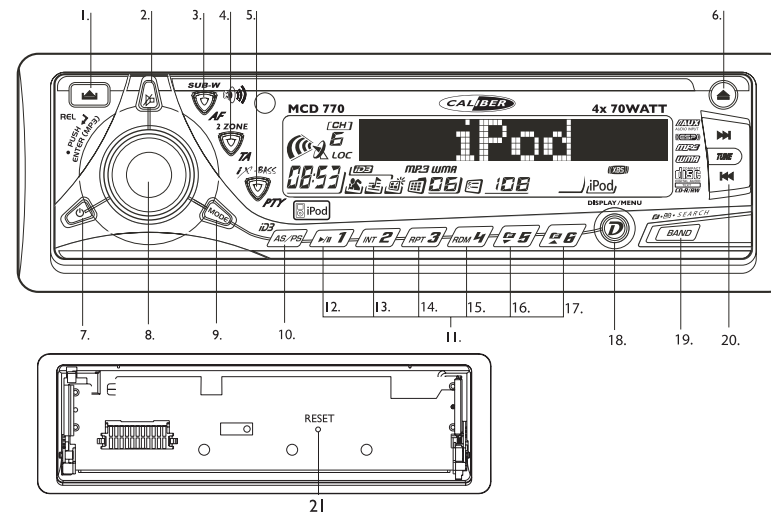
After pressing the set up button, the LCD will display "set up" and keep on blinking. User can use the following buttons to adjust the "set up" items shown on the TFT monitor as following:

- Volume knob as cursor up/down to navigate through the set up items shown on the TFT monitor.
- Track up/down button as cursor left/right/previous/select to navigate through the set up items shown on the TFT monitor.
- Short press "set up" button again or "play" button to resume the DVD playback.

TROUBLESHOOTING

Before going through the check list, check wiring connection. If any of the problems persist after check list has been made, consult your nearest service dealer.

Problem	Cause	Solution
No power	The car ignition switch is not on	If the power supply is properly connected to the car accessory terminal, switch the ignition key to "ACC"
	The fuse is blown	Replace the fuse
Disc cannot be loaded or ejected	Presence of disc inside the player	Remove the disc in the player, then insert a new one
	Inserting the disc in reverse direction	Insert the compact disc with the label facing upward
	The disc is extremely dirty or defective	Clean the disc or try to play a new one
	Temperature inside the car is too high	Cool off or until the ambient temperature returns to normal
	Condensation	Leave the player off for an hour, then try again
No sound	Volume is in minimum	Adjust volume to a desired level
	Wiring is not properly connected	Check wiring connection
Sound skips	The installation angle is more than 30 degrees	Adjust the installation angle less than 30 degrees
	The disc is extremely dirty or defective	Clean the compact disc, then try to play again
The operation keys do not work	The built-in microcomputer is not operating properly due to noise	Front panel is not properly fixed into its place Press the RESET button.
The radio does not work	The antenna cable is not connected	Insert the antenna cable firmly
	The signals are too weak	Select a station manually
Error 1	Mechanism error	Press the reset button to correct the problem. If the error code does not disappear, consult your nearest service dealer.
No file	No supported file format	Replace the disc
Disc error	Maybe disc dirty/disc scratched/disc upside down	Replace the disc



CARACTÉRISTIQUES

GENERALITES

Alimentation électrique	DC 11 -14V
Polarité	Mise à la terre négative
Impédance haut-parleur	4 ohms
Puissance sortie	4 x 70W

LECTEUR DVD/ CD

Système	Système audio compact disc
Disque utilisable	Compact disc, DVD video
Taux d'échantillonnage	44,1KHz
Nbre de bits de quantification	1 bit
Fréquence	20-20,000Hz
Nombre de canaux	2 stéréo
Rapport Signal sur Bruit	90 dB

1. TOUCHE DEBLOCAGE PANNEAU
2. TOUCHE SILENCE
3. TOUCHE AUDIOFREQUENCE (AF) / SUB-W
4. TOUCHE TA
5. TOUCHE PTY / IX BASS
6. DISC EJECT
7. TOUCHE ALIMENTATION (POWER)
8. BOUTON DE REGLAGE DEVOLUME
TOUCHE DE SELECTION AUDIO/ TOUCHE ENTREE MP3
9. TOUCHE MODE
10. TOUCHE MEMORISATION AUTOMATIQUE / BALAYAGE STATIONS
PREREGLEES (AS/PS) TOUCHE MP3 ID3 / D'INFORMATION IPOD
11. TOUCHES STATIONS PREREGLEES (1-6)
12. BOTÓN PAUSE
13. BOUTON ARRÊT
14. TOUCHE RPT
15. BOTÓN RANDOM/MENU DVD
16. BOUTON DOSSIER PRÉCÉDENT
17. BOUTON DOSSIER SUIVANT
18. TOUCHE ECRAN D'AFFICHAGE/TOUCHE MENU
19. TOUCHE DE RECHERCHE DE GROUPE/MP3
20. TOUCHES ACCORD HAUT/BAS, PLAGE SUIVANTE/PRECEDENTE
21. TOUCHE DE RÉINITIALISATION

SECTION RADIO

FM

Gamme de fréquences	87,5-108 Mhz
Sensibilité utilisable	Supérieure à 15dB à S/B 30 dB
Séparation stéréo	25 dB à 1KHz
Rapport Signal / Bruit	50 dB

MW

Gamme de fréquences	522-1620 KHz
Fréquence intermédiaire	450KHz
Sensibilité utilisable	Supérieure à 45dB
Rapport Signal sur Bruit	40 dB

REMARQUE :

Caractéristiques sous réserve de modifications sans préavis

DISC PLAY

PRÉCAUTIONS

- N'utilisez que dans un système électrique 12 volts CD de polarité négative.
- Déconnectez la borne négative de la batterie du véhicule lors du montage et de la connexion de l'unité.
- Lors du remplacement du fusible, veillez à un fusible avec un ampérage identique. Utiliser un fusible avec un ampérage supérieur peut causer de graves dommages à l'unité.
- N'essayez PAS de démonter l'unité. Les rayons laser du capteur optique sont dangereux pour les yeux.
- Vérifiez que les broches ou autres objets ne pénètrent pas dans l'unité ; ils peuvent entraîner des dysfonctionnements, ou créer des risques pour la sécurité tels que des chocs électriques ou une exposition au rayon laser.
- Si vous avez parqué la voiture pendant un long moment par temps froid ou chaud, attendez que la température dans la voiture redevienne normale avant de mettre l'unité en marche.
- Maintenez le volume à un niveau qui vous permet d'entendre les bruits d'avertissement extérieurs (klaxons, sirènes, etc.).

Remarques relatives aux CD

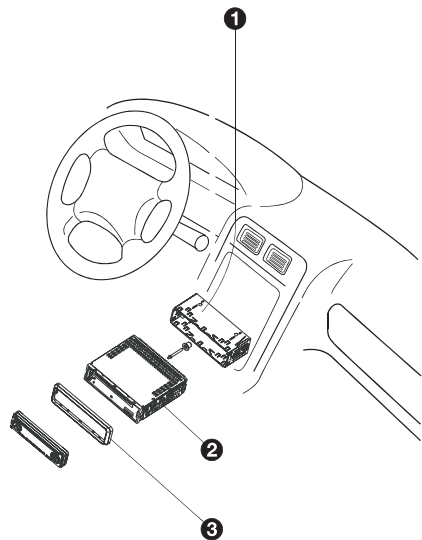
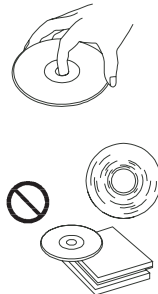
- La lecture de CD poussiéreux ou défectueux peut entraîner des pertes sonores.
- Tenez les CD comme illustré.
- NE touchez PAS la face du CD sans étiquette.
- Ne posez aucun sceau, aucune étiquette ni aucune feuille de protection de données d'un côté ou l'autre du disque.
- N'exposez PAS un CD à la lumière directe du soleil ou à une chaleur excessive.
- Essayez un CD sale du centre vers l'extérieur à l'aide d'un chiffon nettoyant. N'utilisez jamais de solvants tels que de la benzine ou de l'alcool.
- Ce lecteur ne peut jouer de CD 3 pouces (8 cm).
- N'insérez JAMAIS un CD 3 pouces contenu dans l'adaptateur ou un CD de forme irrégulière. L'unité pourrait ne pas pouvoir le rejeter, ce qui entraînerait un dysfonctionnement.

Avant la mise en marche

- N'augmentez PAS trop le niveau sonore, car cela vous empêcherait d'entendre les sons extérieurs, rendant la conduite dangereuse.
- Arrêtez la voiture avant d'effectuer toute opération compliquée.

ATTENTION

N'ouvrez PAS les caches et n'effectuez aucune réparation vous-même. Consultez le distributeur ou un technicien expérimenté si vous avez besoin d'aide.



Ce lecteur est équipé d'un panneau détachable motorisé coulissant. Le panneau peut être détaché et emmené avec vous, ce qui vous aidera à décourager les voleurs.

Retrait du panneau

- Appuyez sur le bouton PWR pendant plus de 2 secondes pour mettre l'unité hors tension.
- Déboîtez un peu la partie gauche du panneau, ensuite déboîtez le panneau à partir de la droite (bouton REL).
- Appuyez doucement sur le bouton du boîtier du panneau et ouvrez l'étui. Placez le panneau dans le boîtier et emmenez-le avec vous lorsque vous quittez la voiture.

Installation du panneau

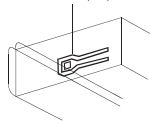
- Insérez le panneau dans l'ouverture de l'unité.
- Poussez sur le panneau avant jusqu'à ce qu'il se mette en place.

Retrait du lecteur

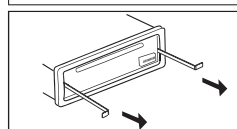
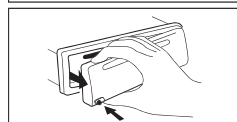
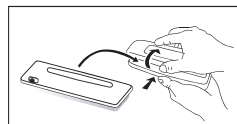
- Enlevez le panneau et la plaque de garniture.
- Insérez les deux T-Keys dans les trous à l'avant de l'appareil jusqu'à ce qu'ils s'emboîtent.
- Sortez l'unité.



lock lever ()



- Insérez le manchon de montage dans le tableau de bord et pliez les pattes de montage vers l'extérieur avec un tournevis. Vérifiez que le levier de verrouillage () est dans l'alignement du manchon de montage. (Qu'il ne ressort pas vers l'extérieur)
- Fixez l'arrière de l'unité. Après avoir installé le boulon de fixation et la prise d'alimentation, fixez l'arrière de l'unité à la voiture par le tampon en caoutchouc.
- Installez la plaque de garniture.



OPÉRATIONS DE BASE

ON/OFF

Pour allumer l'appareil, pressez le bouton POWER (7) ou un autre bouton de la radio (sauf le bouton EJECT) quand le système est en marche. Pressez le bouton POWER (7) pour éteindre l'appareil.

DÉTACHEMENT DU CACHE DE PROTECTION

Pressez le bouton REL (1) pour enlever le cache de protection.

AJUSTEMENT DU SON

Pressez le bouton (2) "MUTE" plus de 3 secondes puis l'intensité sera activée ou désactivée.

SOURCE

Appuyez sur le bouton "MODE" (9) pour naviguer entre Radio, CD, iPod et Entrée Aux.

EJECTER UN CD

Pressez la touche Open pour faire basculer la façade en position ouverte, si un CD se trouve déjà dans l'appareil, il sera automatiquement éjecté. Aucune autre manipulation n'est nécessaire. Si le CD éjecté n'est pas retiré dans les 10 secondes, il se réinsérera automatiquement dans le lecteur. et la façade se refermera. Attention : si le disque éjecté reste dans la fente, la touche Open est bloquée : fermer la façade en utilisant la touche Open est donc impossible tant que le disque n'est pas réinséré ou retiré.

PRECAUTIONS

- Utilisez toujours la touche "OPEN" pour ouvrir ou fermer la façade. N'essayez jamais de faire basculer la façade manuellement car cela risquerait d'endommager sérieusement le mécanisme et annulerait la garantie.
- N'essayez jamais de détacher/retirer la façade (en pressant la touche de détachement de façade) ou de fixer la façade lorsque celle-ci est en position ouverte/basculée. Vous risquez d'endommager sérieusement l'appareil et la façade. Détachez ou refixez la façade uniquement lorsque celle-ci est en position relevée.

ECRAN

Pressez le bouton (18) "DISPLAY/MENU" de façon répétitive affichera les informations dans l'ordre suivant:

Spectrum mode 1 -> Spectrum mode 2 -> Spectrum mode 3 -> Default Display

FONCTIONNEMENT DU MENU

Appuyez sur le bouton "DISPLAY/MENU" (18) plus de 3 secondes pour accéder au menu. Appuyez sur le bouton "AUDIO" (8) momentanément pour aller à l'option suivante. Pour naviguer dans le menu il est également possible d'utiliser les touches Tuning Up et Tuning Down (20). Une fois l'option désirée affichée à l'écran, effectuez les réglages en tournant le bouton contrôlant le volume dans les 5 secondes. Il est possible de régler les options suivantes:

CONTRASTE

Le niveau de contraste de l'écran est défini par "contraste 05" par défaut. Tournez le bouton contrôlant le son pour régler ce dernier de 00 à 10.

FORMAT DE L'HEURE

Cette option permet un affichage en 12 heures ou en 24 heures. "12 heures" est défini par défaut. Tournez le bouton contrôlant le volume pour changer le format de l'heure.

REGLAGE DE L'HEURE

L'heure de l'horloge est réglée à 12:00 par défaut.

Tourner le bouton contrôlant le volume dans le sens des aiguilles d'une montre pour régler les minutes et dans l'autre sens pour régler les heures.

VOLUME A L'ALLUMAGE

Cette option permet de sélectionner le volume auquel la radio se positionnera lors de sa mise en route. "PGM VOL 12" est défini par défaut, ce qui fait que le volume au démarrage de la radio sera identique au dernier volume réglé. Pour programmer un volume particulier lors du démarrage, tournez le bouton contrôlant le volume pour choisir le "NIVEAU DU VOLUME" Dans les 5 secondes.

BIP DES TOUCHES

Vous pouvez tourner le bouton du volume pour sélectionner les options suivantes : BEEP ON produit un bip au contacte d'une touche. BEEP OFF désactive les bips.

FONCTIONNEMENT DE L'AUDIO

Appuyez sur "AUDIO" (8) pour accéder aux réglages du son. Appuyez sur le bouton "AUDIO" (8) momentanément pour aller à l'option suivante. Pour naviguer dans le menu il est également possible d'utiliser les touches Tuning Up et Tuning Down (20). Une fois l'option désirée affichée à l'écran, effectuez les réglages en tournant le bouton contrôlant le volume dans les 5 secondes. Il est possible de régler les options suivantes:

VOLUME

Pour augmenter le volume tournez le bouton du volume (8) dans le sens des aiguilles d'une montre, et dans le sens inverse pour le baisser.

SUBWOOFER (SUBWOOFER LEVEL)

Tournez le bouton du volume (8) pour sélectionner le volume désiré entre "00" et "12".

NOTES: L'option de contrôle du subwoofer n'apparaîtra dans le menu Audio seulement si la fonction "subwoofer" est activée et si le subwoofer est connecté. Appuyez sur le bouton "sub-w" (3) pour activer la fonction subwoofer. Appuyez de nouveau pour la désactiver.

SUB-W LPF (SUBWOOFER LOW PASS FILTER)

Tournez le bouton du volume (8) pour choisir la fonction Low Pass Filter désirée: Flat, 80Hz, 120Hz or 160Hz.

NOTES: L'option de contrôle du subwoofer n'apparaîtra dans le menu Audio seulement si la fonction "subwoofer" est activée et si le subwoofer est connecté.

IX-BASS (IX-BASS LEVEL)

Tournez le bouton du volume (8) pour choisir la fonction Bass Boost désirée : bas, moyen ou élevé.

NOTE: La fonction iX-Bass n'apparaîtra dans le menu Audio uniquement si la fonction "

"iX-Bass" est activée. Appuyez sur le bouton "iX-Bass" (5) pour activer la fonction "iX-Bass". Appuyez de nouveau pour la désactiver.

BASSES (NIVEAU DES BASSES)

Tournez le bouton du volume (8) pour sélectionner le volume des basses désiré entre "-6" et "+6".

BASS-CFQ (BASS CENTER FREQUENCY)

Tournez le bouton du volume (8) pour sélectionner la fréquence des basses désirée entre 60Hz, 80Hz, 100Hz, 200Hz.

BASSES-Q (BASS Q FACTOR)

Tournez le bouton du volume (8) pour sélectionner la qualité des basses désirée entre 2N, 1N, 1W et 2W.

MOYEN (NIVEAU MOYEN)

Tournez le bouton du volume (8) pour sélectionner le niveau moyen désiré entre "-6" et "+6".

MID-CFQ (MIDDLE CENTER FREQUENCY)

Tournez le bouton du volume (8) pour sélectionner la fréquence moyenne désirée entre 500Hz, 1KHz, 1.5KHz et 2.5KHz.

MIDDLE-Q (MIDDLE Q FACTOR)

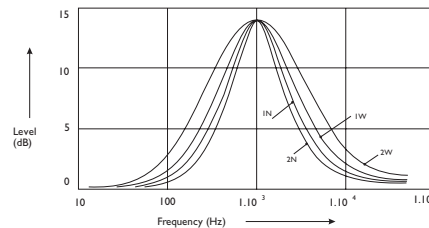
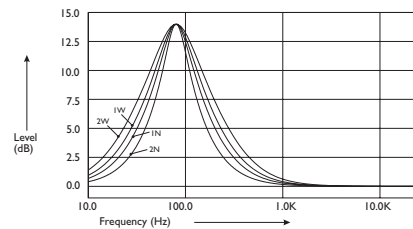
Tournez le bouton du volume (8) pour sélectionner la qualité moyenne désirée entre 2N, 1N, 1W et 2W.

AIGUS

Tournez le bouton du volume (8) pour sélectionner le niveau des aigus désiré entre "-6" et "+6".

TRE-CFQ (TREBLE CENTER FREQUENCY)

Tournez le bouton du volume (8) pour sélectionner la fréquence des aigus désirée entre 10KHz, 12.5KHz, 15KHz et 17.5KHz.



BALANCE

Tournez le bouton du volume (8) pour régler les haut-parleurs droit et gauche entre RI2 (tout à droite) et LI2 (tout à gauche).

AVANT ET ARRIERE

Tournez le bouton du volume (8) pour régler la balance entre l'avant et l'arrière de RI2 (tout derrière) et FI2 (tout devant).

PARAMÈTRES DE LA RADIO

SÉLECTION DE LA BANDE

En mode tuner, pressez le bouton (2) légèrement pour sélectionner la bande désirée. La bande de réception affiche le choix suivant: FM1, FM2, FM3 et MW.

SÉLECTION DE LA STATION

Pressez ou relevez le bouton (20) légèrement pour activer la fonction recherche. Pressez 2 secondes jusqu'à ce que l'indication "MANUAL" apparaisse sur l'écran. Le mode tuning manuel est alors sélectionné.

Si les boutons ne sont pas touchés pendant plus de 3 secondes, la fonction revient automatiquement sur "AUTO SEEK".

MÉMORISATION AUTOMATIQUE AS

Mémorisation automatique

Pressez le bouton (10) "AS/PS" plus de 3 secondes pour activer la fonction AS. La radio cherche les 6 stations de radio les plus fortes et les enregistre dans le programme actuel de sélection de bande.

NOTE: Toutes les stations enregistrées précédemment dans la mémoire sont remplacées par les nouvelles stations de radio sélectionnées.

LE PROGRAMME SCAN PS

Pressez le bouton (10) "AS/PS" moins de 3 secondes. L'appareil se mettra en pause pour 10 secondes à chaque station programmée. Pressez le bouton (10) "AS/PS" une nouvelle fois pour arrêter la recherche lorsque la station désirée est trouvée.

MÉMORISATION DES STATIONS ET RAPPEL

Pressez n'importe quel bouton du programme (de 12 à 17) pour rappeler une station mémorisée. Pressez un bouton programme 2 secondes, et la station précédente est alors remplacée par la fréquence actuelle.

LES OPÉRATIONS RDS (SYSTÈME DE DONNÉES RADIO)

Les données RDS sont les données PI, PS, TP, PTY, TA et AF.

PI: Code d'identification de programme

Code pour identifier les programmes

PS: Programme de service de noms

Données expresses sur les stations d'émission

Par caractère alphabétique

TP: Identification du programme du trafic routier

Identification des données pour les stations d'émission du trafic routier

TA: Identification de l'annonce du trafic routier

Identification des données indiquant si les informations concernant le trafic ont été transmises ou non

AF: Fréquences alternatives

Liste des fréquences des stations d'émission diffusant les mêmes programmes

METTRE EN MODE AF

Pressez le bouton (3) AF moins de 3 secondes pour activer ou désactiver le mode AF. Dès que le mode AF est activé, le symbole "AF" apparaît sur l'écran. Le tuner retourne aux fréquences alternatives dès que le signal de réception devient mauvais. L'indication "ALARM" s'affiche lorsque une information importante est diffusée. Lorsque le contrôle du volume est réglé sur le minimum, le réglage du son se fait automatiquement grâce aux paramètres programmés.

UTILISER LA FONCTION PTY POUR SÉLECTIONNER UN PROGRAMME

La fonction PTY vous permet de chercher des stations avec des types de programmes particuliers. Pour sélectionner un type de programme, pressez le bouton (5) PTY moins de trois secondes. L'écran affiche: "pop music" ou "news". Maintenant vous pouvez sélectionner le type de musique ou de speech que vous souhaitez en utilisant les boutons du programme de 1 à 6 pour faire une sélection, comme décrit dans le tableau ci-dessous:

Numéro programmé	Groupe de musique	Groupe de paroles
1	POP M, ROCK M	ACTUALITES, AFFAIRES, INFOS
2	VARIETES, MUSIQUE LEGERE	SPORT, EDUCATION, THEATRE
3	JAZZ, COUNTRY	METEO, FINANCES, ENFANTS
4	CLASSIQUE	CULTURE, SCIENCE, DIVERS
5	NATIONAL, NOSTALGIE	SOCIAL, RELIGION, DEBATS TELEPHONIQUES
6	FOLK	VOYAGES, LOISIRS, DOCUMENTAIRES

Lorsque le mode PTY est activé, la sélection se fait en pressant le bouton comme décrit dans la partie note. Lorsque le mode PTY est sélectionné, la radio commence à chercher les informations PTY correspondantes. Si aucune information PTY correspondante n'est trouvée, la réception radio normale reprend. Après, l'indication "NON PTY" est affichée à l'écran pendant 5 secondes.

ECOUTER L'ANNONCE DU TRAFIC ROUTIER

L'annonce du trafic routier peut être interrompue par la lecture d'un CD ou l'écoute de la radio. Pressez légèrement le bouton (4) "TA" pour activer ou désactiver le mode TA. Lorsque le mode TA est activé, vous entendez l'annonce du trafic routier. Pendant l'annonce du trafic routier, vous pouvez l'interrompre par un court appui sur le bouton TA (4). Sans désactiver le mode TA. De cette façon, le réglage revient au mode d'opération précédent. Un appui long sur le bouton TA (4) vous permet d'activer ou désactiver le EONTA LOCAL/EONTA DX. EONTA LOCAL permet seulement la diffusion d'informations sur l'état du trafic routier à partir d'une radio forte.

La sélection EONTA DX permet l'interruption de lecture d'un CD ou d'écoute de la radio pendant la réception d'informations.

FONCTIONNEMENT DU DUAL ZONE

Cette fonction est utile si vous souhaitez sélectionner différentes sources de sorties Audio et Vidéo (AV) pour les haut-parleurs avant et arrière ainsi que pour l'écran TFT. Par exemple, l'écran TFT situé à l'avant peut afficher le jeu vidéo tournant sur votre console de jeu tandis que les écrans situés à l'arrière diffusent un DVD. Pour profiter pleinement de ces fonctions, procédez comme suit :

FONCTIONNEMENT ON/OFF

- "Off" est la configuration par défaut
- Appuyez longuement sur la touche "2-zone" sur la façade ou sur la télécommande afin d'activer ou de désactiver la fonction Dual Zone. "2-Zone" s'affichera alors sur l'écran LCD si la fonction Dual-Zone est sélectionnée.

SÉLECTION DES SOURCES AV AVANT ET ARRIÈRE

- Lorsque "ON" est sélectionné, pressez rapidement la touche "AUDIO" pour naviguer entre les différentes sources F-Zone (avant) et R-Zone (arrière).
- Lorsque la zone avant "F-Zone" est sélectionnée, vous avez 10 secondes pour utiliser le bouton de volume afin de naviguer à travers les différents modes : Tuner > DVD > AV-In sont disponibles pour la sélection des sorties AV avant.
- Lorsque la zone arrière "R-Zone" est sélectionnée, vous avez 10 secondes pour utiliser le bouton de volume afin de naviguer à travers les différents modes : Tuner > DVD > AV-In sont disponibles pour la sélection des sorties AV arrière.
- Si aucune sélection n'est effectuée dans les 5 secondes, l'appareil retournera au mode précédent.

UTILISER LES DIFFÉRENTES FONCTIONS DES SOURCES AVANT ET ARRIÈRE

- Le fonctionnement des sources AVANT est contrôlé par défaut par la façade et par la télécommande.
- Lorsque la "DUAL ZONE" est activée ("ON"), le bouton Mode sert à la navigation entre les sources avant et les sources arrière. Pressez la touche mode de façon répétitive pour passer des sources avant aux sources arrière.
- L'écran LCD affiche le mode source arrière durant 10 secondes. Vous disposez alors de 10 secondes pour effectuer la modification désirée sur la source arrière depuis la façade ou la télécommande. L'écran LCD passera automatiquement à la source avant après 10 secondes. La façade et la télécommande serviront donc à nouveau à contrôler les sources avant.



RÉGLAGE PAR DÉFAUT LORSQUE LA FONCTION "DUAL ZONE" EST ACTIVÉE

- Lorsque la fonction DUAL ZONE est activée, la sortie audio est muette durant à peu près 1 seconde.
- Le mode par défaut est Tuner pour la zone avant et DVD pour la zone arrière.
- Le niveau de volume pour les zones avant et arrière est "12" par défaut au niveau de la sortie audio (ou au niveau de volume préalablement réglé comme "VOL PGM" dans le menu).
- L'écran LCD affichera par défaut le mode avant.
- Lorsque la fonction Dual Zone est activée ("ON"), CERTAINES FONCTIONS AUDIO NE SERONT PAS OPERATIONNELLES, CES FONCTIONS SONT : Bass / Treble / Middle / Balance / Fader / Sub-woofer / iX-Bass

RÉGLAGE PAR DÉFAUT LORSQUE LA FONCTION DUAL ZONE EST DÉSACTIVÉE: ("OFF")

- Lorsque la fonction Dual Zone est désactivée, la sortie audio se positionne par défaut sur la fonction que vous avez sélectionnée pour la zone avant. Par exemple, lorsque la fonction Dual zone est activée, si vous aviez sélectionné "DVD" pour la zone avant et "Tuner" pour la zone arrière, la sortie audio des 4 haut-parleurs repassera en mode "DVD" lorsque la fonction Dual-Zone sera désactivée.

FONCTIONNEMENT DU LECTEUR CD

Le lecteur CD convient pour les disques de 12 cm. Ne pas utiliser de disques non conformes.

SÉLECTION DES PLAGES

Pendant la lecture du CD, pressez le bouton (20) "▶▶" pour aller à la chanson suivante. Pressez le bouton (20) "◀◀" pour sélectionner la chanson précédente. Le numéro de la chanson s'affiche sur l'écran.

Pendant la lecture du CD, restez appuyé sur le bouton (20) "▶▶" pour une avance rapide. Restez appuyé sur "◀◀" pour un retour rapide. La lecture du CD commence à partir du moment où vous relâchez le bouton.

PAUSE

Pressez le bouton (12) "▶/||" pour interrompre momentanément la lecture du CD. Pressez le bouton une nouvelle fois pour relancer la lecture du CD.

RÉPÉTITION DE LA MÊME PLAGE

Pressez le bouton (14) "RPT" pour répéter continuellement la même chanson. Pressez le bouton une nouvelle fois pour arrêter la répétition.

LECTURE RAPIDE DES PISTES

Pressez le bouton (13) "INT" pour jouer les premières secondes de chaque piste du CD en cours de lecture. Pressez une nouvelle fois pour arrêter la lecture des intros et écouter les chansons.

LECTURE AU HASARD

Pressez le bouton (15) "RDM" pour jouer toutes les pistes du CD dans le désordre. Pressez une nouvelle fois le bouton pour annuler la fonction.

EJECTER

Pressez le bouton (6) "▲" pour arrêter la lecture et éjecter le CD.

LECTURE D'UN CD TYPE CD-R/RW

Selon le type de CD CD-R/RW, l'état de la surface du CD, ainsi que la codification peuvent empêcher certains CD type CD-R/RW de fonctionner normalement dans cet appareil.

FONCTION MP3

Comment sélectionner les fichiers MP3

1. RECHERCHER UN PISTE

Appuyez sur le bouton BAND (19) pour afficher les numéros. Tournez le bouton du volume (8) pour choisir le numéro désiré puis appuyez sur le bouton du volume (8) pour confirmer et la piste sélectionnée sera jouée.

2. RECHERCHER PAR DOSSIER/FICHER

Appuyez sur le bouton BAND (19) deux fois, l'écran affiche "Navigate". Tournez le bouton du volume (8) pour naviguer dans les dossiers et sous-dossiers de la mémoire. Les noms des dossiers seront affichés. Appuyez sur le bouton du volume (8) plus de 3 secondes pour jouer la première piste du dossier. Appuyez sur le bouton du volume (8) moins de 3 secondes pour accéder aux sous-dossiers ou aux pistes. Tournez le bouton du volume (8) pour naviguer, appuyez sur le bouton du volume pour choisir un sous dossier ou pour lancer la lecture d'un morceau. Appuyez sur le bouton AS/PS (10) ou tournez le bouton du volume (8) dans le sens inverse des aiguilles d'une montre pendant la navigation pour reculer d'un dossier dans la navigation.

3. NAVIGUER À TRAVERS LE RÉPERTOIRE EN UTILISANT LES BOUTONS FICHERS PRÉCÉDENT/SUIVANT (M5/M6).

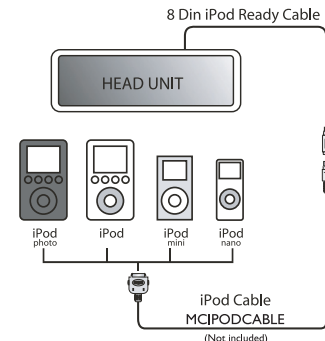
Pressez les boutons fichier suivant (M6) ou fichier précédent (M5) pour aller directement dans le répertoire en cours. Dans les répertoires à plusieurs sous parties, le mouvement se met en place au niveau actuel jusqu'à ce que le dernier fichier soit atteint. A ce point, pressez fichier précédent (5) une nouvelle fois pour aller au niveau ou répertoire précédent.

AFFICHAGE DES INFORMATIONS SUR ID3

Si un fichier MP3 est compatible avec ID3 TAG, l'information ID3 suivante: Album title -> Track title -> Artist title s'affiche à l'écran et défile automatiquement pendant la lecture du morceau. Appuyez sur le bouton "AS/PS" à répétition pour voir les informations ID3 manuellement.

UTILISATION DE IPOD

L'unité est équipée de la fonction iPod Ready. L'utilisateur dirige directement le iPod grâce au panneau de contrôle.



CONNECTER LE IPOD

TABLEAU DE COMPATIBILITÉ IPOD

Cet appareil est compatible avec les iPods suivants :

iPod 1G	Non compatible
iPod 2G	Non compatible
iPod 3G	Firmware version 2.2
iPod Mini	Toutes les versions
iPod 4G	Toutes les versions
iPod Photo	Toutes les versions
iPod Nano	Toutes les versions
iPod 5G(video)	Toutes les versions

A PROPOS DES FICHIERS VIDÉOS

Cet appareil est compatible avec un iPod vidéo cependant il n'est PAS CAPABLE de sélectionner un FICHER VIDEO OU UN ALBUM VIDEO présent sur un iPod vidéo. Cet appareil sélectionnera automatiquement et seulement un album ou fichier sans tenir compte de l'historique à savoir si le dernier fichier joué était un album ou une vidéo. Si vous désirez sélectionner et voir défiler une vidéo sur l'iPod vidéo, pressez la touche « AS/PS » pendant plus de 3 secondes afin de désactiver le contrôle de l'iPod via la façade de l'autoradio. La sélection du fichier peut donc maintenant s'effectuer directement sur l'iPod. Lorsque la vidéo sera sélectionnée, elle sera visible automatiquement sur l'écran connecté à la sortie vidéo.

ALLUMER ET ETEINDRE LE IPOD

Le iPod s'allume automatiquement dès qu'il est connecté et le reste tant que l'hôte de connection est allumé. Le iPod peut être éteint s'il est débranché ou si l'hôte de connection est éteint. Le iPod se mettra en mode pause puis en mode sommeil à peu près deux minutes après.

NOTE: Lorsque le iPod est connecté, il est impossible d'éteindre le iPod à partir de son panneau de contrôle.

RECHARGER LES BATTERIES DU IPOD

Le iPod se recharge automatiquement tant que le port de connection est sur ACC ou sur ON.

PASSER EN MODE IPOD

Lorsque l'unité centrale est allumée et que le iPod y est connecté, appuyez sur le bouton "MODE" (9) pour passer en mode iPod et l'unité affichera "iPod" un moment. L'unité centrale commencera la lecture de la musique du iPod. Appuyez sur le bouton "MODE" (9) à répétition pour changer de mode ou pour revenir en mode iPod.

INFORMATIONS SUR L'AFFICHAGE DE L'UNITÉ CENTRALE

Appuyez sur le bouton "AS/PS" (10) à répétition pendant la lecture d'une chanson, l'unité va afficher : Song -> Artist -> Album name -> Elapsed time

RECHERCHER UN CHANSON DESIRÉE

Appuyez sur le bouton "BAND" (19) pour accéder au mode de recherche du iPod. Appuyez sur le bouton "BAND" (19) à répétition pour accéder aux méthodes de recherche suivantes: 1. Playlist -> 2. Artist -> 3. Album -> 4. Song -> 5. Genre Tenez appuyé 10 secondes le bouton du volume (8) pour entrer dans le mode de recherche, puis tournez-le pour naviguer dans les albums, artistes ou listes de chansons dans le iPod. Appuyez sur le bouton du volume (8) pour confirmer et jouer la piste.

Appuyez sur le bouton "AS/PS" (10) pendant le mode recherche pour reculer d'un album, d'une playlist, d'un genre etc.

SELECTION DES CHANSONS

Pendant l'utilisation du iPod, appuyez sur le bouton (20) "▶▶" pour la piste suivante. Pendant l'utilisation du iPod, appuyez sur le bouton (20) "◀◀" pour la piste précédente. Les numéros des piste s'affichent à l'écran.

Pendant l'utilisation du iPod, Tenez le bouton (20) "▶▶" appuyé pour une avance rapide. Tenez le bouton (20) "◀◀" appuyé pour effectuer un retour rapide.

Le chanson commencera a partir du moment ou vous lâchez le bouton.

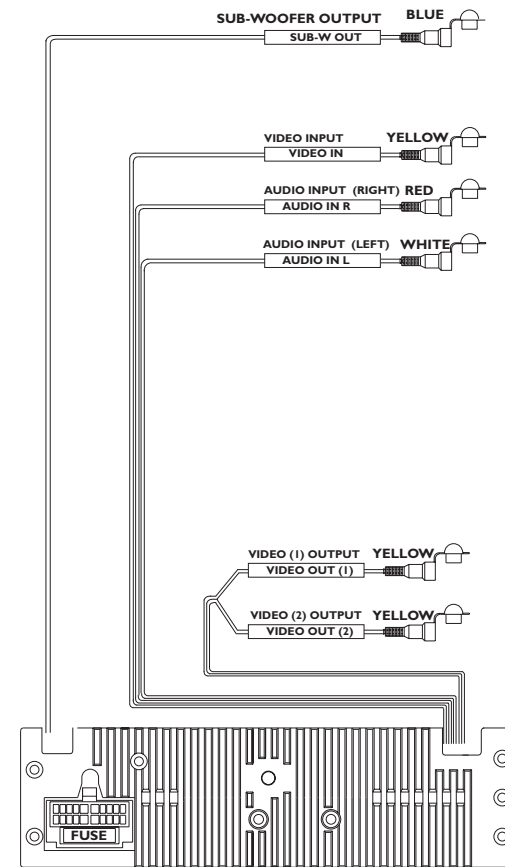
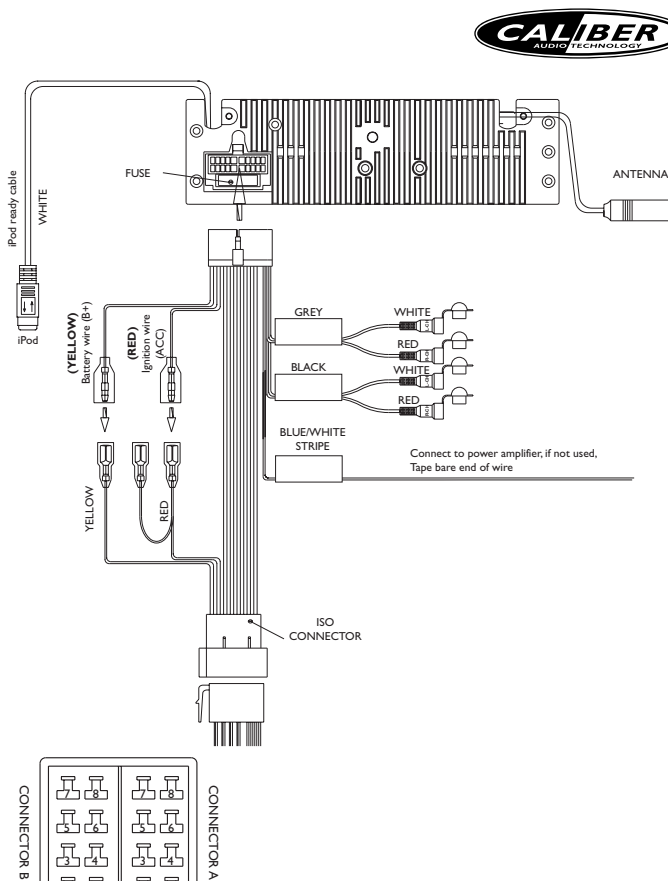
RÉPETER UNE CHANSON/REPETER TOUT

Appuyez sur le bouton "RPT" (14) pour jouer le même morceau en boucle. Appuyez de nouveau pour arrêter la répétition. Appuyez sur le bouton "RPT" (14) plus de 3 secondes pour activer la répétition de toutes les chansons de l'album.

LECTURE ALEATOIRE/ALBUM ALEATOIRE

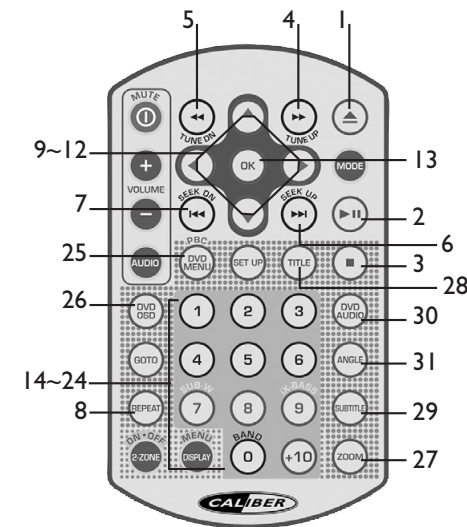
Appuyez sur le bouton "RDM" (15) pour jouer toutes les chansons dans un ordre aléatoire. Appuyez de nouveau pour désactiver la fonction. Appuyez sur le bouton "RDM" (15) plus de 3 secondes pour jouer toutes les pistes de l'album en cours dans un ordre aléatoire. Appuyez de nouveau pour désactiver la fonction.

BROCHE	COULEUR DU CABLE	FUNCTION
A4	JAUNE	BATTERIE (+)
A5	BLEU	ALIMENTATION ANTENNE
A7	ROUGE	IGNITION (ACC)
A8	NOIR	TERRE
B1	VIOLET	HP ARRIERE DROIT (+)
B2	VIOLET / NOIR	HP ARRIERE GAUCHE (-)
B3	GRIS	HP AVANT DROIT (+)
B4	GRIS / NOIR	HP AVANT GAUCHE (-)
B5	BLANC	HP AVANT GAUCHE (+)
B6	BLANC / NOIR	HP AVANT GAUCHE (-)
B7	VERT	HP ARRIERE GAUCHE (+)
B8	VERT / NOIR	HP ARRIERE GAUCHE (-)



FONCTIONS - DVD

FONCTIONS-DVD/ TÉLÉCOMMANDE



- | | | | |
|-------|------------------------|--------|--|
| 1. | EJECTE | 14-24. | TOUCHES NUMERIQUES |
| 2. | PLAY/PAUSE | 25. | MENU DVD / MENU VCD |
| 3. | STOP | 26. | OSD (INSCRIPTION DES OPERATIONS SUR L'ECRAN) |
| 4. | AVANCE RAPIDE | 27. | ZOOM |
| 5. | RETOUR RAPIDE | 28. | TITRE |
| 6. | SUIVANT | 29. | SOUS-TITRE |
| 7. | PRECEDENT | 30. | DVD AUDIO |
| 8. | REPETE | 31. | ANGLE |
| 9-12. | HAUT/BAS GAUCHE/DROITE | | |
| 13. | OK | | |



FONCTIONS DE BASE

EJECTE ▲

Pressez la touche EJECTE (1) afin d'éjecter ou insérer le disque.

PLAY/PAUSE ▶/⏸

Play: pressez la touche PLAY (2) afin de reprendre la lecture du disque lorsque l'unité est sur le mode pause.

Pause: mettre le disque en cours de lecture sur pause.

STOP ■

Pressez la touche (3) afin d'arrêter la lecture en cours.

AVANCE RAPIDE / RETOUR RAPIDE ▶▶ / ◀◀

Pressez la touche (4) ou (5) afin d'avancer ou reculer. Vous pouvez visionner le disque à différentes vitesses. Il y a 4 vitesses possibles pour l'avance et retour rapides sur les DVD : x2, x4, x16, x100. Il y a 3 vitesses possibles pour les autres supports : x2, x4, x8. Pressez PLAY pour retourner à la vitesse normale.

SUIVANT

Lorsque vous pressez la touche (6) SUIVANT, l'appareil passera automatiquement au chapitre ou fichier suivant.

PRÉCÉDENT

Lorsque vous pressez la touche (6) PRECEDENT, l'appareil passera automatiquement au chapitre ou fichier précédent.

RÉPÈTE

Pressez la touche REPETE afin de répéter tout le disque ou un fichier/chapitre spécifique du disque.

Pressez la touche REPETE pour passer d'un mode de répétition à un autre.

HAUT/BAS ET GAUCHE/DROITE

Utilisez ces touches (9-12) afin de bouger le curseur vers HAUT/BAS et GAUCHE/DROITE.

OK

Utilisez cette touche (13) afin de confirmer la sélection.

TOUCHES NUMÉRIQUES

Utilisez les touches (14-24) lorsque les fonctions nécessitent une entrée/sélection numérique comme la fonction GOTO.

MENU DVD

Lorsqu'un DVD est inséré dans l'appareil :

1. l'unité centrale commencera automatiquement la lecture depuis le début du disque et le MENU DVD (25) sera disponible.

2. Pressez les touches HAUT/BAS GAUCHE/DROITE (9-12) afin de bouger le curseur

au sein du MENU.

3. Pressez la touche OK (13) afin de confirmer la sélection.

PBC (UNIQUEMENT POUR LES DISQUES VCD)

Certains disques de type VCD et SVCD (disques de karaoke particulièrement) ont un menu afin de sélectionner le fichier désiré. Ce type de menu peut aussi être appelé MENU PBC (Playback Control).

Lorsque ce type de disque est inséré :

1. Lorsque l'option PBC est sélectionnée dans les autres réglages du menu réglage, la lecture/l'arrêt du disque commencera/s'arrêtera automatiquement sur le MENU PBC.

2. Pressez SUIVANT ou PRECEDENT afin de naviguer au sein des pages du MENU si disponible.

3. Utilisez les touches NUMERIQUES afin d'entrer le fichier ou piste que vous souhaitez visualiser. Pour les fichiers ou pistes numérotés, entrez simplement les deux chiffres consécutivement.

• Si vous ne souhaitez pas voir apparaître ce MENU PBC

Annulez cette fonction dans les autres réglages du menu réglages et la fonction PBC sera fermée. L'appareil lira alors le disque du début à la fin sans faire apparaître le MENU PBC.

• Si la fonction PBC a été annulée et que vous souhaitez la remettre en place, il vous suffit simplement de la sélectionner dans les autres réglages au sein du menu réglages. Notez qu'après avoir remis en place cette fonction, la piste/chapitre en cours de lecture sera stoppé et le MENU PBC apparaîtra.

Si aucune opération n'est effectuée dans les 10 secondes après l'apparition du MENU PBC, l'appareil reprendra la lecture de la première piste.

TOUCHE OSD

1. Pressez la touche OSD (26) afin de sélectionner le Menu Console. Reportez-vous au tableau ci-dessous pour le détail des fonctions.

2. La fonction/Menu Console est disponible uniquement sur les DVD/DVD audio/DVD-VD/ disques VCD et la fonction console peut varier selon le type de disque.

CONSOLE DVD-VR

SUJET	FUNCTION	METHODE DE SELECTION
Titre de la console	Affiche le titre de la piste actuelle et le nombre total de titres du disque. L'utilisateur peut naviguer d'un titre à un autre.	Pressez Gauche/Droite ou entrez les chiffres puis pressez Enter afin de confirmer.
Chapitre de la console	Affiche le numéro de l'actuel chapitre et le nombre total de chapitres du disque. L'utilisateur peut naviguer d'un chapitre à un autre.	Pressez Gauche/Droite ou entrez les chiffres puis pressez Enter afin de confirmer.
Heure de la console	Affiche la durée écoulée du disque en cours de lecture. L'utilisateur peut directement entrer la durée voulue de lecture.	Entrez les chiffres puis pressez Enter afin de confirmer.
Console audio et sortie audio numérique	Affiche la langue audio actuelle et la sortie audio numérique. L'utilisateur peut aussi sélectionner une autre langue audio disponible et sorties audio numérique.	Pressez Gauche/Droite ou utilisez la touche DVD AUDIO .
Sous-titre de la console	Affiche la langue utilisée pour les sous-titres actuels. L'utilisateur peut aussi sélectionner une autre langue pour les sous-titres.	Press Left/Right or use Subtitle button
Angle de la console	Display the current angle. User can also Affiche l'angle actuel. L'utilisateur peut aussi sélectionner un autre angle parmi les angles disponibles.	Pressez Gauche/Droite ou utilisez la touche Angle .

CONSOLE DVD AUDIO

SUJET	FUNCTION	METHODE DE SELECTION
Groupe de la console	Affiche le numéro du groupe actuel et le nombre total de groupes du disque. L'utilisateur peut naviguer d'un groupe à un autre.	Pressez Gauche/Droite ou entrez les chiffres puis pressez Enter afin de confirmer.
Piste de la console	Affiche le numéro de la piste actuelle et le nombre total de pistes du disque. L'utilisateur peut naviguer d'une piste à une autre.	Pressez Gauche/Droite ou entrez les chiffres puis pressez Enter afin de confirmer.
Heure de la console	Affiche la durée écoulée du disque en cours de lecture. L'utilisateur peut directement entrer la durée voulue de lecture.	Entrez les chiffres puis pressez Enter afin de confirmer.
Console audio et sortie audio numérique	Affiche la langue audio actuelle et la sortie audio numérique. L'utilisateur peut aussi sélectionner une autre langue audio disponible et sorties audio numérique.	Pressez Gauche/Droite ou utilisez la touche DVD AUDIO .
Sous-titre de la console	Affiche la langue utilisée pour les sous-titres actuels. L'utilisateur peut aussi sélectionner une autre langue pour les sous-titres.	Pressez Gauche/Droite ou utilisez la touche SOUS-TITRE .
Angle de la console	Affiche l'angle actuel. L'utilisateur peut aussi sélectionner un autre angle parmi les angles disponibles.	Pressez Gauche/Droite ou utilisez la touche ANGLE .
Page de la console	Affiche le numéro de la page actuelle lorsqu'un fichier AOTT est en cours de lecture. L'utilisateur peut naviguer d'une page à l'autre.	Pressez Gauche/Droite ou utilisez la touche ANGLE .

CONSOLE VCD

SUJET	FUNCTION	METHODE DE SELECTION
Console PBC	Indique si le mode PCB de l'appareil est activé. Le mode PCB peut seulement être affiché mais ne peut pas être modifié.	
Chapitre de la console	Affiche le numéro du chapitre actuel et le nombre total de chapitres sur le disque (PCB OFF). L'utilisateur peut naviguer jusqu'au numéro de chapitre désiré.	Pressez Gauche/Droite ou entrez les chiffres puis pressez Enter afin de confirmer.
Heure de la console	Affiche la durée écoulée du disque en cours de lecture. L'utilisateur peut directement entrer la durée de lecture voulue. La fonction de recherche de durée est uniquement valide pour la piste actuelle.	Press digit , then press Enter to confirm.
Console audio	Affiche la langue audio actuelle. L'utilisateur peut aussi changer la langue parmi le choix des propositions.	Entrez les chiffres puis pressez Enter afin de confirmer.

ZOOM

La fonction ZOOM (27) permet d'agrandir une partie des images enregistrées sur le DVD.

1. Pressez la touche ZOOM pour agrandir l'image par 4.
2. Pressez à nouveau la touche ZOOM pour agrandir l'image par 16.
3. pressez haut/bas gauche/droite afin de sélectionner la partie de l'image que vous souhaitez agrandir.
4. La 3ème pression sur la touche ZOOM annulera la fonction zoom et l'image retournera à la normale.

TITRE

Lors de la lecture d'un CD de données ou d'un CD audio, pressez la touche TITRE (28) afin de basculer sur 3 options : musique, photos et film. Pressez la touche TITRE (28) afin d'ouvrir le titre contenu sur le DVD alors que le DVD est en mode lecture.

SOUS-TITRE

q Pressez la touche SOUS-TITRE (29) une fois afin de faire apparaître dans le coin droit en haut de l'écran l'information sous-titre.
q A chaque pression de cette touche SOUS-TITRE, vous pouvez passer d'un sous-titre présent sur le disque à un autre.

DVD AUDIO

Pressez une fois la touche DVD AUDIO (30) afin de faire apparaître dans le coin droit en haut de l'écran l'information audio. Vous pourrez y lire la langue sélectionnée ainsi que l'information relative à la sortie audio numérique.

A chaque pression de cette touche DVD AUDIO, vous pouvez passer d'une langue ou information relative à la sortie audio numérique à une autre.

ANGLE

Pressez une fois la touche ANGLE afin de faire apparaître dans le coin droit en haut de l'écran l'information angle.

A chaque pression de cette touche ANGLE, vous pouvez passer d'un angle à un autre.

REGLAGE DU SYSTEME

REGLAGE

Lorsque l'autoradio est sur le mode stop/lecture, pressez la touche set up/réglage sur la télécommande ou pressez longuement la touche "AS/PS" sur l'autoradio afin d'obtenir le mode réglage.

- Lorsque le curseur se trouve en haut de l'écran allumé, pressez les flèches gauche/droite afin de passer d'une page à une autre.
- Pressez la touche représentant une flèche allant vers le bas afin d'obtenir la page de réglage et pressez les touches représentant des flèches allant vers le haut ou le bas afin de sélectionner les réglages que vous souhaitez modifier.
- Ouvrez la liste de sélection en pressant la touche représentant une flèche montrant la droite sur l'article sélectionné. Modifiez la sélection en utilisant les flèches haut et bas et pressez la touche enter.

SELECTION DE LA LANGUE AUDIO

Le menu langue est utilisé pour sélectionner le menu réglages et la langue OSD (On Screen Display) durant la lecture du disque mais aussi les instructions.

La sélection de langues inclus ; l'anglais, l'espagnol, le grec, le suédois, le néerlandais, l'italien et le polonais.

Disque audio: lorsque la lecture d'un DVD commence, l'unité centrale sélectionnera par défaut la langue audio de l'autoradio. Merci de noter que si la langue enregistrée sur le disque n'est pas disponible dans la liste des langues proposées dans le menu, la langue du disque sera utilisée. Si le disque est équipé d'une langue spécifique, cette langue sera utilisée.

Les fonctions de sous-titre et menu disque sont similaires à celles du disque audio.

REGLAGES DE L'ECRAN

Vous verrez d'abord un écran tel que celui présenté ci-dessous après avoir entré DISPLAY sur la page de menu réglage.

REGLAGESTV

L'image peut être visionnée sous 2 formats : 4:3 et 16:9, cela dépendra de l'écran dont vous disposez. Cet appareil est conçu pour afficher des images sur écran large sur une TV normale. L'option 16:9 est utilisée lorsque le lecteur DVD est connecté à une TV écran large.. l'écran affichera alors une image plein écran.

Le mode affichage peut uniquement être modifié lorsque le mode affichage TV est réglé sur 4:3. Deux options sont fournies : letterbox et panscan.

LETTERBOX

Cette option d'image affichera un écran panoramique et des bandes noires pourront apparaître en haut et en bas de l'écran.

PANSCAN

Cette option d'image affichera des images avec les bordures gauche et droite coupées afin de remplir l'écran. Ce mode est sélectionné lorsque l'image est affichée en version panoramique.

SORTIETV

Cette fonction sélectionne les formats de sortie vidéo : PAL ou NTSC, audio par défaut.

REGLAGE AUDIO

L'écran ci-dessous s'affichera dès que vous serez entré dans la page Menu de réglage audio.

FREQUENCE SAMPLE

- La fonction fréquence sample propose 2 options. Si le décodeur ou l'ampli connecté ne peut pas fournir d'entrée numérique avec une fréquence échantillonnée de 96KHz, la fréquence choisie sera une fréquence échantillonnée de 48KHz afin de compresser le signal en un signal standard. Après que la fréquence de 48KHz soit sélectionnée, l'appareil convertira automatiquement le signal de 96KHz en un signal de 48 KHz ainsi votre système sera capable d'exécuter le décodage des signaux.
- Si le décodeur est capable d'émettre des signaux numériques avec une fréquence échantillonnée de 96KHz, la fréquence choisie sera alors de 96KHz. Après que la fréquence de 96KHz soit sélectionnée, l'appareil sera capable d'émettre les signaux requis sans effectuer d'autres opérations.
- La sortie numérique fournie est une sortie audio 5.1 amplifiée.
- ON : sortie audio numérique allumée que vous pouvez connecter au récepteur audio numérique externe
- OFF : sortie audio numérique éteinte.

DYNAMIC RANGE COMPRESSION (DRC)

- ON : sélectionnez cette option pour enclencher le DRC afin que les dialogues restent audibles même à faible volume.
- OFF : sélectionnez cette option pour annuler le DRC et vous obtiendrez un son à l'identique du son enregistré

FONCTION DEVERROU

La page de réglage du verrou permet d'effectuer le contrôle parental. Le niveau du contrôle parental a plusieurs paliers.

Avant toute chose, vous devrez entrer votre code. Le code par défaut est 1234. après que le code soit entré correctement, le niveau du contrôle parental peut être modifié. Si vous n'avez pas entré de code pour le contrôle parental, le système vous demandera d'entrer un nouveau code.

Si vous faites une erreur avant d'avoir pressé entrée, pressez clear/annuler et entrez un nouveau code composé de 4 chiffres. Après que le nouveau code soit correctement entré, pressez haut/bas afin de modifier le niveau du contrôle parental. Il y a 9 niveaux de contrôle parental au total incluant le déblocage.

La fonction de contrôle parental est valable uniquement après que le disque soit éjecté. L'opération peut être effectuée après le réglage du contrôle parental.

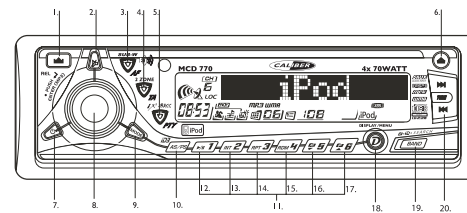
La fonction code est utilisée pour mettre en place un nouveau code ou modifier l'ancien. Avant que vous n'entriez dans cette fonction, le système vous demandera tout d'abord d'entrer l'ancien code. Le code de cet appareil est par défaut 1234. Le nouveau code ne peut pas être entré si l'ancien code n'a pas été saisi préalablement.

AUTRES REGLAGES

Cette page est utilisée pour définir le chargement par défaut et l'écran de veille.

FONCTIONNEMENT DU DVD – CONTROLE PAR FAÇADE

Lorsqu'un DVD est inséré dans l'appareil, la lecture commencera automatiquement au début du disque puis apparaîtront le MENU DVD, ROOT ou TITRE sur l'écran TFT et ROOT sur la façade.



MENU DVD

Lors de la lecture le menu DVD, Root ou Titre du disque, les touches de la façade de l'autoradio ont les fonctions suivantes :

- Rapide pression de la touche TITRE fait apparaître le menu DVD, Root ou Titre du DVD en cours de lecture. Pressez Titre à nouveau pour reprendre la lecture. Lors de la lecture d'un disque multiformat ou d'un CD audio, pressez la touche TITRE afin de naviguer entre les 3 options suivantes : musique, photos et film. Reportez-vous au paragraphe « disques multiformat » pour de amples informations.
- Le bouton de volume sert à mouvoir le curseur de gauche à droite sur le menu DVD, root ou titre.
- Les touches track haut/bas servent à mouvoir le curseur de gauche à droite sur le menu DVD, root ou titre.
- La touche audio sert à confirmer l'élément sélectionné sur le menu DVD, root ou titre.

DVD AUDIO (M6)

Lors de la lecture du DVD, la touche DVD AUDIO (M6) sur la façade a les fonctions suivantes :

- Sélection de la langue audio et de la sortie audio disponible sur le DVD en cours de lecture. A chaque pression de cette touche, vous passerez d'une langue à une autre.
- Lorsque la touche DVD AUDIO est pressée de façon répétitive, l'écran LCD affichera

« DVD audio 01 » Le nombre de DVD audio affiché sur l'écran LCD dépend du nombre de langues disponibles sur le DVD.

- La langue sélectionnée pour le son et la sortie audio sera affichée dans le coin gauche en haut du moniteur TFT.

OSD (AS/PS)

Lors de la lecture du DVD, la touche OSD (AS/PS) de la façade a les fonctions suivantes :

- Une courte pression de cette touche fera apparaître le menu console.
- Reportez-vous au paragraphe "opérations basiques de la télécommande pour le DVD" pour de plus amples détails des opérations relatives à la fonction OSD.

La fonction/menu console est uniquement disponible pour les DVD / DVD audio / DVD-VR / disques VCD et cette fonction peut être différente d'un type de disque à un autre. Le "menu OSD" s'affichera sur l'écran LCD pendant 10 secondes. L'utilisateur aura 10 secondes pour ajuster l'élément oSD sur le moniteur TFT. Si aucune manipulation n'est effectuée durant ces 10 secondes, l'appareil retournera au mode précédent. L'utilisateur peut aussi presser la touche AS/PS pour un retour plus rapide au mode précédent sans attendre 10 secondes. Sous le mode OSD, les touches suivantes ont les fonctions expliquées ci-dessous :

- Le bouton de volume sert à mouvoir le curseur de haut en bas sur le moniteur TFT.
- Les touches track haut et bas servent à mouvoir le curseur de gauche à droite sur le moniteur TFT.
- La touche audio sert à confirmer l'élément sélectionné sur le moniteur TFT.

REGLAGE (AS/PS)

Lors de la lecture du DVD, l'écran LCD affichera « réglages » et clignotera. L'utilisateur pourra utiliser les touches suivantes afin de procéder au réglage des éléments affichés sur le moniteur TFT :

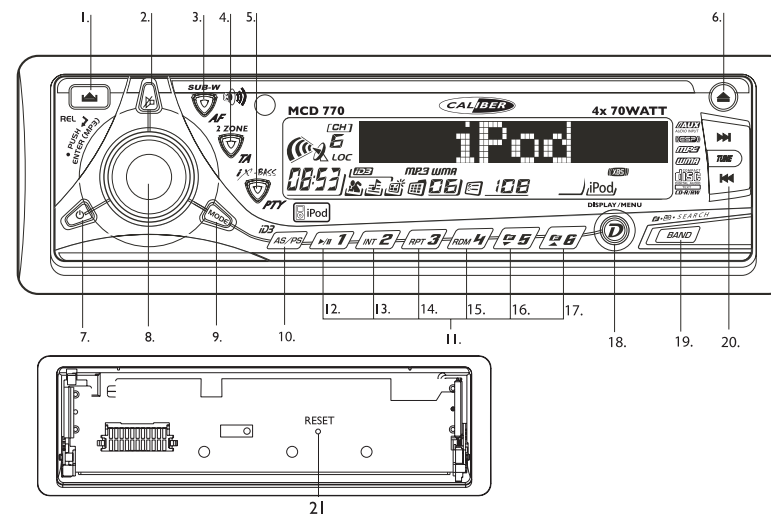
- Le bouton de volume sert à mouvoir le curseur de haut en bas et à naviguer au sein des différents éléments affichés sur le moniteur TFT.
- Les touches track haut et bas servent à mouvoir le curseur de gauche à droite mais aussi précédent et sélection
- Une nouvelle courte pression de la touche « réglage » ou une pression de la touche PLAY relancera la lecture du DVD.

RÉSOLUTION DES PROBLÈMES

Avant de consulter la liste suivante, vérifiez le câblage et les connexions.

Si le problème rencontré persiste après avoir contrôlé tous les éléments de la liste, adressez-vous au service après-vente d'un revendeur près de chez vous.

Symptôme	Cause	Solution
L'appareil ne s'allume pas.	Le contact du véhicule n'est pas mis.	Si l'alimentation est raccordée correctement aux circuits auxiliaires du véhicule, mettez la clé de contact en position « ACC »
	Le fusible a sauté.	Remplacez le fusible.
Il n'est pas possible de charger de disque ou le disque ne peut être éjecté.	Un disque se trouve déjà dans le lecteur.	Retirez le disque du lecteur, puis introduisez-en un nouveau.
	Le disque est introduit incorrectement.	Introduisez le disque l'étiquette imprimée vers le haut.
	Le disque est très sale ou il est défectueux.	Nettoyez le disque ou essayez un autre.
	La température du véhicule est trop élevée.	Mettez la climatisation en route ou attendez que la température ambiante redescende.
Il n'y a pas de son.	Le volume est au minimum.	Réglez le volume au niveau approprié.
	Les câbles ne sont pas raccordés correctement.	Vérifiez le câblage.
Le son saute.	L'angle d'installation est supérieur à 30 degrés.	Montez l'appareil selon un angle de moins de 30 degrés.
	Le disque est très sale ou il est défectueux.	Nettoyez le disque, puis essayez un nouveau.
Les touches et les boutons ne fonctionnent pas.	Le microprocesseur intégré ne fonctionne pas correctement, probablement en raison de parasites.	Appuyez sur le bouton RESET. Le panneau avant n'est pas fixé correctement.
La radio ne fonctionne pas.	Le câble de l'antenne n'est pas raccordé.	Enfoncez fermement le câble de l'antenne.
	Les signaux sont trop faibles.	Sélectionnez une station manuellement.
Error 1	Erreur Mechanism (mécanisme)	Appuyez sur la touche de réinitialisation RESET pour résoudre le problème. Si le code d'erreur ne disparaît pas, contactez votre revendeur le plus proche.
Pas de fichier	Format non supporté pour la lecture	Remplacez le disque
Erreur de disque	Peut-être disque sale/disque rayé/disque à l'envers	remplacez le disque



1. PANEEL VERWIJDER KNOP
2. MUTE KNOP
3. AF / SUB-W KNOP
4. TA KNOP
5. PTY / IX BASS KNOP
6. EJECT KNOP
7. AAN/UIT KNOP
8. VOLUME DRAAI KNOP
9. AUDIO SELECTIE KNOP/ MP3 ENTER KNOP
10. MODUS KNOP
11. AUTOMATISCH OPSLAAN / VOORINSTELLINGEN SCAN (AS/PS) / MP3 ID3 / IPOD INFORMATIE KNOP
12. VOORINSTELLINGEN RADIO KNOP (1~6)
13. PAUSE KNOP
14. STOP KNOP
15. REPEAT KNOP
16. SHUFFLE (RANDOM) KNOP/ DVD MENU
17. VORIGE FOLDER KNOP
18. VOLGENDE FOLDER KNOP
19. DISPLAY KNOP / MENU KNOP
20. BAND / MP3 ZOEK KNOP
21. TUNING OP/NEER, TRACK OP / NEER KNOPPEN
22. RESET KNOP

SPECIFICATIES

ALGEMEEN

Spanning	DC 11 -14V
Polariteit	Negatieve Massa
Luidspreker impedantie	4 ohms
Uitgangsvermogen	4 x 70W

CD SPELER

Systeem	Compact disc audio systeem
Bruikbare media	Compact disc, MP3, DVD video
Sampling frequentie	44.1KHz
Aantal kwantisatie bits	1bit
Frequentie	20-20,000Hz
Aantal kanalen	2 stereo
S/N Ratio	90dB

RADIO SECTIE

FM

Frequentiebereik	87.5-108 Mhz
Bruikbare gevoeligheid	Beter dan 15dB bij S/N 30dB
Stereo Scheiding	25dB bij 1KHz
S/N Ratio	50dB

MW

Frequentiebereik	522-1620 Khz
Middenfrequentie	450KHz
Bruikbare gevoeligheid	Beter dan 45dB
S/N Ratio	40dB

Opmerking :

Specificaties kunnen veranderen zonder verdere kennisgeving.

DISC PLAY

Voorzorgsmaatregelen

- Alleen gebruiken in een 12Volt - negatieve massa electrisch systeem.
- Koppel de negatieve terminal van de accu los, wanneer er aan de montage en bevestiging van deze unit gewerkt wordt.
- Vervang een gebroken zekering altijd door een zekering met dezelfde waarde, bij gebruik van een zekering met een hogere waarde kan de unit ernstig beschadigd raken.
- Demonteer deze unit nooit zelf, de laserstralen van de unit zijn schadelijk voor de ogen.
- Voorkom dat er vreemde voorwerpen in de unit terechtkomen, dit kan schade veroorzaken, en een gevaar voor de gezondheid vormen, door bijvoorbeeld electrische schokken of blootstelling aan de laserstralen.
- Wanneer uw auto voor langere tijd in een zeer warme of zeer koude omgeving heeft gestaan, wacht dan met de bediening van uw unit totdat er in de auto weer een normale temperatuur is.
- Houd het volume op een sterkte waarbij waarschuwingssignalen van buitenaf nog hoorbaar blijven (claxons, sirenes e.d.)

CD Opmerkingen

- Het afspelen van een defecte of vieze CD kan geluidsuitval tot gevolg hebben.
- Houd een CD vast zoals hiernaast afgebeeld.
- Raak de onbedrukte zijde van de CD niet aan.
- Plaats geen label, verzegeling of schijfbeveiliging op beide zijden van de CD.
- Stel de CD niet bloot aan direct zonlicht of extreme hitte.
- Reinig een vieze CD met een doekje, wrijvend vanuit het midden van de CD.
- Gebruik hiervoor nooit oplosmiddelen zoals benzine of alcohol!

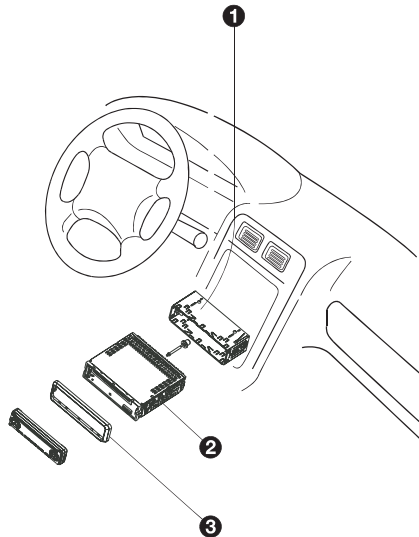
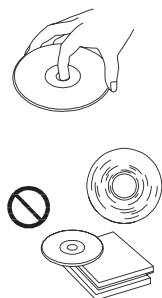
- Deze unit speelt geen 3 inch (8cm) CD's of onregelmatig gevormde CD's, plaats deze nooit in de unit. Deze CD's kunnen niet verwijderd worden met disfunctioneren als gevolg.

Voordat je begint:

Zet het volume niet te hoog, dit overstemt geluiden van buiten, wat voor gevaar tijdens het rijden kan zorgen. Zorg dat de auto stilstaat wanneer u ingewikkelde handelingen gaat verrichten.

Waarschuwing

Open de behuizing nooit zelf, en verricht geen reparaties. Ga hiervoor naar je dealer of de technische dienst.



Anti diefstal systeem
Deze unit is uitgerust met een afneembaar frontpaneel. Neem dit frontpaneel altijd mee, dit voorkomt diefstal.

Afnemen van het frontpaneel

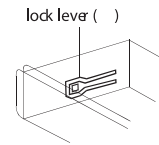
1. Houdt de PWR knop langer dan 2 sec. ingedrukt om de unit uit te schakelen.
2. Haal de linkerzijde van het paneel voorzichtig een stukje naar voren, en verwijder dan het paneel vanaf de rechterkant (REL knop).
3. Open het bijgeleverde doosje voorzichtig, en plaats het paneel hierin.

Plaatsen van het frontpaneel

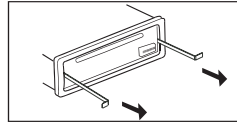
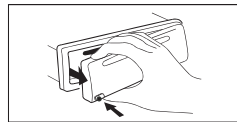
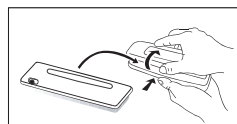
1. Plaats de unit in de opening, voor de paneelhouder.
2. Oefen voorzichtig druk uit op het frontpaneel totdat het vastklikt.

Verwijderen van de unit

1. Verwijder het frontpaneel en de afdeklijst.
2. Plaats meegeleverde T-sleutels in de openingen aan de voorzijde tot ze vastklikken.
3. Trek de unit er voorzichtig uit.



1. plaats de montagebeugel in het dashboard, en buig de bevestigingslipjes naar buiten met een schroevendraaier. Zorg ervoor dat de "lock lever" gelijk ligt met de bevestigingsrand, en niet naar buiten wijst.
2. Maak de achterzijde van de unit stevig vast. Na het vastzetten van de montagebout en power connector, bevestig u de achterzijde van de unit aan het dashboard.
3. Plaats de afwerkrand.



BASIS FUNCTIES

AAN/UIT

Druk op knop (7) "POWER" of ieder andere knop op de radio (behalve eject) om de unit in te schakelen. Druk knop (7) "POWER" nogmaals om de unit uit te schakelen.

FRONTPANEEL VERWIJDEREN

Druk op de REL knop (1) om het frontpaneel te verwijderen.

GELUIDS INSTELLINGEN

Houd knop (2) "MUTE" langer dan 3 seconden ingedrukt en Loudness wordt in- of uitgeschakeld.

MODE

Druk op knop (9) "MODE" om te schakelen tussen CD, USB, SD/MMC en radio.

DISPLAY

Druk herhaaldelijk op knop (18) "DISPLAY/MENU" en de volgende informatie verschijnt op het display:
Spectrum mode 1 -> Spectrum mode 2 -> Spectrum mode 3 -> Default Display

MENU FUNCTIES

Houd de knop (18) "DISPLAY/MENU" langer dan 3 seconden ingedrukt om in het menu te komen. Druk kort op de knop (8) "AUDIO" om verder te gaan naar de volgende optie. Je kan ook met de knoppen (20) Tuning op en neer naar de vorige of volgende optie in het menu gaan. Als de gewenste optie op het display verschijnt, draai dan binnen 5 seconden aan de volume knop om de optie te wijzigen. De volgende opties kunnen worden gewijzigd:

CONTRAST

Het contrast staat standaard ingesteld op "contrast 05". Draai de volume knop om het contrast te wijzigen van 00 naar 10.

KLOK FORMAAT

Het contrast staat standaard ingesteld op "CLK FORMAT 12". Draai de volume knop om het te veranderen naar 24 uur.

TIJD INSTELLING

De tijd van de klok staat standaard ingesteld op 12:00. Programmeer de huidige tijd door het gebruik van de volume knop. Draai de volume knop met de klok mee om de minuten in te stellen, Draai de volume knop tegen de klok in om de uren in te stellen.

PROGRAMMEERBAAR INSCHAKEL VOLUME (VOL PGM)

Met deze optie kun je het volume instellen die de radio automatisch aanneemt als je deze aanzet. Het inschakel volume staat standaard ingesteld op "VOL PGM 12", dat als de radio aanzet wordt deze het volume aanneemt dat als laatste ingesteld stond toen de radio was uitgezet. Draai binnen 5 seconden aan de volume knop om zelf een specifiek inschakel volume in te stellen.

BEEP TOON

Draai de volume knop om de volgende opties te selecteren:
BEEP ON: De pieptoon is ingeschakeld bij elke knop die wordt ingedrukt.
BEEP OFF: De pieptoon is uitgeschakeld.

AUDIO FUNCTIES

Druk op knop (8) "AUDIO" om in de audio set up te komen. Druk herhaaldelijk op knop (8) "AUDIO" om naar de volgende optie te gaan. Je kan ook met de knoppen (20) Tuning op en neer naar de vorige of volgende optie in het menu gaan. Als de gewenste optie op het display verschijnt, draai dan binnen 5 seconden aan de volume knop om de optie te wijzigen. De volgende opties kunnen worden gewijzigd:

VOLUME

Draai de volume knop (8) met de klok mee om het volume te laten toenemen, Draai de volume knop tegen de klok in om het volume te laten afnemen.

SUBWOOFER (SUBWOOFER NIVEAU)

Draai de volume knop (8) om het gewenste volume niveau te selecteren van "00" tot "12".
OPMERKING: De subwoofer niveau instelling verschijnt alleen in het Audio Menu wanneer de "Subwoofer" functie is ingeschakeld en er een subwoofer is aangesloten. Druk op knop (3) "SUB-W" om de subwoofer functie in te schakelen. Druk nogmaalsom uit te schakelen.

SUB-W LPF (SUBWOOFER LOW PASS FILTER)

Draai de volume knop (8) om de gewenste Low Pass Filter functie te selecteren: Flat, 80Hz, 120Hz of 160Hz.

OPMERKING: De subwoofer niveau instelling verschijnt alleen in het Audio Menu wanneer de "Subwoofer" functie is ingeschakeld.

IX-BASS (IX-BASS NIVEAU)

Draai de volume knop (8) om het gewenste Bass Boost niveau te selecteren: low, mid of high.
OPMERKING: De iX-Bass functie verschijnt alleen in het Audio Menu wanneer de "iX-Bass" functie is ingeschakeld. Druk op knop (5) "IX-BASS" om de iX-Bass functie in te schakelen. Druk nogmaalsom uit te schakelen.

BASS (BASS NIVEAU)

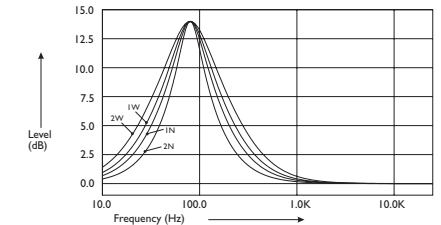
Draai de volume knop (8) om het gewenste Bass niveau te selecteren van "-6" tot "+6".

BASS-CFQ (BASS CENTER FREQUENTIE)

Draai de volume knop (8) om de gewenste Bass center Frequentie te selecteren: 60Hz, 80Hz, 100Hz of 200Hz.

BASS-Q (BASS Q FACTOR)

Draai de volume knop (8) om de gewenste Bass-Q factor te selecteren: 2N, 1N, 1W of 2W.





MIDDLE (MIDDLE NIVEAU)

Draai de volume knop (8) om het gewenste Middle niveau te selecteren van "-6" tot "+6".

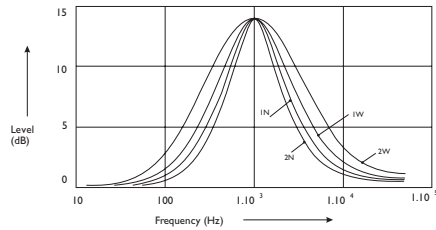
MID-CFQ (MIDDLE CENTER FREQUENTIE)

Draai de volume knop (8) om de gewenste Middle Center

Frequentie te selecteren: 500Hz, 1kHz, 1.5kHz of 2.5kHz

MIDDLE-Q (MIDDLE Q FACTOR)

Draai de volume knop (8) om de gewenste Middle-Q Factor te selecteren van 2N, IN, IW of 2W.



TREBLE

Draai de volume knop (8) om het gewenste Treble niveau te selecteren van "-6" tot "+6".

TRE-CFQ (TREBLE CENTER FREQUENTIE)

Draai de volume knop (8) om het gewenste Treble center Frequentie: 10kHz, 12.5kHz, 15kHz of 17.5kHz.

BALANCE

Draai de volume knop (8) voor de gewenste balans tussen de rechter en linker speakers: R12 (volledig rechts) naar L12 (volledig links)

FADER

Draai de volume knop (8) om voor de gewenste Fader tussen de voor en achter speakers: R12 (volledig achter) naar F12 (volledig voor).

RADIO FUNCTIES

BAND SELECTIE

Druk kort op knop (2) in de tuner modus om de gewenste band te selecteren. De band zal veranderen in deze volgorde: FM1, FM2, FM3 and MW.

STATION SELECTIE

Druk kort op de zoek knop (20) om het automatisch zoeken te activeren. Druk langer dan 2 seconden tot "MANUAL" in het display verschijnt, om het handmatig zoeken te activeren. Als de knoppen langer dan 3 seconden niet worden ingedrukt schakelt de radio automatisch terug naar "AUTO SEEK".

AUTOSTORE AS

-Automatisch opslaan

Druk langer dan 3 seconden op knop (10) "AS/PS" om AS te activeren. De radio zoekt naar de 6 sterkste stations en slaat deze op onder de preset knoppen in de huidige geselecteerde band.

OPMERKING: De nieuwe stations vervangen de eerder opgeslagen stations

PRESET SCAN PS

-Voorinstellingen scan

Druk korter dan 3 seconden op knop (10) "AS/PS". De unit geeft nu ieder geprogrammeerd station gedurende 10 sec weer. Druk nogmaals op knop (10) "AS/PS" als het gewenste station is bereikt.

Station store and recall

Druk op een van de preset knoppen (12-17) om een opgeslagen station te selecteren. Druk langer dan 2 seconden op een preset knop, het opgeslagen station zal overschreven worden door het huidige afgestemde station.

RDS (RADIO DATA SYSTEM) FUNCTIES

Deze unit heeft de volgende RDS functies: PI, PS, TP, PTY, TA en AF.

PI: Program identification code

Code voor identificatie programma's

PS: Program service name

Radiostations uitgedrukt in alfanumerieke characters

TP: Traffic program identification

Identificatie nummers voor verkeersinformatie

TA: Traffic announcement identification

Identificatie nummers geven aan of er verkeersinformatie wordt uitgezonden.

AF: Alternative frequencies

Frequentielijst van radiostations die hetzelfde programma uitzenden.

SETTING AF MODE

Druk korter dan 3 sec op knop (3) AF om AF ON/OFF te selecteren. Als de AF functie is ingeschakeld verschijnt "AF" op het display. De radio zal automatisch overschakelen naar een alternatieve radiozender bij een zwak signaal. Op het display verschijnt "ALARM" als er een nooduitzending wordt ontvangen; ondertussen wordt het volume niveau automatisch aangepast aan het vooraf ingestelde volume als het volume ingesteld is op het minimum.

GEbruik PTY OM EEN PROGRAMMA TE SELECTEREN

De PTY functie geeft je de mogelijkheid om een radiozender te zoeken met een specifiek programmatype. Druk korter dan 3 sec op knop (5) "PTY" om jouw programmatype te selecteren. In het display verschijnt: "pop music" of "news". Druk op een van de preset knoppen (1-6) om een muziekstijl of gesproken groep te selecteren.

Preset nummers

- 1 pop m, rock m
- 2 easy m, light m
- 3 classics, other m
- 4 jazz, country
- 5 nation m, oldies
- 6 folk m

Gesproken groep

- nieuws, politiek, info
- sport, educatie, drama
- cultuur, wetenschap, gevarieerd
- weer, financieel, kinderen
- social, religi, opbel programma
- reizen, vrije tijd, documentatie

Met de preset knoppen zoals hiervoor omschreven kun je de gewenste PTY selecteren. Als de gewenste PTY is geselecteerd zal de radio automatisch op zoek. Als de gewenste PTY niet wordt gevonden dan zal er gedurende 5 sec "NON PTY" op het display verschijnen en wordt de vorige modus hervat.

LUISTEREN NAAR VERKEERSINFORMATIE

Verkeersinformatie kan het afspelen van CD of radio onderbreken. Druk op knop (4) "TA" om de TA functie aan of uit te schakelen. Als de TA functie is ingeschakeld, zal de unit overschakelen naar de verkeersinformatie als deze wordt uitgezonden. Tijdens de verkeersinformatie, kun je deze onderbreken door kort op knop (4) "TA" te drukken. Zonder de TA functie uit te schakelen. Als je dit doet zal de unit terugkeren naar de vorige modus. Door lang op knop (4) "TA" te drukken schakel je de EONTA LOCAL/EONTA DX aan of uit.

EONTA LOCAL: De unit zal alleen overschakelen naar verkeersinformatie als het een zender. EONTA DX: De unit zal overschakelen naar verkeersinformatie bij alle zenders ongeacht de signaalsterkte.

CD FUNCTIES

Deze CD speler is geschikt voor 12cm CD's, gebruik geen ander formaat CD's.

TRACKS SELECTEREN

Druk tijdens het afspelen van de CD op knop (20) "▶▶" om naar de volgende track te gaan. Druk op knop (20) "◀◀" om naar de vorige track te gaan. Het geselecteerde tracknummer verschijnt op het display.

Houd knop (20) "▶▶" ingedrukt om snel vooruit te spoelen. Houd knop (20) "◀◀" ingedrukt voor snel teruguit te spoelen. De CD start met spelen als je de knop los laat.

PAUZE

Druk op knop (12) "▶/||" om de CD speler te pauzeren. Druk nogmaals om het afspelen te hervolgen.

HERHAAL DEZELFDE TRACK

Druk op knop (14) "RPT" om de geselecteerde track telkens te herhalen. Druk nogmaals om het herhalen te stoppen.

SCAN TRACKS

Druk op knop (13) "INT" om de eerste paar seconden van iedere track op de huidige CD

af te spelen. Druk nogmaals om de intro te stoppen en naar de gehele track te luisteren.

TRACKS AFSPLEEN IN RANDOM

Druk op knop (15) "RDM" om alle tracks in willekeurige volgorde af te spelen. Druk nogmaals om de functie te stoppen.

EJECT ▲

Druk op knop (6) "▲" om het afspelen te stoppen en de CD te verwijderen.

CD-R/RW AFSPLEEN

Afhankelijk van het type CD-R/RW CD, eventuele beschadigingen op de CD, de CD-brander, zullen sommige CD-R/RD CD's niet kunnen worden afgespeeld op deze unit.

MP3 FUNCTIES

MP3 bestanden selecteren

1. ZOEKEN OP TRACKNUMMER

Druk op knop (19) "BAND", op het display verschijnt "Number". Draai de volume knop (8) om het gewenste tracknummer te selecteren, druk op de volume knop (8) om te bevestigen en de geselecteerde track wordt afgespeeld.

2. ZOEKEN OP FOLDER/TRACKNAAM

Druk tweemaal op knop (19) "BAND", op het display verschijnt "Navigate". Draai de volume knop (8) om te navigeren door alle folder en sub-folders op de disc. De foldernamen verschijnen op het display. Druk de volume knop (8) langer dan 3 seconden in om de eerste track in de folder af te spelen. Druk de volume knop (8) korter dan 3 seconden in om de sub-folders of tracks te betreden. Draai de volume knop (8) om te navigeren, druk dan op de volume knop om de sub-folder te bevestigen of de track wordt afgespeeld. Druk op knop (10) "AS/PS" of draai de volume knop tegen de klok in tijdens het navigeren om terug te gaan naar het hoger level van een folder.

3. NAVIGEREN DOOR DE FOLDERS DMV DE VORIGE/VOLGENDE FOLDER (M5/M6) KNOPPEN

Druk op de volgende folder (M6) of vorige folder (M5) knoppen om te skippen door de huidige folders. Op een multi-level CD vindt de voortgang plaats in de huidige folder tot de laatste folder is bereikt. Druk op dat punt nogmaals op de vorige folder (5) om in deze folder te komen.

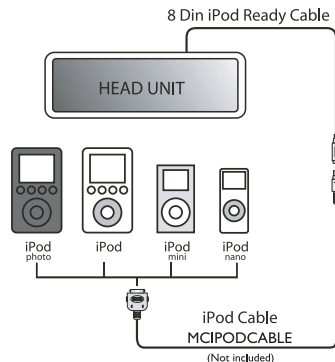
ID3 DISPLAY INFORMATIE

Als er één enkele MP3 file beschikbaar is met ID3 TAG, de volgende ID3 informatie zal door het display scrollen tijdens het afspelen van de track: Album titel -> Track titel -> Artiest

IPOD FUNCTIES

Deze unit is uitgerust met de iPod Ready functie. De gebruiker heeft directe controle over de iPod op het frontpaneel.

HET AANSLUITEN VAN DE IPOD



IPOD COMPATIBILITEIT OVERZICHT

Deze unit ondersteunt de volgende iPod software versies;

iPod 1G	Niet ondersteund
iPod 2G	Niet ondersteund
iPod 3G	Firmware versie 2.2
iPod Mini	Alle versies
iPod 4G	Alle versies
iPod Photo	Alle versies
iPod Nano	Alle versies
iPod 5G(video)	Alle versies

SELECTEREN VAN EEN VIDEO FILE

De unit ondersteunt iPod video weergave. Het is niet mogelijk om met de unit een Video file of Video album in de iPod te selecteren. De unit selecteert alleen muziek album of file. Indien u een video file op de iPod wilt selecteren, druk eerst 3 seconden of langer op de "AS/PS" toets om de iPod besturing op de radio uit te schakelen. De gewenste video file kan nu op de iPod zelf geselecteerd worden. De geselecteerde video file zal nu automatisch via de video uitgang op de radio weergegeven worden.



IPOD POWER AAN- EN UITSCHAKELEN

De iPod gaat automatisch aan wanneer deze verbonden is met de 30 Pin connector en zolang als het contact van de auto aanstaat. De iPod kan uitgeschakeld worden door de iPod van de 30 Pin connector te verwijderen of het contact van de auto uitzetten. De iPod gaat in de pauze stand en na 2 minuten in de sleep stand.

OPMERKING: Als de iPod verbonden is met de 30 Pin connector kan deze niet worden aan- of uitgeschakeld via de iPod.

BATTERIJ LADEN VAN DE IPOD

De iPod zal automatisch bijladen zolang het contact van de auto op de ACC of ON stand staat.

SCHAKELEN NAAR DE IPOD MODUS

Wanneer de autoradio aan staat en de iPod is verbonden met de 30 Pin connector, druk op knop (9) "MODE" om over te schakelen naar de iPod modus, "iPod" verschijnt voor even in het display. De autoradio start met het lezen van de tracks op de iPod en deze worden automatisch afgespeeld. Druk herhaaldelijk op knop (9) "MODE" om naar een andere modus over te schakelen of terug te gaan naar de iPod modus.

IPOD INFORMATIE OP HET DISPLAY VAN DE AUTORADIO

Druk herhaaldelijk op knop (10) "AS/PS" tijdens het afspelen van de iPod track, in het display verschijnt: Tracktitel -> Artiest -> Albumtitel -> verstreken tijd

ZOEKEN VAN DE GEWENSTE TRACK

Druk op knop (19) "BAND" om de iPod zoek functie te starten. Druk herhaaldelijk op knop (19) "BAND" om in de volgende zoek methodes te komen: 1. Playlijst -> 2. Artiest -> 3. Album -> 4. Track -> 5. Genre

Druk binnen 10 seconden op knop (8) om te bevestigen en de zoek functie te betreden, draai dan de volume knop (8) om te navigeren door het Album-, Artiesten- of Tracklijst op de iPod. Druk op knop (8) om te bevestigen en de geselecteerd track wordt afgespeeld. Druk op knop (10) "AS/PS" tijdens de zoek functie om snel terug te gaan naar het hoger level van de Albumlijst, Playlijst, Genre etc.

TRACK SELECTEREN

Druk tijdens het afspelen van de iPod op knop (20) " " voor de volgende tack. Druk op knop (20) " " voor de vorige track. Tracknummer verschijnt op het display. **Houd tijdens het afspelen van de iPod knop (20) " " ingedrukt voor snel vooruit spoelen. Houdt knop (20) " " ingedrukt voor snel terug spoelen. Als je de knop loslaat zal de iPod track vanaf dat punt verder gaan met afspelen.**

HERHAAL TRACK/HERHAAL ALLE

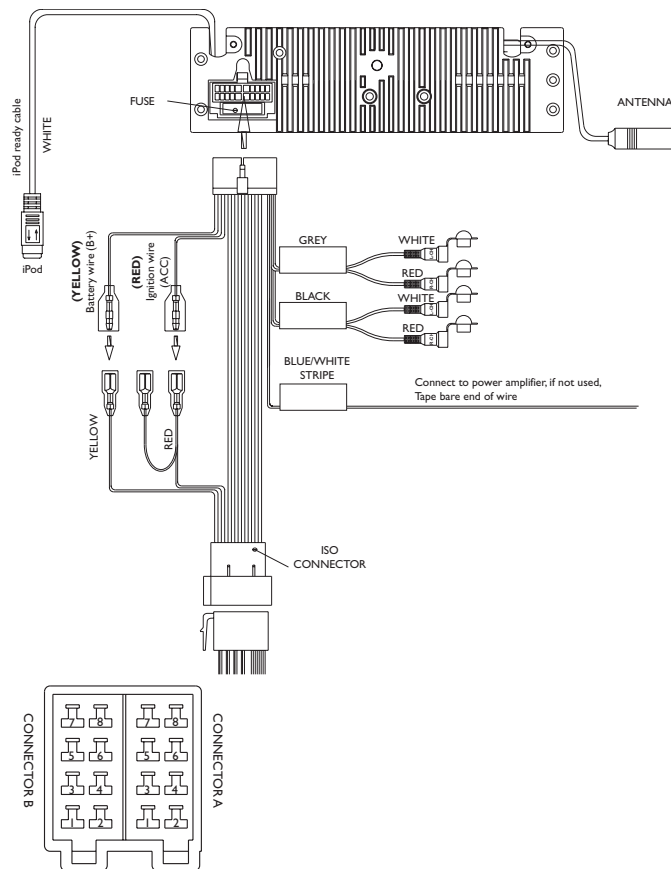
Druk op knop (14) "RPT" om de geselecteerde track te herhalen. Druk nogmaals om herhaal track te stoppen. Druk langer dan 3 seconden op knop(14) "RPT" om alle tracks te herhalen.

TRACKS/ALBUM AFSPLEN IN SHUFFLE

Druk op knop (15) "RDM" om alle tracks in willekeurige volgorde af te spelen. Druk nogmaals om de functie te stoppen.

Druk langer dan 3 seconden op knop (15) "RDM" om alle tracks in het huidige album in willekeurige volgorde af te spelen. Druk nogmaals om de functie te stoppen.

Druk herhaaldelijk op knop (10) "AS/PS" om de ID3 Tag informatie afzonderlijk te bekijken.

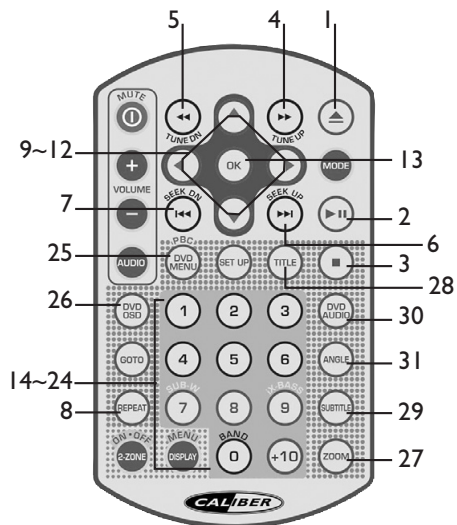
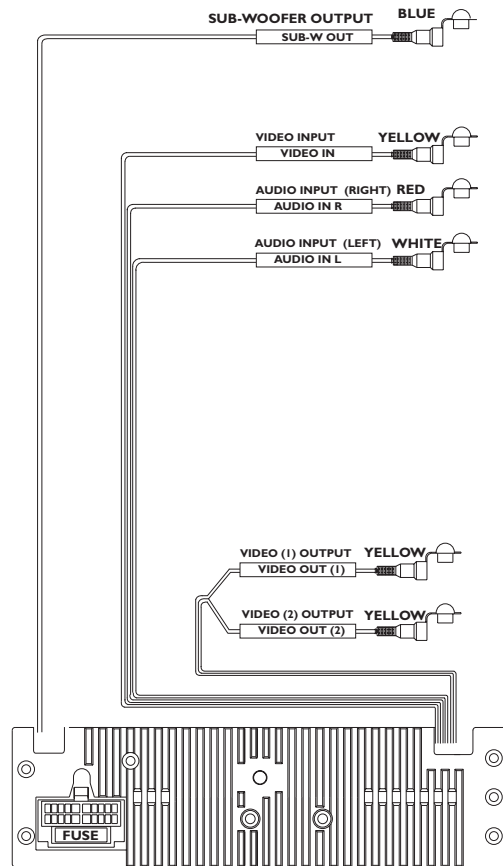


PIN	DRAAD KLEUR	FUNCTIE
A4	GEEL	ACCU (+)
A5	BLAUW	AUTO ANTENNE
A7	ROOD	ACCESSOIRE STAND (ACC)
A8	ZWART	MASSA
B1	PAARS	RECHTS ACHTER LUIDSPR(+)
B2	PAARS / ZWART	RECHTS ACHTER LUIDSPR (-)
B3	GRIJS	RECHTS VOOR- LUIDSPR (+)
B4	GRIJS / ZWART	RECHTS VOOR- LUIDSPR (-)
B5	WIT	LINKS VOOR- LUIDSPR (+)
B6	WIT/ ZWART	LINKS VOOR- LUIDSPR (-)
B7	GROEN	LINKS ACHTER- LUIDSPR (+)
B8	GROEN / ZWART	LINKS ACHTER- LUIDSPR (-)



DVD BEDIENING

DVD BEDIENING - AFSTANDBEDIENING



- | | |
|--|-----------------------------------|
| 1. EJECT | 13. OK |
| 2. PLAY/PAUSE | 14~24. NUMERIEKE TOETSEN |
| 3. STOP | 25. DVD MENU/PBC |
| 4. SNEL VOORUIT | 26. OSD (ON SCREEN DISPLAY) TOETS |
| 5. SNEL ACHTERUIT | 27. ZOOM |
| 6. VOLGENDE | 28. TITEL |
| 7. VORIGE / TERUG | 29. SUBTITEL |
| 8. HERHALEN | 30. DVD AUDIO |
| 9~12. OP/ NEER, LINKS / RECHTS TOETSEN | 31. ZICHTHOEK INSTELLING (ANGLE) |

BASIS BEDIENING

EJECT
Druk op de EJECT toets (1) om de disk uit de speler te nemen.

PLAY/PAUSE
Play; druk de PLAY toets (2) om de disk te starten indien deze in "stopmode" staat. Pause: druk de PAUSE toets (2) om een disk tijdelijk te stoppen

STOP
Druk de STOP toets (3) om de huidige weergegeven disk te stoppen.

SNEL VOORUIT / SNEL ACHTERUIT /
Druk de (4) of (5) toets om snel vooruit of -achteruit te zoeken. Met elke druk op de of toetsen, zal de disc op verschillende snelheden worden weergegeven. Er zijn 4 snelheidsniveaus: x2, x4, x16, x100. Er zijn 3 snelheden beschikbaar voor disk types anders dan DVD: x2, x4, x8. Druk de PLAY toets om terug te keren naar normale snelheid.

VOLGENDE
Zodra de "VOLGENDE" toets (6) wordt ingedrukt, zal de unit automatisch verder gaan naar de volgende map of nummer.

VORIGE / TERUG
Zodra de "Vorige / Terug" toets (6) wordt ingedrukt, zal de unit automatisch terug gaan naar het begin van de map of nummer. Indien de toets twee keer kort achter elkaar wordt ingedrukt, zal de unit terug gaan naar de vorige map of het vorige nummer.

HERHALEN
Druk de HERHAAL toets om de hele disk of een specifiek nummer, of map op de disk te herhalen. Druk meermalen op de HERHAAL toets om tussen de verschillende herhaal modi te schakelen.

OP / NEER EN LINKS / RECHTS
Druk de toetsen (9-12) om de cursor op/nee, en links/rechts te bewegen.

OK
Druk de OK toets (13) om de keuze te bevestigen.

NUMERIEKE TOETSEN
Druk de numerieke toetsen (14-24) voor directe keuze via numerieke invoer,

DVD MENU
Zodra een DVD disk wordt geladen; De unit zal automatisch weergave starten van het begin van de disk. Het DVD menu (25) zal worden weergegeven. Druk de OP/ NEER, LINKS / RECHTS (9-12) toetsen in om binnen het menu selecties te maken. Druk de OK (13) toets in om de selectie te bevestigen.

PBC (ALLEEN VAN TOEPASSING BIJ VCD DISKS)
Sommige VCD en SVCD disks (met name karaoke discs) hebben disk menu's om de informatie die de gebruiker wil zien te selecteren. Dit type menu wordt wel PBC (Playback Control) MENU genoemd.

Als dit type disk wordt afgespeeld;
1. Als de PBC optie is geactiveerd (ON) in het tabblad "Others / Overige" in het Setup Menu, zal de diskweergave automatisch starten of stoppen in bij de PBC MENU weergave.
2. Druk de "VORIGE" en "VOLGENDE" toets om door de vorige of volgende MENU paginas heen te gaan, indien beschikbaar.
3. Gebruik de "NUMERIEK" toetsen om het gewenste nummer of segment te selecteren. Voor een hoofdstuk of nummer wat uit meerdere cijfers bestaat, moet de juiste combinatie direct achter elkaar worden weergegeven (dus b.v. toets 1 en 4 wordt track 14)

Indien u geen gebruik wenst te maken van het PBC MENU. Zet de PBC optie op "OFF" in het tabblad "Others / Overige" in het Setup menu. De PBC functie zal niet meer worden weergegeven.. De unit zal de disk weergeven vanaf het begin, zonder PBC menu.

Als de PBC functie is uitgeschakeld, kan deze weer worden ingeschakeld via bovenstaande procedure. Als PBC weer wordt ingeschakeld, de huidige track /Hoofdstuk zal stoppen, en het PBC menu wordt weergegeven. Als binnen 10 seconden geen invoer is ontvangen zal de disk vanaf het begin starten.

OSD TOETS
1. Druk de OSD toets (26) om het instellingen Menu weer te geven, zie onderstaand tabel voor gedetailleerde bediening
2. Dit Menu is alleen beschikbaar bij DVD/ DVD Audio / DVD-VR en VCD disks. De beschikbare functies kunnen afwijken, afhankelijk van het type disk.



DVD-VR INSTELLINGEN

ITEM	FUNCTIE	SELECTIE METHODE
Titel instellingen	Weergave van huidige titel nummer en geeft total aantal titels op de disk weer. Gebruiker kan rechtstreeks het gewenste titelnummer selecteren.	Druk Links/Rechts of numerieke toetsen druk enter om te bevestigen.
Hoofdstuk instellingen	Weergave van huidige hoofdstuk en het totaal aantal hoofdstukken op de disk. Gebruiker kan rechtstreeks het gewenste hoofdstuknummer selecteren.	Druk Links/Rechts of voer waarde in, druk Enter om te bevestigen.
Tijd instellingen	Weergave van de reeds verstreken afspeeltijd. De gebruiker kan rechtstreeks de gewenste afspeelpunt bepalen.	voer waarde in, druk Enter om te bevestigen.
Instellingen Audio en digitale uitgang	Weergave van de ingestelde taal, hier kan ook geschakeld worden tussen verschillende beschikbare talen. Tevens informatie over digitale uitgang en schakeling tussen de beschikbare digitale uitgangen.	Druk Links/Rechts of druk DVD AUDIO toets.
Subtitle Instellingen	Weergave van de ingestelde ondertiteling taal, hier kan ook geschakeld worden tussen de verschillende beschikbare ondertitelingen	Druk Links/Rechts of gebruik Subtitle toets.
Hoekinstelling	Als meerdere zichthoeken beschikbaar zijn kan hier de gewenste zichthoek geselecteerd worden.	Druk Links/Rechts of gebruik Angle toets.

DVD AUDIO INSTELLINGEN

ITEM	FUNCTIE	SELECTIE METHODE
Groep instellingen	Weergave van huidige totaal aantal groepen op de disk. Gebruiker kan rechtstreeks het gewenste titelnummer selecteren.	Druk Links/Rechts of numerieke toetsen druk enter om te bevestigen.
Nummer instellingen	Weergave van huidige nummer en geeft total aantal nummers op de disk weer. Gebruiker kan rechtstreeks het gewenste nummer selecteren.	Druk Links/Rechts of numerieke toetsen druk enter om te bevestigen.
Tijd instellingen.	Weergave van de reeds verstreken afspeeltijd. Hier kan rechtstreeks het gewenste afspeelpunt geselecteerd worden.	Druk numerieke toetsen druk enter om te bevestigen.
Instellingen voor Audio en digitale uitgang	Weergave van de ingestelde taal, hier kan ook geschakeld worden tussen verschillende beschikbare talen. Tevens informatie over digitale uitgang en schakeling tussen de beschikbare digitale uitgangen.	Druk Links/Rechts of druk DVD AUDIO toets
Subtitle Instellingen	Weergave van de ingestelde ondertiteling taal, hier kan ook geschakeld worden tussen de verschillende beschikbare ondertitelingen	Druk Links/Rechts of druk Subtitle toets
Hoekinstelling	Als meerdere zichthoeken beschikbaar zijn kan hier de gewenste zichthoek geselecteerd worden.	Druk Links/Rechts of druk Angle toets
Pagina weergave	Geeft de huidige pagina weer tijdens het afspelen van AC3T. Gebruiker kan ook schakelen tussen verschillende pagina's.	Druk Links/Rechts of druk Page toets

VCD INSTELLINGEN

ITEM	FUNCTIE	SELECTIE METHODE
PBC instellingen	Geeft aan of de PBC mode actief is. De PBC "ON" kan alleen worden weergegeven en is niet beschikbaar voor wijzigingen.	
Hoofdstuk instellingen	Weergave van huidige hoofdstuk en het totaal aantal hoofdstukken op de disk (PBC OFF). Gebruiker kan rechtstreeks het gewenste hoofdstuknummer selecteren.	Druk Links/Rechts of numerieke toetsen druk enter om te bevestigen.
Tijd instellingen	Weergave van de reeds verstreken afspeeltijd. Hier kan rechtstreeks het gewenste afspeelpunt geselecteerd worden. De tijdpunt startfunctie is alleen beschikbaar voor het huidige nummer.	Druk numerieke toetsen druk enter om te bevestigen.
Audio instelling	Weergave van de huidige audio taal. Gebruiker kan ook schakelen tussen andere beschikbare talen.	Druk numerieke toetsen druk enter om te bevestigen.

INZOOMEN / UITVERGROTEN

De ZOOM functie (27) biedt de mogelijkheid een specifiek deel van op DVD opgenomen beelden uit te vergroten.

1. Druk één maal op de ZOOM toets voor een vergroting van 4x
2. Druk nogmaals op de ZOOM toets voor een vergroting van 16x
3. Met de Up/Down, Links/Rechts toetsen kan het gewenste oppervlak worden geselecteerd.
4. Door een derde keer op de ZOOM toets te drukken zal vergrotingsfunctie worden geannuleerd en het normale beeld zal worden weergegeven.

TITEL

Als een Data disk of audio CD wordt afgespeeld, kunnen via de TITLE (28) toets de volgende opties worden geselecteerd; Pagina's met Muziek, Foto of Film.

SUBTITEL

Druk de SUBTITLE toets (29) om de subtitle informatie weer te geven. Elke keer dat subtitle wordt ingedrukt zal andere subtitle informatie worden weergegeven, indien beschikbaar.

DVD AUDIO

Druk de DVD AUDIO toets (30) om de audio informatie weer te geven in de rechter hoek van het scherm. Taal selectie en digitale audio uitgang informatie zal worden weergegeven. Elke keer dat de DVD AUDIO toets wordt geselecteerd zal worden geschakeld tussen een andere audio taal en en audio uitgang, zoals beschikbaar op de disk.

KIJKHOEK INSTELLING

Druk de ANGLE toets (31) om de informatie over de gekozen kijkhoek weer te geven in de rechter bovenhoek van het scherm.

SYSTEEM SETUP

SET UP / INSTELLINGEN

Druk de Setup toets op de afstandsbediening of druk 3 seconden op de "AS/PS" toets op de afstandsbediening om het systeem setup menu weer te geven tijdens de de stop of weergave modus van een disk.

- Plaats de cursor aan de bovenkant van de setup pagina, en druk de links/rechts pijl toetsen om tussen de verschillende pagina's te schakelen.
- Via de pijltoets "omlaag" en "omhoog" kan binnen de pagina een instelling worden geselecteerd.
- Open het geselecteerde item door op de rechter pijl toets te drukken. Wijzig de selectie door de "op" en "neer" pijltoetsen. Bevestig met de "Enter" toets.

GESPROKEN TAAL INSTELLING VOOR DVD

De gesproken taal instelling bepaalt de taal van het setup menu en OSD (on screen display) tijdens het afspelen van een disk en bij bedieningsfuncties. De taal is onderandere inclusief; Engels, Spaans, Grieks, Zweeds, Nederlands, Italiaans en Pools, zie afbeelding.

Disk audio; als een DVD wordt weergegeven, zal de unit de disk afspelen in de standaard ingestelde taal van de unit. Als deze taal niet beschikbaar is op de disk, zal de taal worden gekozen waarop de disk origineel is opgenomen. Als een specifieke weergave taal op de disk staat, zal deze worden gekozen.

De functies "disc subtitle" en "disc menu" zijn gelijk aan die van disk audio, en zijn bedoelt als instelling van DVD ondertiteling en disk menu weergave

WEERGAVE INSTELLINGEN

Als "Display setup" menu wordt gekozen zal onderstaande afbeelding worden weergegeven.

TV BEELD AFMETINGEN

Afhankelijk van het type televisie, kunnen twee beeldverhoudingen worden geselecteerd; 4:3 voor normale TV formaat en 16:9 voor breedbeeld formaat. In 4:3 formaat kan ook Letterbox en Panscan worden geselecteerd.

LETTERBOX

Deze weergave zal op 4:3 formaat breedbeeld weergave. Hierdoor kunnen aan boven- en onderzijde van het scherm zwarte balken verschijnen.

PANSCAN

Deze weergave zal het beeld geheel invullen, waarbij aan de linker- en rechterzijde het beeld zal worden afgesneden. Deze optie wordt geselecteerd indien het beeld als panorama of compleet scan formaat wordt weergegeven.

TV UITGANG

De unit zal automatisch PAL of NTSC uitsturen, afhankelijk van het opname formaat. Audioweergave zoals standaard ingesteld.

AUDIO INSTELLING

Onderstaand scherm wordt weergegeven zodra de "audio setup" menu pagina wordt geselecteerd.

SAMPLE FREQUENCY

- De sample freq. instelling biedt twee mogelijkheden. Als de aangesloten versterker niet geschikt is voor het verwerken van signaal met een sampling frequentie van 96KHz (digitaal) biedt de unit de mogelijkheid om automatisch het 96KHz signaal te converteren naar 48KHz, waardoor het aangesloten systeem alsnog geschikt is om de aangeboden signalen te verwerken.
- Als de unit geschikt is voor het verwerken van 96KHz signalen, zal het altijd deze 96KHz signalen selecteren. Als 96KHz frequentie is geselecteerd, zal de unit alle signalen weergeven zonder enige verder noodzakelijke bediening.
- Het digitale signal wordt weergegeven via de 5.1 digital audio versterker.
- **ON:** de digitale audio output schakelaar op ON; Unit kan worden aangesloten op een externe digitale audio receiver.
- **OFF:** De digitale audio wordt uitgeschakeld.

DRC (DYNAMIC RANGE CONTROL)

- **ON:** Selecteer deze optie om de Dynamic Range Compressie te activeren. Dialogen zullen helder en duidelijk worden weergegeven, ook op lage volumes.
- **OFF:** Selecteer deze optie om de Dynamic Range Compressie uit te schakelen, waardoor een audio file wordt weergegeven zoals deze origineel is opgestart.

VERGRENDSEL INSTELLINGEN

Deze lock setup pagina wordt gebruikt voor de oudercontrole. Het rating item wordt gebruikt om het rating niveau in te stellen.

Voor het instellen van het rating item zal eerst om een wachtwoord gevraagd worden. Het standaard wachtwoord is 1234. Nadat het wachtwoord correct is ingevoerd kan het rating niveau aan worden gepast. Indien u nog niet eerder een wachtwoord heeft



ingevoerd zal het systeem u verzoeken een nieuw wachtwoord in te voeren.

Wanneer u een fout maakt bij het invoeren voordat u op enter heeft gedrukt, drukt u op clear en voert u de 4 cijfers opnieuw in.

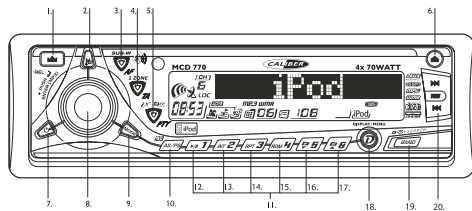
Nadat het wachtwoord succesvol is ingevoerd kunt u met op/nee het rating niveau van de oudercontrole aanpassen. Er zijn in totaal 9 niveaus.

De oudercontrole is alleen geldig nadat de disk is uitgeworpen. Het wachtwoord item kan worden gebruikt om een nieuw wachtwoord in te voeren of het oude te wijzigen. Om toegang te krijgen tot dit item dient u eerst het oude wachtwoord in te voeren. Het standaard wachtwoord is 1234. Het nieuwe wachtwoord kan niet worden ingevoerd voordat het oude wachtwoord correct is ingevoerd.

OVERIGE INSTELLINGEN

Op deze pagina kunt u de screen saver laden

DVD BEDIENING - CONTROLE



PANEEL

Zodra een DVD in de unit is geplaatst zal de unit automatisch beginnen met afspelen, en zal het DVD MENU, ROOT of TITEL van de DVD disk verschijnen op het LCD scherm. De afbeelding hieronder is een voorbeeld

DVD MENU

Tijdens het afspelen van een DVD hebben de volgende toetsen de volgende functies binnen het DVD menu.

- Volume knop is cursor op/nee om de highlight van een item in het DVD menu, Root of Titel te verplaatsen.
- Track op / track neer toetsen voor links en rechts om de highlight van een item in het DVD menu, Root of Titel te verplaatsen.
- Audio toets om het geselecteerde item te bevestigen in het DVD menu, Root of Titel.

PLAY/PAUSE (M1)

Tijdens het afspelen van een DVD kunt u kort op de "play" toets drukken om een geselecteerd item in het DVD menu, root of titel te bevestigen. Zodra de DVD wordt afgespeeld verschijnt TOIC01 0:00:03 in het display (dit is de huidige positie van afspelen: Titel: Hoofdstuk: afgespeelde tijd). Zodra de DVD afgespeeld wordt heeft de Play toets de volgende functie:

- Play: druk op play om het afspelen te vervolgen wanneer de unit op "stop" staat. De laatste positie van afspelen wordt hervat.
- Pause: Pauzeert het afspelen van de DVD.

STOP (M2)

Zodra de DVD disk wordt afgespeeld heeft de STOP toets (M2) de volgende functies:

- Stopt het afspelen, druk nogmaals op STOP om het afspelen te hervatten vanaf de positie waar u de DVD heeft stopgezet.
- Druk tweemaal op de STOP toets om de disk te stoppen en vanaf het begin te hervatten.

VOLGENDE (▶▶)

De unit zal na het indrukken van deze toets automatisch naar het volgende hoofdstuk of track gaan en afspelen beginnen

VORIGE (◀◀)

De unit zal na het indrukken van deze toets automatisch naar het vorige hoofdstuk of track gaan en afspelen beginnen

SNEL VOORUIT/ SNEL ACHTERUIT (▶▶ / ◀◀)

Zodra u op de ▶▶ of ◀◀ toets drukt tijdens het afspelen zal de unit sneller vooruit of achteruit spelen. De unit kan op verschillende snelheden voor- of achteruit spelen.

- Door herhaaldelijk op de ▶▶ of ◀◀ toets te drukken kunt u verschillende snelheden selecteren. Er zijn 4 snelheidsniveaus voor DVD disks: x2, x4, x8 en x16.
- Er zijn 3 snelheidsniveaus voor disks anders dan disks: x2, x4 en x8.

HERHALEN (RPT/M3)

Met deze functie kunt u de hele disk of slechts een specifieke track of hoofdstuk herhalen. Druk meerdere malen op de RPT toets om te wisselen tussen de verschillende herhaal modi.

TITEL (RDM/M4)

Tijdens het afspelen van een DVD heeft de "title" toets (RDM/M4) op het controlepaneel de volgende functies:

- Druk kort op de "title" toets om het DVD menu op te roepen. Druk nogmaals op de toets om het afspelen te vervolgen.

Zodra u een multi-formaat disk of een audio CD afspeelt drukt u op de "title" toets om te schakelen tussen de verschillende opties (muziek, foto, film).

Tijdens afspelen hebben de volgende toetsen deze functies:

- Volume op/nee toets als links/rechts cursor om de highlight in het DVD menu, root of titel te verplaatsen
- Track op / track neer toetsen voor links en rechts om de highlight van een item in het DVD menu, Root of Titel te verplaatsen.
- Audio toets om het geselecteerde item te bevestigen in het DVD menu, Root of Titel.

DVD AUDIO (M6)

Tijdens het afspelen van een DVD heeft de "DVD audio" toets de volgende functies:

- Selecteren van de op de DVD beschikbare audio taal en audio uitvoer. Iedere keer dat de "DVD audio" toets wordt ingedrukt wordt de volgende beschikbare taal en uitvoer geselecteerd.
- Herhaaldelijk indrukken van de "DVD audio" toets zal het display "DVD audio 01" weergeven. Het nummer dat wordt weergegeven is afhankelijk van het aantal beschikbare audio talen en uitvoer.
- De geselecteerde taal en de digitale audio uitvoer worden weergegeven in de linker bovenhoek van de TFT monitor.

OSD (AS/PS)

Tijdens het afspelen van een DVD heeft de "OSD"(AS/PS) toets op het controlepaneel de volgende functies:

- Kort indrukken roept het console menu op. Raadpleeg het hoofdstuk "DVD basis bediening afstandsbediening" voor details over "OSD".

Deze functie/menu is alleen beschikbaar bij DVD/DVD audio/DVD-VR/VCD disks en de beschikbare functies kunnen verschillen per type. Het "OSD" menu wordt weergegeven op het display en blijft 10 seconden staan. U heeft 10 seconden om het OSD item aan te passen. Indien er binnen deze 10 seconden geen wijzigingen zijn gemaakt keert de unit terug naar de vorige modus.

U kunt ook met de AS/PS toets snel terugkeren naar de vorige modus.

- In de OSD modus hebben de volgende toetsen deze functies:
- Volume knop cursor op/nee om de highlight balk te verplaatsen.
 - Track op/nee toets als links/rechts cursor om de highlight balk te verplaatsen.
 - Audio toets om de selectie te bevestigen.

SET UP (AS/PS)

Tijdens het afspelen of in de stop-modus heeft de "set up" (AS/PS) toets op het controlepaneel de volgende functie:

- Houdt de "set up" (AS/PS) toets lang ingedrukt om het systeem set up menu op te roepen.

Raadpleeg het hoofdstuk "DVD basis bediening afstandsbediening" voor details over "set up".

Na het indrukken van de set up toets geeft het display "set up" weer en blijft knipperen. U kunt de volgende toetsen gebruiken om de weergegeven set up items aan te passen:

- Volume knop als cursor op/nee om te navigeren door de set up items.
- Track op/nee als links/rechts/vorige/selecteer om te navigeren door de set up items.
- Druk nogmaals kort op de "Set up" toets of "play" toets om het afspelen te hervatten.

PROBLEEMEN OPLOSSEN

Controleer voordat u de checklist doorloopt de bedrading. Als zich na het doorlopen van de checklist nog problemen voordoen, neem dan contact op met uw dealer.

Probleem	Oorzaak	Oplossing
Geen stroom	De auto is niet gestart	Als de stroomtoevoer op de juiste wijze is aangesloten op de accessoirestand, draai de startsleutel naar "ACC"
	Kapotte zekering	Vervang de zekering
CD wordt niet geladen of uitgeworpen	Er bevindt zich al een CD in de speler	Verwijder eerst de CD uit de speler en plaats een andere
	De CD is met de verkeerde zijde boven geplaatst	Plaats de CD met de labelzijde boven
	De CD is erg vies of defect	Reinig de CD of plaats een andere CD
	De temperatuur in de auto is te hoog	Laat de temperatuur in de auto eerst afkoelen totdat deze weer normaal is
	Condensatie	Laat de speler een uur lang uitgeschakeld staan en probeer het dan opnieuw
Geen geluid	Geluidsvolume is op het minimum ingesteld	Pas het geluid aan naar het juiste volume
	Bedrading is niet op de juiste wijze aangesloten	Controleer de aansluiting van de bedrading
CD slaat over	De unit is in een grotere hoek dan 30 graden gemonteerd	Monteer de unit opnieuw, in een hoek kleiner dan 30°
	De CD is erg vies of defect	Reinig de CD of plaats een andere CD
De bedieningsknoppen werken niet	De ingebouwde computer functioneert niet naar behoren vanwege ruis	Druk de RESET knop in. Het frontpaneel is niet goed bevestigd
De radio werkt niet	De antennekabel is niet aangesloten	Sluit de antennekabel stevig aan
	De signalen zijn te zwak	Kies handmatig de gewenste zender
Error 1	Mechanisme error	Druk op de reset knop om het probleem te verhelpen. Als de error melding niet verdwijnt neem dan contact op met uw dealer.
Geen file	Er bevinden zich geen geschikte file formaten op de disc	Vervang de disc
Disc error	Misschien is de disc vies/disc beschadigd/disc op zijn kop	Vervang de disc

