

1. PANEL RELEASE BUTTON
2. BAND/LOUD BUTTON
3. AF BUTTON
4. TA BUTTON
5. PTY BUTTON
6. DISC EJECT
7. POWER BUTTON
8. ROTARY VOLUME KNOB  
AUDIO SELECT BUTTON/ MP3 ENTER BUTTON
9. MODE BUTTON
10. AUTOMATICALLY STORE/PRESET SCAN (AS/PS)/MENU BUTTON
11. PRESET STATIONS BUTTONS (1-6)
12. PAUSE BUTTON
13. SCAN BUTTON
14. REPEAT BUTTON
15. SHUFFLE (RANDOM) BUTTON
16. PREVIOUS FOLDER BUTTON
17. NEXT FOLDER BUTTON
18. DISPLAY BUTTON/ MP3 ID3 BUTTON
19. USB COVER
20. TUNING UP/DOWN, TRACK UP/DOWN BUTTONS
21. SD/MMC CARD INPUT
22. RESET BUTTON

## SPECIFICATIONS

### GENERAL

Power Supply	DC 11 -14V
Polarity	Negative Ground
Speaker impedance	4 ohms
Power Output	4 x 55W

### CD PLAYER

System	Compact disc audio system
Usable disc	Compact disc
Sampling frequency	44.1KHz
No of quantization bits	1bit
Frequency	5-20,000Hz
Number of channels	2 stereo
S/N Ratio	70dB

## RADIO SECTION

### FM

Frequency Range	87.5-108 Mhz
Usable Sensitivity	Better than 15dB at S/N 30 dB
Stereo Separation	25 dB at 1KHz
S/N Ratio	50 dB

### AM/MW

Frequency Range	522-1620 KHz
Intermediate Frequency	450KHz
Usable Sensitivity	Better than 45dB
S/N Ratio	40 dB

### REMARK :

Specifications subject to change without notice.

## DISC PLAY

### PRECAUTIONS

- Use only in a 12-volt DC negative-ground electrical system.
- Disconnect the vehicle's negative battery terminal while mounting and connecting the unit.
- When replacing the fuse, be sure to use one with an identical amperage rating.
- Using a fuse with a higher amperage rating may cause serious damage to the unit.
- DO NOT attempt to disassemble the unit. Laser beams from the optical pickup are dangerous to the eyes.
- Make sure that pins or other objects do not get inside the unit; they may cause malfunctions, or create safety hazards such as electrical shock or laser beam exposure.
- If you have parked the car for a long time in hot or cold weather, wait until the temperature in the car become normal before operating the unit.
- Keep the volume at a level at which you can hear outside warning sounds (horns sirens, etc.).

### CD NOTES

- Playing a defective or dusty CD can cause dropouts in sound.
- Hold CDs as illustrated.
- DO NOT touch the unlabeled side.
- DO NOT attach any seal, label or data protection sheet to either side of a disc.
- DO NOT expose a CD to direct sunlight or excessive heat.
- Wipe a dirty CD from the center outward with a cleaning cloth.
- Never use solvents such as benzine or alcohol.
- This unit cannot play 3-inch (8cm) CDs.
- NEVER insert a 3-inch CD contained in the adapter or an irregularly shaped CD.
- The unit may not be able to eject it, resulting in a malfunction.

### BEFORE OPERATION

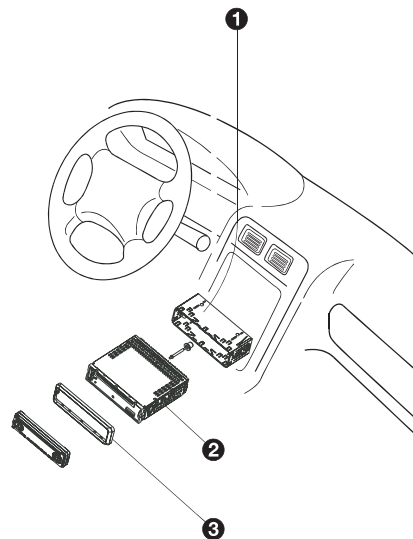
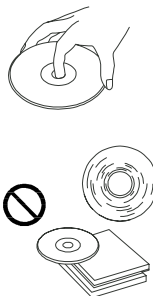
- DO NOT raise the volume level too much, as this will block outside sounds, making driving dangerous.
- Stop the car before performing any complicated operation.

### CAUTION

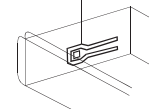
DO NOT open covers and do not repair by yourself. Consult the dealer or an experienced technician for help.

### Installation procedures

First complete the electrical connections, and then check them for correctness.



lock lever ( )



1. Insert mounting bracket into the dashboard, and bend the mounting tabs out with a screwdriver. (Make sure that lock lever is flush with the mounting bracket. Not projecting outward)
2. Secure the rear of the unit After fixing mounting bolt and power connector; fix the rear of the unit to the car body by rubber cushion.
3. Insert trimplate

### Anti-Theft System

This unit is equipped with a detachable panel. Removing this panel makes the radio totally inoperable.

#### Removing the panel

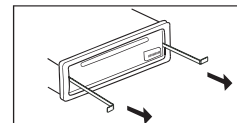
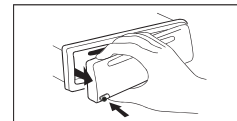
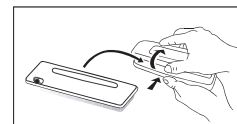
1. Switch off the power of the unit.
2. Remove the detachable panel.
3. Gently press the button of the case and open the cover. Place the panel into the case and take it with you when you leave the car.

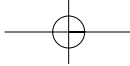
#### Install detachable panel

1. Fix right part of face plate in the right part of panel slot of the unit.
2. Press down the left side of the face plate until it clicks into the panel slot of the unit.

#### Remove the unit

- Switch off the power of the unit.
1. Remove the panel and the trim plate.
  2. Insert both T-Keys into hole in front of the set until they lock.
  3. Pull out the unit.





## BASIC OPERATIONS

### ON/OFF

Switch on the unit by pressing POWER button(7) or any other button on the radio (except eject) when system is on, press POWER button(7) to turn off the unit.

### FACEPANEL RELEASE

Press REL button (1) to remove the facepanel.

### SOUND ADJUSTMENT

Press button (8) volume knob to enter the sound set up,the sound set up will change in the following order Volume, Bass,Treble, Balance, Fader and back to Volume. Press button (2) "BAND/LOUDNESS" longer then 3 seconds then Loudness will be activated or deactivated.

### SOURCE

Press button (9) "MODE" to switch between CD, USB, SD/MMC and radio.

### BEEPS 2ND, BEEP ALL, BEEP OFF

Press button (8) "VOLUME KNOB" longer then 3 seconds. Now press the volume knob until you see "BEEP" in the display.You can rotate the volume knob to select the following options:

BEEP 2ND Beeps only when the second function of the dual function button is selected (long press).

BEEP ALL Beeps when any button is pressed.

BEEP OFF To disable the beep option.

## RADIO OPERATIONS

### BAND SELECTION

At tuner mode, press button (2) shortly to select the desired band.The reception band will change in the following order: FM1, FM2, FM3 and MW

### STATION SELECTION

Press up or down button (20) shortly to activate automatic seek function. Press for 2 seconds until " MANUAL" appeared on the display, the manual tuning Mode is selected. If the buttons are not touched for more then 3 seconds it automatic goes back to "AUTO SEEK"

### AUTOSTORE AS

-Automatic Memory Storing

Press func button (10) "AS/PS" longer then three seconds , activate AS.The radio searches for the 6 strongest stations and stores them into the preset of the currently selected band.

**NOTE:** Any stations that were previously stored in this memory bank are replaced by a new station.

### PRESET SCAN PS

Press func button (10) "AS/PS" for less then three seconds.The unit will pause for ten seconds at each preset station. Press button (10) "AS/PS" again to stop scanning when the desired station is reached.

### Station store and recall

Press any one of the preset buttons (12 to 17) to recall a station which had been stored in the memory. Press a preset button for 2 seconds, previous preset station is overwritten by current tuned frequency.

## RDS (RADIO DATA SYSTEM) OPERATIONS

The RDS data are the PI, PS, TP, PTY, TA and AF data.

PI: Program identification code

Code for identifying program

PS: Program service name

Broadcast station name data expressed

In alphanumerically character

TP: Traffic program identification

Identification data for traffic information broadcasting station

TA: Traffic announcement identification

Identification data showing traffic information is being transmitted or not

AF: Alternative frequencies

Frequency list of broadcasting station transmitting the same program

### SETTING AF MODE

Press button (3) AF for less then three seconds to select AF to be ON or OFF Whenever AF is switched on, symbol "AF" appears on the display.

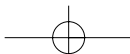
The tuner will return to Alternative Frequencies whenever the reception signals getting worse."ALARM" will be displayed when an emergency broadcasting is received;meanwhile sound output level will be adjusted to the preset output level automatically when the volume control is set at minimum.

### USING PTY TO SELECT PROGRAM

The PTY function allows you to search for stations with a particular program type. To select your program type, press the button (5) "PTY" less then three seconds. Display will show:"pop music" or "news."

Now you can select the music type or speech type using preset keys 1 to 6 for your selection as listed table:

Preset number	PTY "pop" group	PTY in "news" group
1	pop m, rock m	news,affairs,info
2	easy m, light m	sport,educatie,drama
3	classics, other m	culture, science, varied
4	jazz, country	weather, finance, childeren
5	nation m, oldies	social, religion, phone in
6	folk m	travel, leisure, document



While selecting PTY engagement, its selection is implemented by preset button as described in notes. When PTY is selected, the radio starts to search corresponding PTY information is detected. If corresponding PTY information is not found, normal radio reception is resumed. After the text "NON PTY" is at the display for 5 seconds.

#### LISTENING TO TRAFFIC ANNOUNCEMENT

Traffic announcement can interrupt CD play or radio listening when broadcast. Briefly press the button (4) "TA" to select the TA mode on or off. When TA mode is on, you will hear the traffic announcement when broadcast. During traffic announcement, you can interrupt it by short press of TA button (4). Without switching off the TA mode. By doing so, the set will return to the previous operating mode. Long press on TA button (4) allows ON/OFF selection of EONTA LOCAL/EONTA DX. EONTA LOCAL will only allow traffic announcement from strong station to come through. EONTA DX selection will allow all received announcements to interrupt CD play or radio listening.

#### ADVANCED RDS SETTINGS

Press the volume knob (8) for more than three seconds to enter the advanced RDS settings menu.

##### A) TA SEEK or TA ALARM

###### - TA SEEK mode:

When TP information gets lost at the current station for retune time which is set by RETUNE SHORT (30 sec.) or RETUNE LONG (90 sec.), the radio starts to retune to next same PI station.

###### - TA ALARM mode:

When TP information gets lost at the current station beeps will be heard.

##### B) PI SOUND or PI MUTE

In some countries, there is a possibility of having 2 different stations with same frequencies but different PI.

If PI SOUND is selected, radio will switch to the new PI station for few seconds before switch back to current PI station.

If PI MUTE is selected, radio will mute when a new PI station is received.

##### C) RETUNE L or RETUNE S.

When PI information is not caught for retune time, the radio starts to retune to next same PI station.

RETUNE L mode: Retune time selected as 90 seconds.

RETUNE S mode: Retune time selected as 30 seconds.

##### D) MASK DPI or MASK ALL

- MASK DPI mode: Masked only the AF which has different PI.

- MASK ALL mode: Masked the AF which has different PI and any other interfering non PI station which having the same transmitting frequency.



#### CD OPERATIONS

This CD player is suitable for 12cm disc, do not use irregular shaped CD.

#### SELECT TRACKS

During CD operations, press button (20) "▶▶" for next track. Press button (20) "◀◀" for previous track. Tracknumber shows on display.

During CD operation, hold button (20) "▶▶" for fast forward. Hold button (20) "◀◀" for fast reverse. Cd will starts from when you release the button.

#### PAUSE

Press button (12) "▶/||" to pause the CD player. Press it again to resume play.

#### REPEAT THE SAME TRACK

Press button (14) "RPT" to continuously repeat the same track. Press it again to stop repeat.

#### SCAN TRACKS

Press button (13) "SCN" to play first several seconds of each track of current CD. Press again to stop intro and listen to track.

#### PLAY TRACKS IN SHUFFLE

Press button (15) "SHF" to play all tracks on CD in random order. Press again to cancel the function.

#### EJECT

Press button (6) "▲" to stop playing and eject the CD.

#### PLAYING A CD-R/RW

Depending on the type of CD-R/RW CD, surface condition of the CD, as well as writer, certain CD-R/RW CD may not operate normally on this unit.

#### MP3 FUNCTION

##### How to select MP3 files

###### 1. SEARCHING TRACK

By using volume knob. Rotate the volume knob to scroll through the numbers, then press MP3 enter button (2) to confirm.

###### 2. SEARCHING BY DIRECTORY AND TRACK NAME

By using volume knob (8). Under MP3 play mode, press MP3 menu button (10) twice, the display shows "3\*:". Rotate the volume knob (8) for selecting the character. In this search mode, select button (8) use as move cursor. Press band/loud button (2) use as MP3 confirm button. The unit searches files and directories which have the same character which is inputted by the user. The unit shows these sorted files and directories

by volume knob (8) (rotate anti-clockwise first). If the selected name is directory, the user can go into the selected directory by press MP3 confirm button (2) and continue to search the directory or file name in the directory by volume knob (8) (rotate anti-clockwise first). The selected file can be played by pressing MP3 enter button (2).

### 3. SEARCHING FROM DIRECTORY

By using volume knob (8). Under MP3 play mode, press MP3 menu button (10) three times, then the first directory name is shown. Rotate volume knob (8) (rotate anti-clockwise first) to navigate through the directory list, press MP3 enter button (2) to select the desired directory. The display will show "\". To select the tracks under the selected directory, by rotate volume knob (8) (rotate anti-clockwise first) then press MP3 enter button (2) to confirm when desired track is found.

### 4. NAVIGATING THROUGH DIRECTORY BY USING PREVIOUS/NEXT FOLDER (M5/M6) BUTTONS

Press next folder (M6) or previous folder (M5) buttons to skip in the current directory. On a multi-level directories CD, the movement will take place at the current level until last folder is reached. At this point press previous folder (5) again, it will move to the next level or directory.

### ID3 INFORMATION DISPLAY

Press display button (18) repeatedly to display ID3 TAG information. If the MP3 file is available with ID3 TAG, pressing the display button (18) repeatedly will show information in the following sequence:

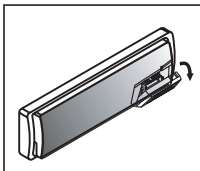
Song title -> Artist -> Album title -> Year -> Comments

If any of the ID3 TAG information is not available, pressing the display button repeatedly will show information in the following sequence:

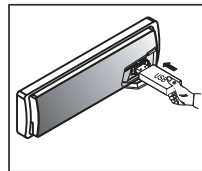
Unknown Song title -> Unknown Artist -> No Album title -> Unknown Year -> No Comments

If the MP3 file is without ID3 TAG, pressing the display button (18), and "NO ID3 TAG" will be displayed on the display. The file name and track number of the MP3 file will scroll repeatedly through the display during the playing of the MP3 file.

### USB DRIVE OPERATIONS



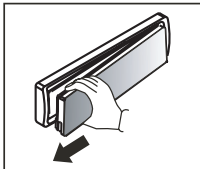
Flip open the USB cover.



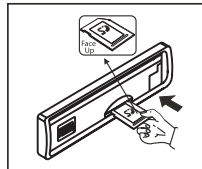
Plug in the USB drive. The unit automatically starts playing.

**Note:** To stop USB playback, unplug the USB drive and the unit will automatically switch to radio mode. If you want to select another source you can use button (9) "mode" to select the desired source. You can leave the card in the unit.

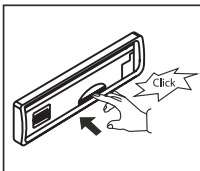
### SD/MMC OPERATIONS



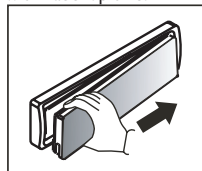
Detach the control panel.



Insert the SD/MMC Card with Label up side.



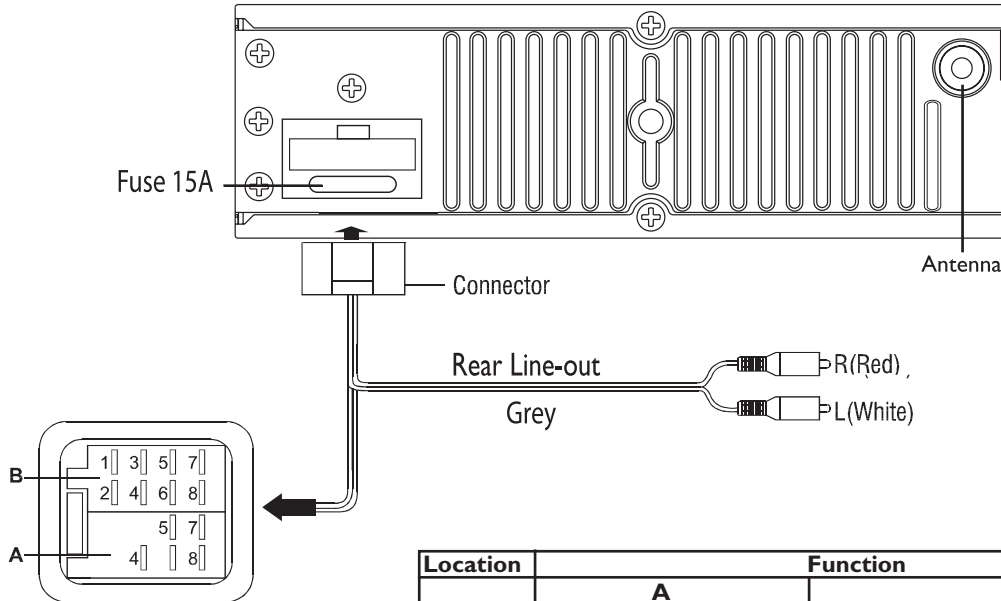
Push in until a "click" sound is heard.



Close the control panel.

**Note:** If you want to select another source you can use button (9) "mode" to select the desired source. You can leave the card in the unit.

Press button (20) "up/down" to go through the tracklist.

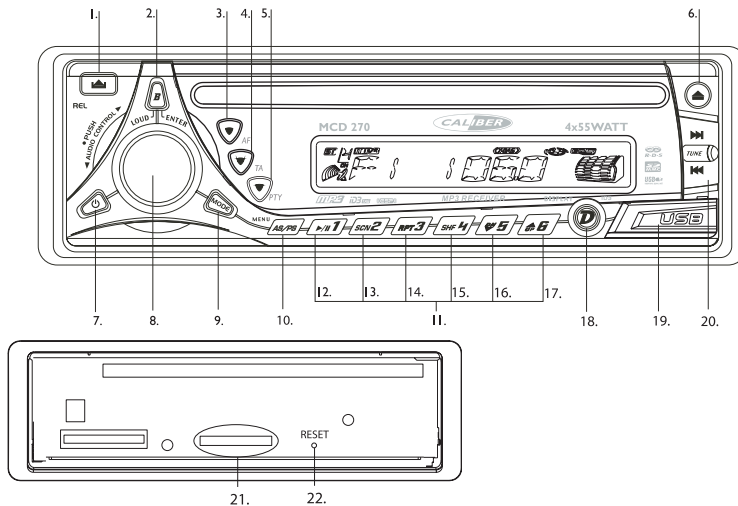


Location	Function	
	A	B
1		Rear right (+) - Purple
2		Rear right (-) - Purple / Black stripe
3		Front right (+) - Gray
4	Accu 12V(+)	Front right (-) - Gray / Black stripe
5	Auto Antenna	Front Left (+) - White
6		Front Left (-) - White / Black stripe
7	ACC+	Rear left (+) - Green
8	Ground	Rear Left (-) - Green / Black Stripe

## TROUBLESHOOTING

Before going through the check list, check wiring connection. If any of the problems persist after check list has been made, consult your nearest service dealer.

Problem	Cause	Solution
No power	The car ignition switch is not on	If the power supply is properly connected to the car accessory terminal, switch the ignition key to "ACC"
	The fuse is blown	Replace the fuse
Disc cannot be loaded or ejected	Presence of disc inside the player	Remove the disc in the player, then insert a new one
	Inserting the disc in reverse direction	Insert the compact disc with the label facing upward
	The disc is extremely dirty or defective	Clean the disc or try to play a new one
	Temperature inside the car is too high	Cool off or until the ambient temperature returns to normal
	Condensation	Leave the player off for an hour, then try again
No sound	Volume is in minimum	Adjust volume to a desired level
	Wiring is not properly connected	Check wiring connection
Sound skips	The installation angle is more than 30 degrees	Adjust the installation angle less than 30 degrees
	The disc is extremely dirty or defective	Clean the compact disc, then try to play a new one
The operation keys do not work	The built-in microcomputer is not operating properly due to noise	Front panel is not properly fixed into its place Press the RESET button.
The radio does not work	The antenna cable is not connected	Insert the antenna cable firmly
	The signals are too weak	Select a station manually
Error 1	Mechanism error	Press the reset button to correct the problem. If the error code does not disappear, consult your nearest service dealer.
Error 2	Servo Focus error	Press the reset button to correct the problem. If the error code does not disappear, consult your nearest service dealer.



1. TOUCHE DEBLOCAGE PANNEAU
2. TOUCHE GAMME (BAND/LOUD)
3. TOUCHE AUDIOFREQUENCE (AF)
4. TOUCHETA
5. TOUCHE PTY
6. DISC EJECT
7. TOUCHE ALIMENTATION (POWER)
8. BOUTON DE REGLAGE DE VOLUME  
TOUCHE DE SELECTION AUDDIO/ TOUCHE ENTREE MP3
9. TOUCHE MODE
10. TOUCHE MEMORISATION AUTOMATIQUE / BALAYAGE STATIONS  
PREREGLEES (AS/PS) TOUCHE BALISES MP3-ID3
11. TOUCHES STATIONS PREREGLEES (1-6)
12. BOTÓN PAUSE
13. TOUCHE SCAN
14. TOUCHE RPT
15. BOTÓN SHUFFLE (RANDOM)
16. BOUTON DOSSIER PRÉCÉDENT
17. BOUTON DOSSIER SUIVANT
18. TOUCHE ECRAN D'AFFICHAGE/TOUCHE MP3 ID3
19. ENTRÉE USB
20. TOUCHES ACCORD HAUT/BAS, PLAGES SUIVANTE/PRECEDENTE
21. LECTEUR DE CARTE SD/MMC
22. TOUCHE DE RÉINITIALISATION



## CARACTÉRISTIQUES

### GENERALITES

Alimentation électrique	DC 11 -14V
Polarité	Mise à la terre négative
Impédance haut-parleur	4 ohms
Puissance sortie	4 x 55W

### LECTEUR CD

Système	Système audio compact disc
Disque utilisable	Compact disc
Taux d'échantillonnage	44,1KHz
Nbre de bits de quantification	1 bit
Fréquence	5-20,000Hz
Nombre de canaux	2 stéréo
Rapport Signal sur Bruit	70 dB

### SECTION RADIO

#### FM

Gamme de fréquences	87,5-108 Mhz
Sensibilité utilisable	Supérieure à 15dB à S/B 30 dB
Séparation stéréo	25 dB à 1KHz
Rapport Signal / Bruit	50 dB

#### MW

Gamme de fréquences	522-1620 KHz
Fréquence intermédiaire	450KHz
Sensibilité utilisable	Supérieure à 45dB
Rapport Signal sur Bruit	40 dB

### REMARQUE :

Caractéristiques sous réserve de modifications sans préavis

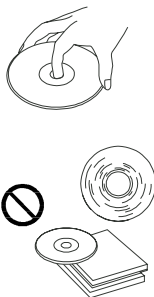


**DISC PLAY****PRÉCAUTIONS**

- N'utilisez que dans un système électrique 12 volts CD de polarité négative.
- Déconnectez la borne négative de la batterie du véhicule lors du montage et de la connexion de l'unité.
- Lors du remplacement du fusible, veillez à un fusible avec un ampérage identique. Utiliser un fusible avec un ampérage supérieur peut causer de graves dommages à l'unité.
- N'essayez PAS de démonter l'unité. Les rayons laser du capteur optique sont dangereux pour les yeux.
- Vérifiez que les broches ou autres objets ne pénètrent pas dans l'unité ; ils peuvent entraîner des dysfonctionnements, ou créer des risques pour la sécurité tels que des chocs électriques ou une exposition au rayon laser.
- Si vous avez parké la voiture pendant un long moment par temps froid ou chaud, attendez que la température dans la voiture redevienne normale avant de mettre l'unité en marche.
- Maintenez le volume à un niveau qui vous permet d'entendre les bruits d'avertissement extérieurs (klaxons, sirènes, etc.).

**Remarques relatives aux CD**

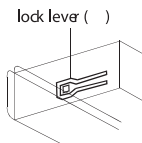
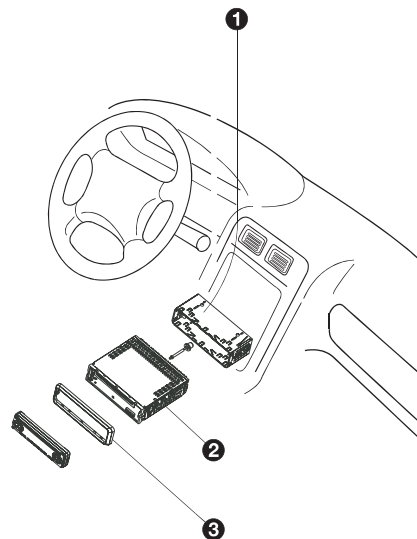
- La lecture de CD poussiéreux ou défectueux peut entraîner des pertes sonores.
- Tenez les CD comme illustré.
- NE touchez PAS la face du CD sans étiquette.
- Ne posez aucun sceau, aucune étiquette ni aucune feuille de protection de données d'un côté ou l'autre du disque.
- N'exposez PAS un CD à la lumière directe du soleil ou à une chaleur excessive.
- Essuyez un CD sale du centre vers l'extérieur à l'aide d'un chiffon nettoyant. N'utilisez jamais de solvants tels que de la benzine ou de l'alcool.
- Ce lecteur ne peut jouer de CD 3 pouces ( 8 cm ).
- N'insérez JAMAIS un CD 3 pouces contenu dans l'adaptateur ou un CD de forme irrégulière. L'unité pourrait ne pas pouvoir le rejeter; ce qui entraînerait un dysfonctionnement.

**Avant la mise en marche**

- N'augmentez PAS trop le niveau sonore, car cela vous empêcherait d'entendre les sons extérieurs, rendant la conduite dangereuse.
- Arrêtez la voiture avant d'effectuer toute opération compliquée.

**ATTENTION**

N'ouvrez PAS les caches et n'effectuez aucune réparation vous-même. Consultez le distributeur ou un technicien expérimenté si vous avez besoin d'aide.



1. Insérez le manchon de montage dans le tableau de bord et pliez les pattes de montage vers l'extérieur avec un tournevis. Vérifiez que le levier de verrouillage ( ) est dans l'alignement du manchon de montage. (Qu'il ne ressort pas vers l'extérieur)
2. Fixez l'arrière de l'unité. Après avoir installé le boulon de fixation et la prise d'alimentation, fixez l'arrière de l'unité à la voiture par le tampon en caoutchouc.
3. Installez la plaque de garniture.

Ce lecteur est équipé d'un panneau détachable motorisé coulissant. Le panneau peut être détaché et emmené avec vous, ce qui vous aidera à décourager les voleurs.

**Retrait du panneau**

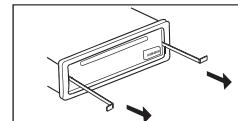
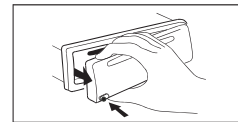
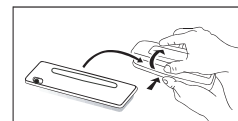
1. Appuyez sur le bouton PWR pendant plus de 2 secondes pour mettre l'unité hors tension.
2. Déboîtez un peu la partie gauche du panneau, ensuite déboîtez le panneau à partir de la droite.
3. Appuyez doucement sur le bouton du boîtier du panneau et ouvrez l'étui. Placez le panneau dans le boîtier et emmenez-le avec vous lorsque vous quittez la voiture.

**Installation du panneau**

1. Insérez le panneau dans l'ouverture de l'unité.
2. Poussez sur le panneau avant jusqu'à ce qu'il se mette en place.

**Retrait du lecteur**

1. Enlevez le panneau et la plaque de garniture.
2. Insérez les deux T-Keys dans les trous à l'avant de l'appareil jusqu'à ce qu'ils s'emboîtent.
3. Sortez l'unité.



**OPÉRATIONS DE BASE****ON/OFF**

Pour allumer l'appareil, pressez le bouton POWER (7) ou un autre bouton de la radio (sauf le bouton EJECT) quand le système est en marche.  
Pressez le bouton POWER (7) pour éteindre l'appareil.

**DÉTACHEMENT DU CACHE DE PROTECTION**

Pressez le bouton REL (1) pour enlever le cache de protection.

**AJUSTEMENT DU SON**

Pressez le bouton du volume (8) pour entrer les paramètres du son. Le réglage du son propose des ajustements dans l'ordre suivant : Volume, Bass, Aigus, Balance, Fader et retour au Volume. Pressez le bouton (2) "BAND/LOUDNESS" plus de 3 secondes puis l'intensité sera activée ou désactivée.

**SOURCE**

Pressez le bouton (9) "MODE" pour choisir la fonction CD, USB, SD/MMC ou radio.

**BEEPS 2ND, BEEP ALL, BEEP OFF**

Pressez le bouton du volume (8) plus de 3 secondes. Maintenant pressez le bouton du volume jusqu'à ce que l'indication "BEEP" s'affiche sur l'écran.

Vous pouvez tourner le bouton du volume pour sélectionner les options suivantes:

Le bip BEEP 2ND est activé seulement quand la seconde fonction du bouton de fonction double est sélectionnée (appui long).

Le bip BEEP ALL est activé lorsque n'importe quel bouton est pressé.

Le bip BEEP OFF désactive l'option bip.

**PARAMÈTRES DE LA RADIO****SÉLECTION DE LA BANDE**

En mode tuner, pressez le bouton (2) légèrement pour sélectionner la bande désirée. La bande de réception affiche le choix suivant: FM1, FM2, FM3 et MW.

**SÉLECTION DE LA STATION**

Pressez ou relevez le bouton (20) légèrement pour activer la fonction recherche.

Pressez 2 secondes jusqu'à ce que l'indication "MANUAL" apparaisse sur l'écran. Le mode tuning manuel est alors sélectionné.

Si les boutons ne sont pas touchés pendant plus de 3 secondes, la fonction revient automatiquement sur "AUTO SEEK".

**MÉMORISATION AUTOMATIQUE AS**

Mémorisation automatique

Pressez le bouton (10) "AS/PS" plus de 3 secondes pour activer la fonction AS. La radio cherche les 6 stations de radio les plus fortes et les enregistre dans le programme actuel de sélection de bande.

**NOTE:** Toutes les stations enregistrées précédemment dans la mémoire sont remplacées par les nouvelles stations de radio sélectionnées.

**LE PROGRAMME SCAN PS**

Pressez le bouton (10) "AS/PS" moins de 3 secondes. L'appareil se mettra en pause pour 10 secondes à chaque station programmée. Pressez le bouton (10) "AS/PS" une nouvelle fois pour arrêter la recherche lorsque la station désirée est trouvée.

**MÉMORISATION DES STATIONS ET RAPPEL**

Pressez n'importe quel bouton du programme (de 12 à 17) pour rappeler une station mémorisée. Pressez un bouton programme 2 secondes, et la station précédente est alors remplacée par la fréquence actuelle.

**LES OPÉRATIONS RDS (SYSTÈME DE DONNÉES RADIO)**

Les données RDS sont les données PI, PS, TP, PTY, TA et AF.

PI: Code d'identification de programme

Code pour identifier les programmes

PS: Programme de service de noms

Données expressées sur les stations d'émission

Par caractère alphabétique

TP: Identification du programme du trafic routier

Identification des données pour les stations d'émission du trafic routier

TA: Identification de l'annonce du trafic routier

Identification des données indiquant si les informations concernant le trafic ont été transmises ou non

AF: Fréquences alternatives

Liste des fréquences des stations d'émission diffusant les mêmes programmes

**METTRE EN MODE AF**

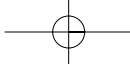
Pressez le bouton (3) AF moins de 3 secondes pour activer ou désactiver le mode AF. Dès que le mode AF est activé, le symbole "AF" apparaît sur l'écran. Le tuner retourne aux fréquences alternatives dès que le signal de réception devient mauvais.

L'indication "ALARM" s'affiche lorsque une information importante est diffusée. Lorsque le contrôle du volume est réglé sur le minimum, le réglage du son se fait automatiquement grâce aux paramètres programmés.

**UTILISER LA FONCTION PTY POUR SÉLECTIONNER UN PROGRAMME**

La fonction PTY vous permet de chercher des stations avec des types de programmes particuliers. Pour sélectionner un type de programme, pressez le bouton (5) PTY moins de trois secondes. L'écran affiche: "pop music" ou "news". Maintenant vous pouvez sélectionner le type de musique ou de speech que vous souhaitez en utilisant les boutons du programme de 1 à 6 pour faire une sélection, comme décrit dans le tableau ci-dessous:

Numéro programmé	Groupe de musique	Groupe de paroles
1	POP M, ROCK M	ACTUALITES, AFFAIRES, INFOS
2	VARIETES, MUSIQUE LEGERE	SPORT, EDUCATION, THEATRE
3	JAZZ, COUNTRY	METEO, FINANCES, ENFANTS
4	CLASSIQUE	CULTURE, SCIENCE, DIVERS
5	NATIONAL, NOSTALGIE	SOCIAL, RELIGION, DEBATS TELEPHONIQUES
6	FOLK	VOYAGES, LOISIRS, DOCUMENTAIRES



Lorsque le mode PTY est activé, la sélection se fait en pressant le bouton comme décrit dans la partie note. Lorsque le mode PTY est sélectionné, la radio commence à chercher les informations PTY correspondantes. Si aucune information PTY correspondante n'est trouvée, la réception radio normale reprend. Après, l'indication "NON PTY" est affichée à l'écran pendant 5 secondes.

#### ECOUTER L'ANNONCE DU TRAFIC ROUTIER

L'annonce du trafic routier peut être interrompue par la lecture d'un CD ou l'écoute de la radio. Pressez légèrement le bouton (4) "TA" pour activer ou désactiver le mode TA. Lorsque le mode TA est activé, vous entendez l'annonce du trafic routier. Pendant l'annonce du trafic routier, vous pouvez l'interrompre par un court appui sur le bouton TA (4). Sans désactiver le mode TA. De cette façon, le réglage revient au mode d'opération précédent. Un appui long sur le bouton TA (4) vous permet d'activer ou désactiver le EONTA LOCAL/EONTA DX. EONTA LOCAL permet seulement la diffusion d'informations sur l'état du trafic routier à partir d'une radio forte. La sélection EONTA DX permet l'interruption de lecture d'un CD ou d'écoute de la radio pendant la réception d'informations.

#### POSITION DU RDS AVANCÉ

Pressez le bouton du volume (8) plus de trois secondes pour afficher le menu du programme avancé RDS.

#### A) TA SEEK OU TA ALARM

##### - Mode TA SEEK:

Lorsque l'information TP est perdue sur la station actuelle, re-régler en pressant RETUNE SHORT (30 secondes) ou RETUNE LONG (90 secondes), ainsi la radio commence à chercher la prochaine station identique PI.

##### - Mode TA ALARM:

Lorsque l'information TP est perdue sur la station en cours, vous entendrez des bips.

#### B) PI SOUND OU PI MUTE

- Dans certains pays, il peut y avoir 2 stations différentes avec la même fréquence mais des PI différents. Si le mode PI SOUND est sélectionné, la radio se met sur la nouvelle station PI pour quelques secondes avant de revenir sur la station PI en cours. Si le mode PI MUTE est sélectionné, la radio se mettra en mode silence lorsque un nouveau PI sera reçu.

#### C) RETUNE L OU RETUNE S

Lorsque l'information PI n'est pas saisie pour un réglage de l'heure, la radio commence à se régler sur la prochaine station identique PI.

Mode RETUN L: Le temps de réglage sélectionné est 90 secondes.

Mode RETUN S: Le temps de réglage sélectionné est 30 secondes.

#### D) MASK DPI OU MASK ALL

- Mode MASK DPI: Cache seulement le AF qui a un PI différent.

- Mode MASK ALL: Cache le AF qui a un différent PI et les autres stations non PI interférant qui ont une fréquence de transmission identique.

#### FONCTIONNEMENT DU LECTEUR CD

Le lecteur CD convient pour les disques de 12 cm. Ne pas utiliser de disques non conformes.

#### SÉLECTION DES PLAGES

Pendant la lecture du CD, pressez le bouton (20) "▶▶" pour aller à la chanson suivante. Pressez le bouton (20) "◀◀" pour sélectionner la chanson précédente. Le numéro de la chanson s'affiche sur l'écran.

Pendant la lecture du CD, restez appuyé sur le bouton (20) "▶▶" pour une avance rapide. Restez appuyé sur "◀◀" pour un retour rapide. La lecture du CD commence à partir du moment où vous relâchez le bouton.

#### PAUSE

Pressez le bouton (12) "▶/||" pour interrompre momentanément la lecture du CD. Pressez le bouton une nouvelle fois pour relancer la lecture du CD.

#### RÉPÉTITION DE LA MÊME PLAGE

Pressez le bouton (14) "RPT" pour répéter continuellement la même chanson. Pressez le bouton une nouvelle fois pour arrêter la répétition.

#### LECTURE RAPIDE DES PISTES

Pressez le bouton (13) "SCN" pour jouer les premières secondes de chaque piste du CD en cours de lecture. Pressez une nouvelle fois pour arrêter la lecture des intros et écouter les chansons.

#### LECTURE AU HASARD

Pressez le bouton (15) "SHF" pour jouer toutes les pistes du CD dans le désordre. Pressez une nouvelle fois le bouton pour annuler la fonction.

#### EJECTER

Pressez le bouton (6) "▲" pour arrêter la lecture et éjecter le CD.

#### LECTURE D'UN CD TYPE CD-R/RW

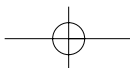
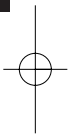
Selon le type de CD CD-R/RW, l'état de la surface du CD, ainsi que la codification peuvent empêcher certains CD type CD-R/RW de fonctionner normalement dans cet appareil.

#### FONCTION MP3

##### Comment sélectionner les fichiers MP3

##### I. CHERCHER LES PISTES

En utilisant le bouton du volume. Tourner le bouton du volume pour faire défiler les



pistes, et pressez le bouton (2) MP3 pour confirmer.

## 2. RECHERCHE PAR RÉPERTOIRE ET NOM DES PISTES

En utilisant le bouton du volume (8). Sous le mode de lecture MP3, pressez le bouton de menu MP3 (10) deux fois, l'écran affiche "CH". Tourner le bouton du volume (8) pour sélectionner les caractères. Dans ce mode de recherche, utiliser le bouton de sélection (8) comme un curseur. Pressez le bouton band/loud (2) utilisé comme un bouton de confirmation pour le MP3. L'appareil cherche des fichiers et répertoires qui ont les mêmes caractères rentrés par l'utilisateur. Ces fichiers et répertoires peuvent être visualisés par le bouton volume (8) (tourner dans le sens contraire des aiguilles d'une montre). Si le nom sélectionné est dans le répertoire, l'utilisateur peut aller dans le répertoire sélectionné en pressant le bouton de confirmation MP3 (2) et continuer sa recherche de répertoire ou de nom de fichier en utilisant le bouton volume (8) (tourner dans le sens contraire des aiguilles d'une montre). Le fichier sélectionné peut être écouté en pressant le bouton d'entrée MP3.

## 3. RECHERCHE À PARTIR DU RÉPERTOIRE

En utilisant le bouton volume (8). En mode MP3, pressez le bouton menu MP3 (10) trois fois, puis le premier nom de répertoire s'affiche. Tourner le bouton du volume (8) (dans le sens contraire des aiguilles d'une montre) pour naviguer à travers la liste de répertoire, pressez le bouton d'entrée MP3 (2) pour sélectionner le répertoire désiré. L'écran affiche "I". Pour choisir une piste dans le répertoire sélectionné, tournez le bouton du volume (8) (dans le sens contraire des aiguilles d'une montre), puis pressez le bouton d'entrée MP3 (2) pour confirmer une chanson.

## 4. NAVIGUER À TRAVERS LE RÉPERTOIRE EN UTILISANT LES BOUTONS FICHIERS PRÉCÉDENT/SUIVANT (M5/M6).

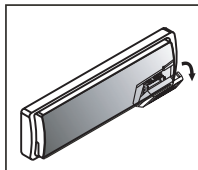
Pressez les boutons fichier suivant (M6) ou fichier précédent (M5) pour aller directement dans le répertoire en cours. Dans les répertoires à plusieurs sous parties, le mouvement se met en place au niveau actuel jusqu'à ce que le dernier fichier soit atteint. A ce point, pressez fichier précédent (5) une nouvelle fois pour aller au niveau ou répertoire précédent.

## ECRAN D'INFORMATION ID3

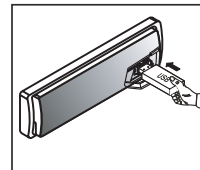
Pressez le bouton écran (18) pour afficher de façon répétitive les informations ID3 TAG. Si le fichier MP3 est disponible avec le ID3 TAG, presser le bouton écran (18) de façon répétitive affichera les informations dans l'ordre suivant:  
Titre de la chanson -> Artiste -> Titre de l'album -> Année -> Commentaires  
Si les informations ID3 TAG ne sont pas disponibles, en pressant le bouton écran (18) de façon répétitive, les informations s'afficheront dans l'ordre suivant:  
Titre de chanson inconnu -> Artiste inconnu -> Pas de titre d'album -> Année inconnue -> Pas de commentaires  
Si le fichier MP3 n'a pas d' ID3 TAG, en pressant le bouton écran (18), l'indication "NON ID3 TAG" s'affichera sur l'écran. Le nom du fichier et le numéro de la piste du fichier MP3 défileront de façon répétitive sur l'écran pendant la lecture du fichier MP3.



## COMMANDES D' OPERATIONS DE L' USB



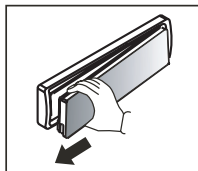
Ouvrez la couverture de l' USB.



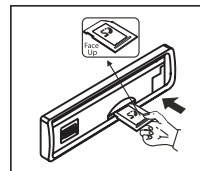
Branchez la commande de l' USB. L'unité commence automatiquement à jouer.

**Notez:** Pour arrêter le playback de l' USB, débranchez la commande de l' USB et l'unité commutera automatiquement au mode radio. Si vous voulez choisir une autre source vous pouvez utiliser le bouton (9) "mode" pour choisir la source désirée. Vous pouvez laisser la carte dans l'unité.

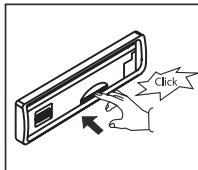
## OPERATIONS SD/MMC



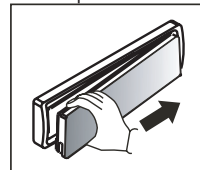
Détachez le panneau de commande.



Insérez la carte de SD/MMC avec l'étiquette en haut.



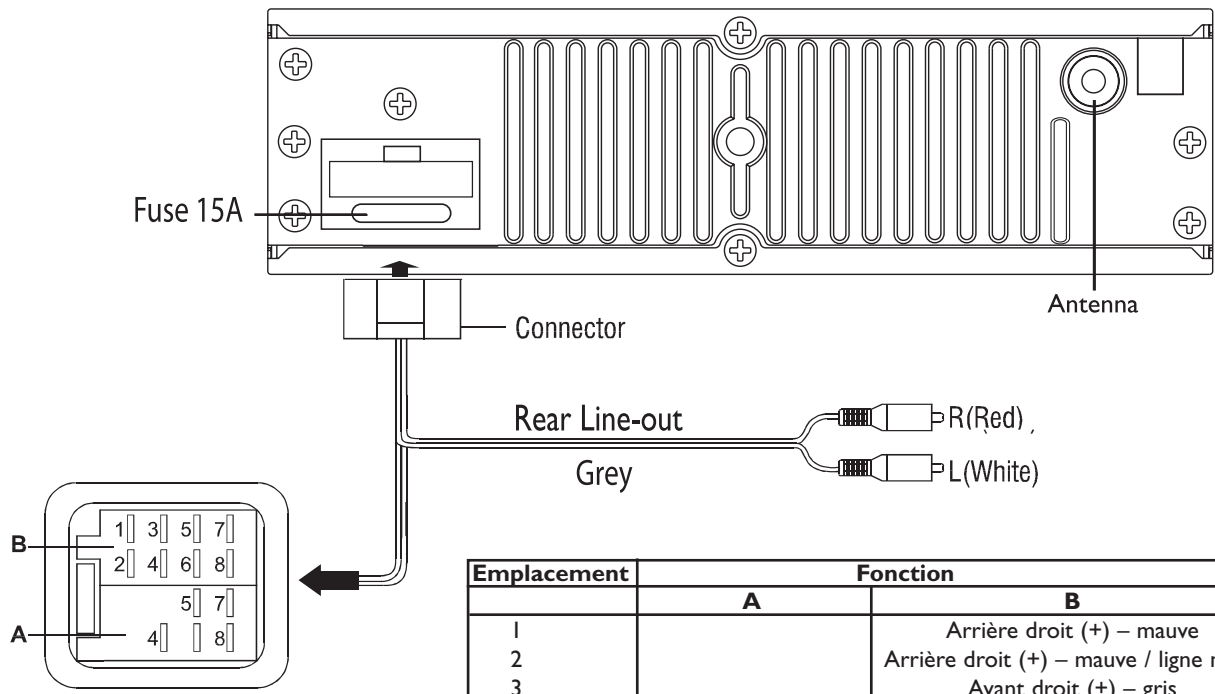
Enfoncez jusqu'à ce qu'un bruit de "clac" soit entendu.



Fermez le panneau de commande.

**Notez:** Si vous voulez choisir une autre source vous pouvez utiliser le bouton (9) "mode" pour choisir la source désirée. Vous pouvez laisser la carte dans l'unité.

Appuyez sur le bouton (20) "haut/bas" pour voir la liste de chansons.



Emplacement	Fonction	
	A	B
1		Arrière droit (+) – mauve
2		Arrière droit (+) – mauve / ligne noire
3		Avant droit (+) – gris
4	Batterie 12V(+)	Avant droit (+) – gris / ligne noire
5	Antenne automatique	Avant gauche (+) – blanc
6		Avant gauche (+) – blanc / ligne noire
7	ACC+	Arrière gauche (+) – vert
8	Ground	Arrière gauche (+) – vert / ligne noire

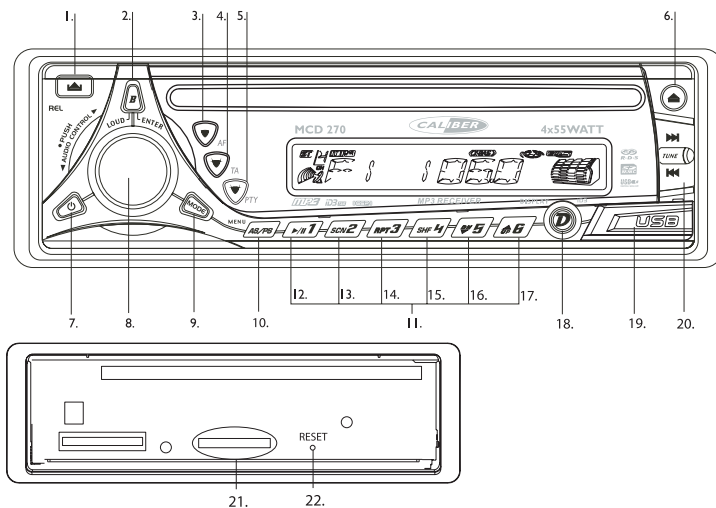


## RÉSOLUTION DES PROBLÈMES

Avant de consulter la liste suivante, vérifiez le câblage et les connexions.

Si le problème rencontré persiste après avoir contrôlé tous les éléments de la liste, adressez-vous au service après-vente d'un revendeur près de chez vous.

Symptôme	Cause	Solution
L'appareil ne s'allume pas.	Le contact du véhicule n'est pas mis.	Si l'alimentation est raccordée correctement aux circuits auxiliaires du véhicule, mettez la clé de contact en position « ACC »
	Le fusible a sauté.	Remplacez le fusible.
Il n'est pas possible de charger de disque ou le disque ne peut être éjecté.	Un disque se trouve déjà dans le lecteur.	Retirez le disque du lecteur, puis introduisez-en un nouveau.
	Le disque est introduit incorrectement.	Introduisez le disque l'étiquette imprimée vers le haut.
	Le disque est très sale ou il est défectueux.	Nettoyez le disque ou essayez un autre.
	La température du véhicule est trop élevée.	Mettez la climatisation en route ou attendez que la température ambiante redescende.
	Condensation	Laissez le lecteur éteint pendant une heure, puis réessayez.
Il n'y a pas de son.	Le volume est au minimum.	Réglez le volume au niveau approprié.
	Les câbles ne sont pas raccordés correctement.	Vérifiez le câblage.
Le son saute.	L'angle d'installation est supérieur à 30 degrés.	Montez l'appareil selon un angle de moins de 30 degrés.
	Le disque est très sale ou il est défectueux.	Nettoyez le disque, puis essayez un nouveau.
Les touches et les boutons ne fonctionnent pas.	Le microprocesseur intégré ne fonctionne pas correctement, probablement en raison de parasites.	Appuyez sur le bouton RESET. Le panneau avant n'est pas fixé correctement.
La radio ne fonctionne pas.	Le câble de l'antenne n'est pas raccordé.	Enfoncez fermement le câble de l'antenne.
	Les signaux sont trop faibles.	Sélectionnez une station manuellement.
Error 1	Erreur Mechanism (mécanisme)	Appuyez sur la touche de réinitialisation RESET pour résoudre le problème. Si le code d'erreur ne disparaît pas, contactez votre revendeur le plus proche.
Error 2	Défaut Servo Focus	Appuyez sur la touche de réinitialisation RESET pour résoudre le problème. Si le code d'erreur ne disparaît pas, contactez votre revendeur le plus proche.



1. BEDIENTEIL-ENTRIEGELTASTE
2. WELLENBEREICHSTASTE
3. AF-TASTE
4. TA-TASTE
5. PTY-TASTE
6. DISC-AUSWURF
7. STROM-AN/AUS-TASTE
8. LAUTSTÄRKEKNOPF  
AUDIO-AUSWAHLTASTE/ MP3-ENTER-TASTE
9. MODUSTASTE
10. AUTOMATISCHE SPEICHERUNG / EINSTELLUNGSSCAN (AS/PS) MENU TASTE
11. SENDERVOREINSTELLUNGSTASTEN (1~6)
12. TASTE PAUSE
13. SCAN-TASTE
14. RPT-TASTE
15. TASTE SHUFFLE (RANDOM)
16. VORIGER ORDNER TASTE
17. NÄCHSTER ORDNER TASTE
18. DISPLAY-TASTE/MP3 ID3-TASTE
19. USB-ABDECKUNG
20. ABSTIMMUNG OBEN/UNTEN, TITEL NÄCHSTER/VORIGER TASTEN
21. SD/MMC-KARTENSTECKPLATZ
22. RÜCKSTELLUNGSTASTE

## SPEZIFIKATIONEN

### ALLGEMEINES

Stromversorgung	DC 11-14V
Polung	Negativ Erde
Lautsprecher-Impedanz	4 Ohm
Ausgangsleistung	4 x 55 W

### CD-DECK

System	CD-Digitalaudiosystem
Verwendbare CDs:	CD
Abtastfrequenz	44,1 kHz
Anzahl Quantisierungsbits	1 bit
Frequenzgang	5 Hz bis 20 kHz
Kanalzahl	2, Stereo
Rauschabstand	70dB

### RADIO-TEIL

#### FM

Frequenzbereich	87,5 bis 108 MHz
Nutzbare Empfindlichkeit	Besser als 15dB bei Rauschabstand 30dB
Stereotrennung	25dB bei 1 kHz
Rauschabstand	50dB

#### AM/MW

Frequenzbereich	522-1620 KHz
Zwischenfrequenz	450 kHz
Nutzbare Empfindlichkeit	Besser als 45dB
Rauschabstand	40dB

### BEMERKUNG:

Änderungen der Spezifikationen ohne vorherige Benachrichtigung möglich.

## DISC PLAY

### VORSICHTSMASSNAHMEN

- Ausschließlich mit 12-Volt-Gleichstrom und negativer Masseverbindung verwenden.
- Demontieren Sie vor Arbeiten am Fahrzeug die positive Klemme der Fahrzeugbatterie.
- Achten Sie beim Auswechseln der Sicherung darauf, dass die neue Sicherung über die gleiche Stromleistung verfügt, die Verwendung einer Sicherung mit einer höheren Stromleistung kann zu schwerwiegenden Schäden am Gerät führen.
- Versuchen Sie UNTER KEINEN UMFÄHNEN das Gerät zu öffnen. Die Laserstrahlen des optischen Tonabnehmers können zu schwerwiegenden Augenschäden führen.
- Stellen Sie sicher, dass keine Stifte oder andere Gegenstände ins Innere des Gerätes gelangen. Sie können zu Fehlfunktionen oder Sicherheitsrisiken, wie Stromschläge oder der Bloßstellung der Laserstrahlen führen.
- Wenn das Fahrzeug längere Zeit bei heißem oder kaltem Wetter im Freien abgestellt war, sollte mit dem Betrieb des Gerätes zugewartet werden, bis die Temperatur sich im inneren des Fahrzeuges normalisiert hat.
- Die Lautstärke muss auf einen Pegel beschränkt werden, dass Warngeräusche von außen (Polizei, Sanität usw.) noch hörbar sind.

### CD-Hinweise

- Die Wiedergabe defekter oder staubiger CDs kann zu Tonaussetzer führen.
- Die CDs wie abgebildet halten.
- Die unetikettierte Seite nicht mit blossen Händen berühren.
- Befestigen Sie KEINE Aufkleber, Etiketten oder Datenschutzfolien auf der Disc.
- Setzen Sie die CD NICHT der direkten Sonneneinstrahlung oder übermäßiger Hitze aus.
- Reiben Sie eine verschmutzte CD von der Mitte nach außen mit einem Reinigungstuch ab. Verwenden Sie niemals Lösungsmittel, wie Benzin oder Alkohol.
- Mit diesem Gerät können keine 8-cm-CD's abgespielt werden.
- Legen Sie NIEMALS eine 8-cm-CD mit Adapter oder eine verformte CD ein. Es ist möglich, dass sich diese CD's im Gerät verklemmen, nicht mehr ausgeworfen werden können und das Gerät beschädigen.

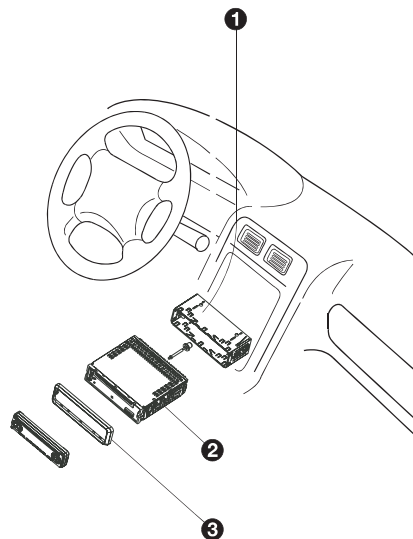


### Vor dem Betrieb

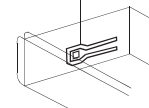
- Den Lautstärkepegel NICHT zu hoch einstellen, Geräusche von aussen, (Polizei Sanität ect.) müssen auf jeden Fall noch hörbar sein
- Bedienungen am Gerät die vom Verkehr ablenken, dürfen nur bei stehendem Fahrzeug ausgeführt werden.

### VORSICHT

Abdeckungen NICHT öffnen. Eingriffe oder Reparaturen dürfen nur von ausgebildeten techniker ausgeführt werden. Wenden Sie sich daher bei einem Schadenfall an einen autorisierten Händler oder eine Servicestelle. Unbefugtes öffnen hat den Verlust der Garantieleistung zur Folge



lock lever ( )



1. Die Montageeinfassung in das Armaturenbrett einführen und die Montageklammern mit einem Schraubenzieher spreizen. Sicherstellen, dass der Sperrhebel mit der Montageeinfassung bündig ist. (nicht nach außen herausragt)
2. Den hinteren Teil des Gerätes sichern. Nach der Befestigung der Befestigungsschraube und des Stromanschlusses, befestigen Sie den hinteren Teil des Gerätes mit dem Gummipolster an der Karosserie.
3. Die Zierleiste anbringen.

Dieses Gerät ist mit einer motorisierten, abnehmbaren Frontblende zum Herunterschoben ausgestattet. Um Diebstähle zu vermeiden kann die Frontblende abgenommen und mitgenommen werden.

### Frontblende entfernen

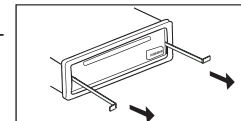
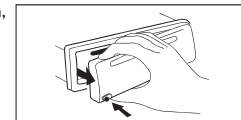
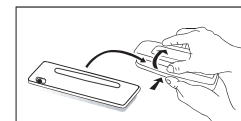
1. Die PWR-Taste zum Ausschalten des Gerätes länger als 2 Sekunden eingedrückt halten.
2. Den linken Teil der Frontblende ein wenig herausziehen, dann die Frontblende von rechts herausziehen.
3. Sanft auf die Blendenetui-Taste drücken, um den Deckel zu öffnen. Die Frontblende in das Etui legen und beim verlassen des Fahrzeuges mitnehmen.

### Anbringen der Frontblende

1. Die Frontblende im Geräteschlitz anbringen.
2. Die Frontblende eindrücken bis sie in die Halterung einrastet.

### Das Gerät entfernen

1. Die Frontblende und die Zierleiste entfernen.
2. Die beiden T-Schlüssel in die Öffnung auf der Vorderseite des Satzes einführen bis sie festsitzen.
3. Das Gerät herausziehen.





**GRUNDLEGENDE BEDIENUNG****EIN/AUS**

Schalten Sie das Gerät durch Drücken die Taste POWER (7) oder, wenn die Anlage bereits eingeschaltet ist, durch Drücken einer anderen Taste (außer EJECT) am Radio ein. Drücken Sie die Taste POWER (7), um das Gerät auszuschalten.

**OBERSCHALE ABNEHMEN**

Drücken Sie die Taste REL (1), um die Oberschale zu entfernen.

**KLANGEINSTELLUNGEN**

Drücken Sie den Lautstärkenregler (8), um in die Klangkonfiguration zu gelangen. Die Klangkonfiguration wird sich in folgender Reihenfolge verändern: Lautstärke, Bass, Höhe, Balance, Überblendung und zurück zur normalen Lautstärke. Drücken Sie länger als 3 Sekunden die Taste "BAND/LOUDNESS" (2) und die Lautstärke wird aktiviert oder deaktiviert.

**QUELLE**

Drücken Sie die Taste "MODE" (9), um auf CD, USB, SD/MMC oder Radio zu schalten.

**ZWEIFACHER PIEPTON, PERMANENTER PIEPTON, PIEPTON AUS**

Drücken Sie den Regler "VOLUME" (8) länger als 3 Sekunden. Drücken Sie jetzt den Lautstärkenregler, bis Sie "BEEP" auf der Anzeige sehen. Sie können den Lautstärkereger drehen, um folgende Optionen auszuwählen: BEEP 2ND Piept nur, wenn die Sekunden- oder Dualfunktion ausgewählt ist (langes Drücken). BEEP ALL Piept, wenn irgendeine Taste gedrückt wird. BEEP OFF Piept, um die Piepmöglichkeit auszuschalten

**RADIO****WAHL DES FREQUENZBEREICHES**

Im Empfangsmodus drücken Sie kurz die Taste (2), um den gewünschten Frequenzbereich auszuwählen. Der Bandbereichempfang wird sich in folgender Reihenfolge ändern: FM1, FM2, FM3 und MW

**SENDERWAHL**

Drücken Sie kurz die Taste aufwärts/abwärts (20), um die automatische Suchfunktion zu aktivieren. Drücken Sie für 2 Sekunden, bis "MANUAL" auf der Anzeige erscheint und der manuelle Abstimmungsmodus ist ausgewählt. Wenn die Tasten für länger als 3 Sekunden nicht berührt werden, geht es automatisch zurück zu "AUTO SEEK".

**AUTOMATISCHES SPEICHERN AS**

- Automatisches Speichern von Daten  
Drücken Sie die Funktionstaste "AS/PS" (10) länger als drei Sekunden, um AS zu aktivieren. Das Radio sucht nach den 6 stärksten Sendestationen und speichert sie in den aktuellen voreingestellten Bandbereich ein.

**ANMERKUNG:** Sender, die zuvor in dieser Datenbank gespeichert wurden, werden durch neue Sender ersetzt.

**VOEINGESTELLTE ABFRAGE PS**

Drücken Sie die Funktionstaste "AS/PS" (10) für weniger als drei Sekunden. Das Gerät wird bei jeder voreingestellten Sendestation zehn Sekunden pausieren. Drücken Sie die Taste "AS/PS" nochmals, wenn der gewünschte Sender erreicht ist, um die Abfrage zu stoppen.

**Sender speichern und abrufen**

Drücken Sie eine der Voreinstellungstasten (12 bis 17), um die eingespeicherten Sender wieder abzurufen. Drücken Sie eine Voreinstellungstaste für 2 Sekunden und der zuvor eingestellte Sender wird mit der aktuell eingestellten Frequenz überschrieben.

**RDS-BEDIENUNG**

Die RDS-Daten sind PI, PS, TP, PTY, TA und AF Daten.

PI: Programmidentifizierungscode  
Code zur Programmidentifizierung

PS: Programmnamenservice  
Gibt Daten zum Sendernamen wieder.

In alphabetischer Reihenfolge  
TP: Verkehrsprogrammidentifizierung  
Identifiziert die Senderdaten für den Verkehrsfunk.

TA: Verkehrsfunkidentifizierung  
Identifizierung von Daten, zeigt Verkehrsinfos an, die übermittelt werden oder nicht

AF: Alternative Frequenzen  
Frequenzliste von Sendern, die das gleiche Programm übertragen

**AF MODUS EINSTELLEN**

Drücken Sie die Taste AF (3) länger als drei Sekunden, um den Modus AF EIN oder AUS zu schalten. Wann immer AF eingeschaltet ist, wird das Symbol "AF" auf der Anzeige erscheinen. Der Empfänger wird zu alternativen Frequenzen wechseln, wenn das Empfangssignal schlechter wird. "ALARM" wird angezeigt, wenn ein Notruf empfangen wird. Währenddessen wird die Ausgabelautstärke automatisch auf eine voreingestellte Ausgabelautstärke angeglichen, wenn das Lautstärkeniveau auf Minimum gestellt ist.

**PTY ZUM PROGRAMM AUSWÄHLEN BENUTZEN**

Die Funktion PTY erlaubt es Ihnen, nach Sendern bestimmten Programmtyps zu suchen. Um Ihren Programmtypen zu bestimmen, drücken Sie die Taste PTY kürzer als drei Sekunden. Die Anzeige zeigt: "pop music" oder "news".

Jetzt können Sie einen Musik- oder Sprachtypen auswählen, indem Sie die Voreinstellungstasten 1 bis 6 für Ihre Auswahl aus der aufgeführten Tabelle drücken:

Nummer	Musikgruppe	Sprachgruppe
1	pop m, rock m	Nachrichten, Politik, info
2	easy m, light m	Sport, Erziehung, Schauspiel
3	classics, other m	Kultur, Wissenschaft, Verschiedenes
4	jazz, country	Vetter, Finanzen, Kinder
5	nation m, oldies	Sozial, Religion, Zuhöreranrufe
6	folk m	Reise, Freizeit, Dokumentation

Während die Einstellung PTY ausgewählt ist, kann die Auswahl durch Drücken der Voreinstellungstasten getroffen werden. Wenn PTY ausgewählt ist, beginnt das Radio nach entsprechenden PTY-Informationen zu suchen. Werden keine entsprechenden PTY-Informationen gefunden, wird der normale Radioempfang fortgesetzt. Danach wird 5 Sekunden lang "NON PTY" in der Anzeige eingeblendet.

#### VERKEHRSFUNK ANHÖREN

Verkehrsfunk kann die Wiedergabe von CDs oder Radioubertragungen unterbrechen. Drücken Sie kurz die Taste "TA" (4), um den TA-Modus ein- oder auszuschalten. Wenn der Modus TA eingeschaltet ist, werden Sie während der Übertragung den Verkehrsfunk hören. Die Verkehrsfunkinformationen können Sie durch kurzes Drücken der Taste TA (4) beenden, ohne den TA-Modus auszuschalten. Dadurch wird das Gerät zum vorigen Betriebsmodus zurückkehren. Langes Drücken der Taste TA (4) erlaubt es Ihnen, zwischen AN/AUS des EONTA LOCAL/EONTA DX zu wählen.

EONTA LOCAL wird nur Verkehrsfunk von starken Sendestationen senden. EONTA DX wird es allen empfangenen Meldungen erlauben, die Wiedergabe von CDs oder Radioubertragungen zu unterbrechen.

#### FORTGESCHRITTENE RDS-EINSTELLUNGEN

Drücken Sie den Lautstärkeregler (8) für länger als drei Sekunden, um in das Menü Fortgeschrittene RDS-Einstellungen zu gelangen.

#### A) TA SEEK oder TA ALARM

##### - MODUS TA SEEK

Wenn die TP-Informationen des aktuellen Senders verschwinden, können durch die Einstellung RETUNE SHORT (30 Sekunden) oder RETUNE LONG (90 Sekunden) diese wie der abgestimmt werden. Das Radio beginnt dann, die nächste, ähnliche PI-Station einzustellen.

##### - MODUS TA ALARM

Wenn die TP-Information verloren geht, ist ein Piepen des aktuellen Senders zu hören.

#### B) PI SOUND oder PI MUTE

- In einigen Ländern ist es möglich, 2 verschiedene Sender mit der gleichen Frequenz, aber mit unterschiedlicher PI, zu empfangen. Wenn PI SOUND ausgewählt ist, wird das Radio für einige Sekunden auf den neuen PI-Sender umschalten, bevor es wieder zum aktuellen PI-Sender zurückkehrt. Wenn PI MUTE ausgewählt ist, wird das Radio stumm geschaltet, wenn ein neuer PI-Sender empfangen wird.

#### C) RETUNE L oder RETUNE S

Wenn die PI-Informationen zum Einstellen der Zeit nicht empfangen werden können, beginnt das Radio, den nächsten ähnlichen PI-Sender zu suchen.  
Modus RETUNE L: Die Neu-Einstellungszeit ist auf 90 Sekunden eingestellt.  
Modus RETUNE S: Die Neu-Einstellungszeit ist auf 30 Sekunden eingestellt.

#### D) MASK DPI oder MASK ALL

- Modus MASK DPI: Überdeckt nur die AF, die eine andere PI haben.  
- Modus MASK ALL: Überdeckt die AF, die eine andere PI haben und alle anderen Sender ohne PI-Informationen, die die gleiche Übertragungsfrequenz haben.



#### CD BEDIENUNG

Dieser CD-Player ist für 12 cm Discs geeignet. Verwenden Sie keine unregelmäßig geformten CDs.

#### TITEL AUSWÄHLEN

Drücken Sie während der laufenden CD-Wiedergabe die Taste "▶▶▶" (20) für den nächsten Titel. Drücken Sie die Taste "◀◀◀" (20) für den vorigen Titel. Die Titelnummer wird auf der Anzeige gezeigt.

Während der CD-Wiedergabe halten Sie die Taste "▶▶" (20) für schnelle Vorwärtssuche gedrückt. Halten Sie die Taste "◀◀" (20) für schnelle Rückwärtssuche gedrückt. Die CD wird an der Stelle starten, an der Sie die Taste loslassen.

#### PAUSE

Drücken Sie die Taste "▶/||" (12), um den CD-Player anzuhalten. Drücken Sie die Taste erneut, um die Wiedergabe fortzusetzen.

#### DEN GLEICHEN TITEL WIEDERHOLEN

Drücken Sie Taste "RPT" (14), um fortwährend den gleichen Titel zu wiederholen. Drücken Sie die Taste erneut, um die Wiederholung zu stoppen.

#### TITELABFRAGE

Drücken Sie Taste "SCN" (13), um einige Sekunden eines jeden Titels der momentan abgespielten CD anzuhören. Drücken Sie die Taste erneut, um das Anspielen zu stoppen und um den Titel anzuhören.

#### TITEL IN GEMISCHTER REIHENFOLGE ABSPIELEN

Drücken Sie die Taste "SHF" (15), um alle Titel in zufälliger Reihenfolge wiederzugeben. Drücken Sie die Taste erneut, um diese Funktion zu widerrufen.

#### AUSGABE DER CD

Drücken Sie die Taste "▲" (6), um die Wiedergabe zu stoppen und um die CD auszugeben.

#### EINE CD-R/RW ABSPIELEN

Abhängig von der Art der CD-R/RW CD, des Oberflächenzustands der CD und auch der Beschriftung der CD-R/RW CD kann es sein, dass sie in diesem Gerät nicht normal abgespielt werden kann.

#### MP3-FUNKTION

##### Wie Sie MP3-Dateien auswählen können

##### 1. TITEL SUCHEN

Mit dem Lautstärkeregler: Drehen Sie den Lautstärkeregler, um durch die Titelnummern zu rollen. Drücken Sie dann die Taste MP3 (2) um zu bestätigen.

##### 2. SUCHEN IM VERZEICHNIS UND MIT TITELNAMEN

Mit dem Lautstärkeregler (8). Im MP3-Modus drücken Sie die zweimal Menütaste MP3 (10); die Anzeige

zeigt <sup>146</sup>7. Drehen Sie den Lautstärkereger (8), um das Zeichen auszuwählen. In diesem Suchmodus können Sie die Taste (8) als bewegten Cursor verwenden. Bestätigen Sie die Eingabe durch Drücken der Taste band/loud (2). Das Gerät durchsucht Ordner und Dateien nach den Merkmalen, die der Benutzer eingegeben hat. Das Gerät zeigt die geordneten Dateien und Verzeichnisse, wenn Sie den Lautstärkereger (8) gegen den Uhrzeigersinn drehen. Wenn der gewählte Eintrag ein Verzeichnis ist, kann der Benutzer in das Verzeichnis wechseln, indem er die Taste MP3 (2) zur Bestätigung drückt. Der Benutzer kann die Suche nach Dateien oder Verzeichnissen fortsetzen, indem er den Lautstärkereger (8) gegen den Uhrzeigersinn dreht. Die ausgewählte Datei kann abgespielt werden, indem die Taste MP3-Eingabe gedrückt wird.

### 3. SUCHE IN VERZEICHNISSEN

Mit dem Lautstärkereger (8). Im Abspielmodus MP3 drücken Sie dreimal die Taste MP3-Menü (10), um das erste Verzeichnis anzuzeigen. Drehen Sie den Lautstärkereger (8) gegen den Uhrzeigersinn, um durch die Verzeichnisliste zu navigieren. Drücken Sie die Taste MP3-Eingabe (2), um den gewünschten Titel auszuwählen. Das Display zeigt "W". Um Titel im ausgewählten Verzeichnis anzuwählen, drehen Sie den Lautstärkereger gegen den Uhrzeigersinn. Drücken Sie dann die Taste MP3-Eingabe (2) zur Bestätigung, wenn Sie den gewünschten Titel gefunden haben.

### 4. NAVIGIEREN SIE MIT DEN TASTEN VORIGER/NÄCHSTER ORDNER (M5/M6) DURCH DIE VERZEICHNISSE.

Drücken Sie nächster Ordner (M6) oder vorigen Ordner (M5), um das aktuelle Verzeichnis zu überspringen. Auf einer CD mit vielen Verzeichnisebenen wird die Navigation auf einer Ebene bleiben, solange der unterste Ordner nicht erreicht ist. An dieser Position drücken Sie erneut vorigen Ordner (5). Gehen Sie dann zur nächsten Verzeichnisebene oder zum nächsten Verzeichnis.

### ID3-DISPLAYINFORMATION

Drücken Sie wiederholt die Taste Display (18), um die ID3 TAG-Informationen anzuzeigen. Wenn die MP3-Datei über einen ID3 TAG verfügt, drücken Sie wiederholt die Taste Display (18), um die ID3 TAG-Informationen anzuzeigen.

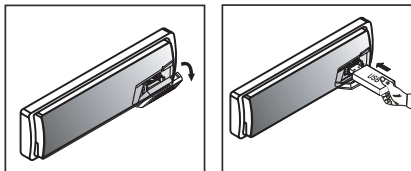
Titel -> Künstler -> Album Titel -> Jahr -> Kommentare

Falls Informationen des ID3 TAG fehlen sollten, drücken Sie wiederholt die Taste Display, um die Informationen in folgender Reihenfolge anzuzeigen:

Unbekannter Titel -> Unbekannter Künstler -> Kein Album -> Unbekanntes Jahr -> Keine Kommentare

Wenn die MP3-Datei über keinen ID3 TAG verfügt, drücken Sie die Taste Display und "NON ID3 TAG" wird angezeigt. Der Dateiname und die Titelnummer der MP3-Datei werden wiederholt auf dem Display angezeigt, solange die Datei abgespielt wird.

## BENUTZUNG DES USB-LAUFWERKS

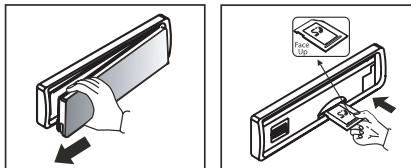


Öffnen Sie die Schutzkappe. Stecken Sie das USB Laufwerk ein.

Das Gerät beginnt die Wiedergabe automatisch.

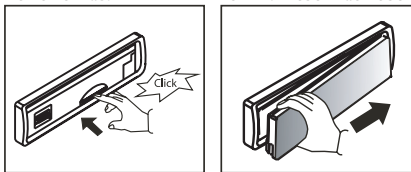
**Hinweis:** Um die USB-Wiedergabe anzuhalten, ziehen Sie das USB-Laufwerk heraus. Das Gerät schaltet automatisch in den Radiomodus. Wenn Sie eine andere Quelle auswählen möchten, wählen Sie diese mit der Taste (9) „mode“. Sie können die Karte im Gerät lassen.

## VERWENDEN VON SD/MMC



Nehmen Sie das Bedienfeld ab.

Stecken Sie eine SD/MMC-Karte mit dem Aufkleber nach oben ein.

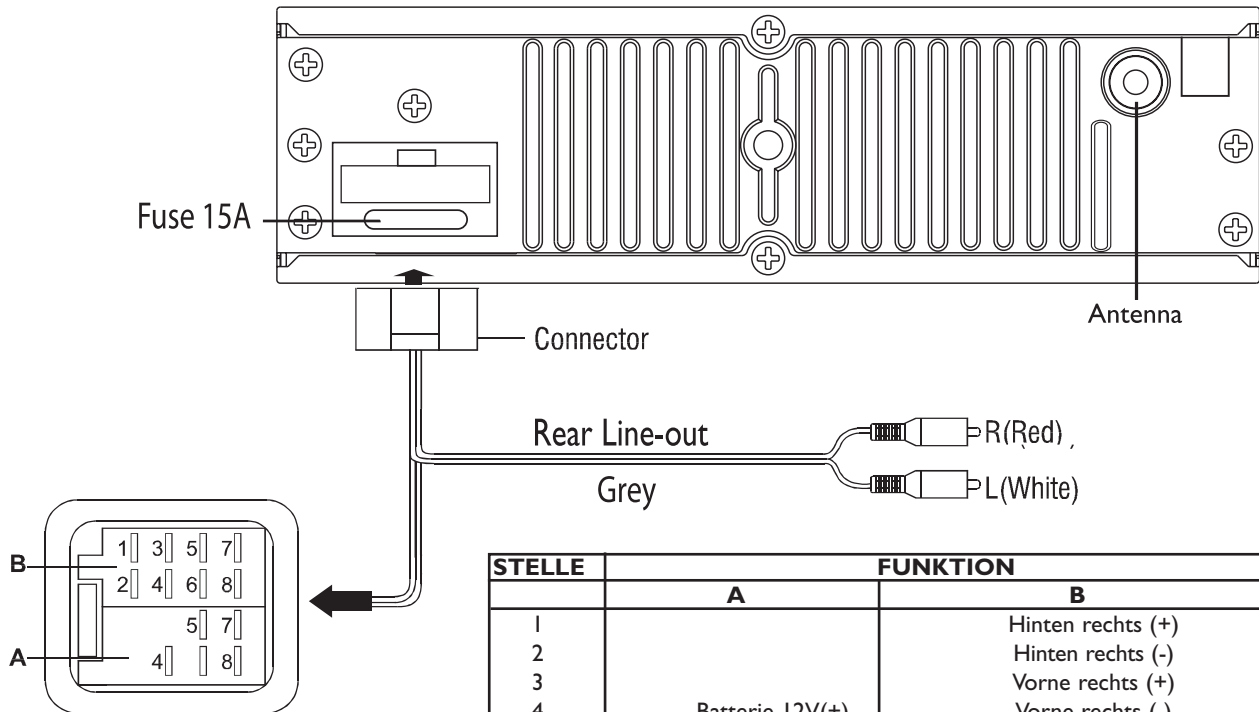


Drücken Sie, bis ein Klickgeräusch zu hören ist.

Schließen Sie das Bedienfeld wieder.

**Hinweis:** Wenn Sie eine andere Quelle auswählen möchten, wählen Sie diese mit der Taste (9) „mode“. Sie können die Karte im Gerät lassen.

Drücken Sie die Taste (20) „hoch/runter“ um durch die Titelliste zu navigieren.



STELLE	FUNKTION	
	A	B
1		Hinten rechts (+)
2		Hinten rechts (-)
3		Vorne rechts (+)
4	Batterie 12V(+)	Vorne rechts (-)
5	Antenne	Vorne links (+)
6		Vorne links (-)
7	ACC+	Hinten links (+)
8	Ground	Hinten links (-)

**STÖRUNGSBEHEBUNG**

Ehe Sie die Checkliste durchgehen, überprüfen Sie die Verkabelung.

Sollte eines der Probleme nach Konsultieren der Checkliste nicht behoben sein, kontaktieren Sie Ihren Händler.

Symptom	Ursache	Lösung
Kein Strom	Der Zündschlüssel wurde nicht gedreht	Wenn die Stromzufuhr richtig mit dem entsprechenden Anschluss des Autos verbunden ist, drehen Sie den Zündschlüssel in die Position "ACC"
	Die Sicherung ist herausgegangen	Ersetzen Sie die Sicherung
CD lädt nicht oder wird nicht ausgeworfen	Position der CD im Player	Entfernen Sie die CD aus dem Player und legen Sie eine neue ein
	CD falsch herum eingelegt	Legen Sie die CD mit der Beschriftung nach oben ein
	Die CD ist sehr verschmutzt oder fehlerhaft	Reinigen Sie die CD oder versuchen Sie, eine neue abzuspielen
	Temperatur im Auto ist zu hoch	Kühlen oder abwarten, bis sich die Innentemperatur normalisiert hat
Kein Ton	Kondensation	Lassen Sie den Player für einen Stunde aus und versuchen Sie es dann erneut
	Lautstärke ist auf Minimum eingestellt	Stellen Sie die Lautstärke auf den gewünschten Pegel
Ton springt	Verkabelung wurde nicht richtig durchgeführt	Überprüfen Sie die Verkabelung
	Der Installationswinkel beträgt mehr als 30 Grad	Passen Sie den Installationswinkel so an, dass er weniger als 30 Grad beträgt
Die Bedienungsknöpfe funktionieren nicht	Die CD ist sehr verschmutzt oder fehlerhaft	Reinigen Sie die CD; versuchen Sie, eine neue spielen zu lassen
	Der eingebaute Microcomputer funktioniert nicht richtig aufgrund Geräuschkulissee	Drücken Sie den RESET-Knopf. Frontplatte ist nicht richtig eingesetzt
Das Radio funktioniert nicht	Das Antennenkabel ist nicht angeschlossen	Stecken Sie das Antennenkabel richtig ein
	Die Signale sind zu schwach	Wählen Sie eine Station von Hand aus
Error 1	Mechanismusfehler	Drücken Sie die Reset-Taste, um das Problem zu beheben. Verschwindet der Fehlercode dennoch nicht, dann suchen Sie bitte Ihren nächsten Service-Händler auf.
Error 2	Servo-Focus-Fehler	Drücken Sie die Reset-Taste, um das Problem zu beheben. Verschwindet der Fehlercode dennoch nicht, dann suchen Sie bitte Ihren nächsten Service-Händler auf.