

1. VOLUME UP/DOWN KNOB
2. SEL BUTTON (VOLUME/BASS/TREBLE/BALANCE/FADER)
4. PANEL RELEASE BUTTON
5. MUTE BUTTON
6. AMS (MP3) BUTTON
7. AF BUTTON
8. TA BUTTON
9. POWER BUTTON
10. TUNE/SEEK/TRACK FORWARD BUTTON
11. PTY BUTTON
12. TUNE/SEEK/TRACK REVERSE BUTTON
13. BAND/ID3 BUTTON
- 14/15/17/18/19/20. PRESET STATIONS BUTTONS (M1-M6)
16. DISPLAY BUTTON
17. RANDOM BUTTON
18. REPEAT BUTTON
19. INT BUTTON
20. PAUSE BUTTON
21. MODE BUTTON
22. RESET BUTTON
23. DISC EJECT

SPECIFICATIONS

GENERAL

Power Supply	DC 12V
Polarity	Negative Ground
Speaker impedance	4-8 ohms
Power Output	4 x 55W

CD PLAYER

System	Compact disc audio system
Usable disc	Compact disc
Sampling frequency	44.1KHz
No of quantization bits	16bit
Frequency	20-20,000Hz
Number of channels	2 stereo
S/N Ratio	>60dB

RADIO SECTION

FM

Frequency Range	87.5-108 Mhz
Usable Sensitivity	Better than 12dB at S/N 30 dB
Stereo Separation	30 dB at 1KHz
S/N Ratio	45 dB

MW

Frequency Range	522-1620 Khz
Intermediate Frequency	450KHz
Usable Sensitivity	Better than 38dB at S/N 20dB
S/N Ratio	35 dB

REMARK :

Specifications subject to change without notice.

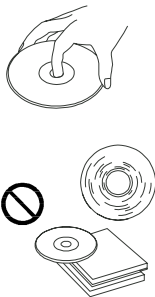
DISC PLAY

PRECAUTIONS

- Use only in a 12-volt DC negative-ground electrical system.
- Disconnect the vehicle's negative battery terminal while mounting and connecting the unit.
- When replacing the fuse, be sure to use one with an identical amperage rating.
- Using a fuse with a higher amperage rating may cause serious damage to the unit.
- DO NOT attempt to disassemble the unit. Laser beams from the optical pickup are dangerous to the eyes.
- Make sure that pins or other objects do not get inside the unit; they may cause malfunctions, or create safety hazards such as electrical shock or laser beam exposure.
- If you have parked the car for a long time in hot or cold weather, wait until the temperature in the car become normal before operating the unit.
- Keep the volume at a level at which you can hear outside warning sounds (horns sirens, etc.).

CD NOTES

- Playing a defective or dusty CD can cause dropouts in sound.
- Hold CDs as illustrated.
- DO NOT touch the unlabeled side.
- DO NOT attach any seal, label or data protection sheet to either side of a disc.
- DO NOT expose a CD to direct sunlight or excessive heat.
- Wipe a dirty CD from the center outward with a cleaning cloth.
- Never use solvents such as benzine or alcohol.
- This unit cannot play 3-inch (8cm) CDs.
- NEVER insert a 3-inch CD contained in the adapter or an irregularly shaped CD.
- The unit may not be able to eject it, resulting in a malfunction.



BEFORE OPERATION

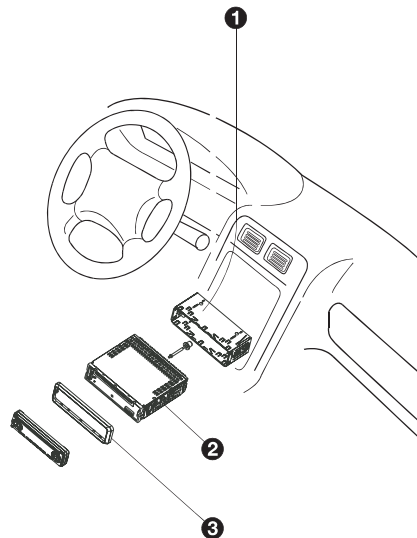
- DO NOT raise the volume level too much, as this will block outside sounds, making driving dangerous.
- Stop the car before performing any complicated operation.

CAUTION

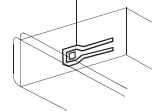
DO NOT open covers and do not repair by yourself. Consult the dealer or an experienced technician for help.

Installation procedures

First complete the electrical connections, and then check them for correctness.



lock lever ()



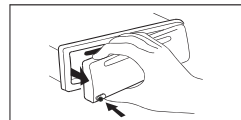
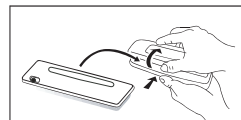
1. Insert mounting bracket into the dashboard, and bend the mounting tabs out with a screwdriver. (Make sure that lock lever is flush with the mounting bracket. Not projecting outward)
2. Secure the rear of the unit After fixing mounting bolt and power connector, fix the rear of the unit to the car body by rubber cushion.
3. Insert trimplate

Anti-Theft System

This unit is equipped with a detachable panel. Removing this panel makes the radio totally inoperable.

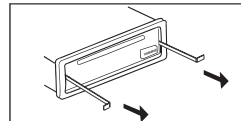
Removing the panel

1. Switch off the power of the unit.
2. Remove the detachable panel.
3. Gently press the button of the case and open the cover. Place the panel into the case and take it with you when you leave the car.



Install detachable panel

1. Fix right part of face plate in the right part of panel slot of the unit.
2. Press down the left side of the face plate until it clicks into the panel slot of the unit.



Remove the unit

Switch of the power of the unit.

1. Remove the panel and the trim plate.
2. Insert both T-Keys into hole in front of the set until they lock.
3. Pull out the unit.

5. BASIC OPERATIONS

4) PANEL RELEASE BUTTON

Press this button to remove the control panel.

9) POWER ON/OFF BUTTON

Press POWER button or any other button on the front of the radio (except Open/Eject) to turn the unit on. Press POWER button again to turn the unit off.

21) MODE BUTTON (MODE)

Press MODE button to select a different mode of operation as indicated on the display panel. Available modes include Tuner and CD (MP3) mode.

5) MUTE BUTTON (MUTE)

Press the mute button momentarily to mute the audio volume, and "Mute on" will be displayed. Press the mute button again to restore volume to the previous setting.

1) VOLUME KNOB

To increase the volume rotate the volume knob clockwise, to decrease the volume rotate the volume knob counterclockwise.

2) SEL BUTTON (SEL)

Press the SEL button, the display will be displayed first option is Volume, followed by Bass, Treble, Balance, Fader and back to Volume.

When adjusting audio functions, the unit will automatically exit audio control mode after 5 seconds of inactivity. Use the volume button to adjust the settings.

Press the SEL button for more than 3 seconds, the display will be displayed as cyclical mode of following functions: TA SEEK or ALARM, MASK DPI or ALL, RETUNE L or S, DSP LOUD OFF/ON, ESP 12/45, MULTI ON/OFF, BEEP ON/OFF, SEEK 1/2, STEREO/MONO, DX/LOCAL.

TA SEEK or ALARM

Use the volume knob to choose TA ALARM or TA SEEK mode. When TA is turned on and no traffic program identification code has been received during the specified time, no TA/TP is displayed and according to the MENU SELECT, alarm is set off, or TA SEEK is activated.

TA ALARM mode: NO TA/TP is displayed and alarm is set off.

TA SEEK mode: TA SEEK is activated.

MASK DPI or ALL

Use the volume knob to choose MASK DPI or MASK ALL mode.

MASK DPI mode: Only the AF which has different program identification is masked.

MASK ALL mode: The AF which has different program identification and NO RDS signal with high field strength is masked.

RETUNE L or S

The initial time of automatic TA search or PI search mode is selected. When PI information is not caught for retune time, the radio start to retune to the next same PI station. When the same PI station does not catch 1 cyclic search, the radio start to retune to the next same PI station.

RETUNE L mode: Selected as 90 seconds

RETUNE S mode: Selected as 30 seconds

DSP MODE

Use the volume knob to choose DSP sound effect:

POP > ROCK > CLASSIC > FLAT > DSP OFF

LOUD OFF/ON

Reinforce the bass output.

Use the volume knob to switch between LOUD ON and LOUD OFF.

ESP 12/45 (Electronic Shock Protectio)

Use the volume knob to switch between ESP 12 and ESP 45.

ESP 12: buffer memory from 12 seconds / ESP 45: buffer memory from 45 seconds

MULTI SESSION

Use the volume knob to switch between MULTI ON and MULTI OFF.

MULTI OFF: support mixed CD, one session CD

MULTI ON: support mixed, extra, multi session CD

BEEP ON/OFF

Use the volume knob to switch between BEEP ON and BEEP OFF.

SEEK 1/2

Use the volume knob to switch between SEEK 1 and SEEK 2.

STEREO/MONO

Use the volume knob to switch between STEREO and MONO.

DX/LOCAL

Use the volume knob to switch between DX and LOCAL.

9) DISPLAY (DISP)

Pressing the "DISP" key will display the following modes:

In case of receiving a RDS station:

Tuner mode PS – FREQ – CLOCK – PTY

CD/MP3 player mode CDP – CT – PS – FREQ – PTY

In case of receiving NON RDS station

Tuner mode FREQ – NO CLOCK – NO PTY

CD/MP3 player mode CDP – FREQ – CT – NO PTY

CLOCK SETTINGS

Press the DISP button for more than 1 second, clock mode switches to clock adjusting mode and the clock display begins to flash. With the volume knob you can change the time clock.

6. TUNER OPERATION

13) BAND BUTTON (BAND)

Press BAND to change between FM 1, FM 2, FM 3, MW 1 and MW 2.

10-12) TUNING UP/DOWN BUTTON

Manual Tuning

Press the Up Tuning or Down Tuning button for more than 3 seconds to move the radio frequency number up or down one step.

Auto Seek Tuning

Press the Up Tuning or Down Tuning button for less than 3 seconds to move to next station automatically.

14-15-17-18-19-20) PRESET STATIONS BUTTONS

Six numbered preset buttons store and recall stations for each band (3FM/2MW bands).

Store a Station

Select a band (if needed), then select a station. Hold a preset button for 3 seconds. The preset number will appear in the display.

Recall a Station

Select a band (if needed). Press a preset button to select the corresponding stored station.

4) AUTOMATICALLY STORE / PRESET SCAN (AMS)

Automatically Store

Automatically select 6 strong stations and store them in the current band. Select a band (if needed). Press AMS button for more than three seconds. The new stations replace stations already stored in that band.

Preset Scan

Scan stations stored in the current band. Select a band (if needed). Press AMS button for less than 3 seconds. The unit will pause for ten seconds at each preset station. Press AMS button again to stop scanning when the desired station is reached.

Stereo

The unit will automatically pick up a stereo signal, if stereo signal is available.

7. CD PLAYER OPERATION

21) INSERT AND EJECT CD

Insert a CD label-side up with the unit turned on, and the disc will begin to play. Press the Eject button to stop CD play and eject the CD. The unit does not have to be turned on to eject the CD.

20) PAUSE BUTTON (PAU)

Press the pause button to suspend disc play. Press the pause button again to resume disc Play.

10-12) TRACK SELECT

Press the TUNE/SEEK/TRACK/ FORWARD or TUNE/SEEK/TRACK/ REVERSE button for less than one second to advance to the next track on the CD. The selected track number will appear on the display. Press and hold the TUNE/SEEK/TRACK/ FORWARD or TUNE/SEEK/TRACK/ REVERSE button for more than one second to fast forward or fast reverse through the disc.

18) REPEAT BUTTON (RPT)

Press REPEAT BUTTON (RPT) during disc play to continuously repeat the track. Press REPEAT BUTTON (RPT) again to stop Repeating.

17) RANDOM BUTTON (RDM)

Press RANDOM BUTTON (RDM) during disc play to play all tracks on a CD in random order. Press RANDOM BUTTON (RDM) again to stop random play.

19) INTRO SCAN BUTTON (INT)

During disc play, press INTRO SCAN BUTTON (INT) to play the first 10 seconds to each track on the disc. When the desired track is reached, press INTRO SCAN BUTTON (INT) again to end the scan and play the selected track.

CD TEXT

The unit can display the first 8 letters of Album Title, Artist Title. If the recorded information is longer than 8 characters. The rest of text will scroll from right to left on the display.

RDS FUNCTIONS

The unit is equipped with the following RDS function:

- AF Alternative Frequencies
- CT Clock Time
- EON Enhanced other Network
- PI Program identifications
- PS Program service name
- PTY Program Type
- REG Regional Change
- TA Traffic Announcement
- TP Traffic program

8. RDS OPERATION

1. AF FUNCTION

By pressing AF button (7) < 3 seconds to select AF ON/OFF. Under AF "On" mode, if the tuned in station signal is getting weak, the unit will automatically switches to a different frequency on the same network with stronger signal.

By pressing AF button > 3 seconds to select REGIONAL MODE ON/OFF.

Regional mode on (REG ON): AF switching or PI SEEK is implemented to the station which have all the PI codes the same as the current station. REG of individual segment is turned on also together with displaying "REG ON" on numeric display for a few seconds.

Regional mode off (REG OFF): The regional code in the format of PI code is ignored when AF switching or PI SEEK is implemented. REG of individual segment is turned off together with displaying "REG OFF" on numeric display for a few seconds. When regional mode is off, the radio may switch from a national program station to a local variant of that program, or from a local station in an area to a local station to a local station in another area. If you don't want to switch to a local station, turn regional mode on. The radio will only switch to an AF that broadcast exactly the same program.

2. TA FUNCTION

Press TA button (8) to turn on/off TA. When TA mode is on and TA indicator on LCD is displayed. When a traffic announcement broadcast starts, the traffic announcement broadcast will be received as top priority regardless of the function mode.

The unit will go back to the previous mode and TA goes into stand by mode again.

TA volume (nieuwe vertaling)

The TA volume will automatically begin at 20. If the volume level was below 20, it will be raised to 20. The volume returns to its previous mode and volume level when the traffic announcement is over.

3. PTY FUNCTION

Pressing PTY button (11) < 3 seconds to go into PTY select mode. "PTY" icon will light up on the LCD. The user now has 5 seconds to select the desired PTY item by using the preset buttons (14/15/17/18/19/20). The unit will automatically search. If no station with the selected PTY broadcast can be received, the LCD will display "No Match PTY" and blinks for 5 seconds then returns to the previous mode.

The 2 program types are speech and music. (nieuwe vertaling)

By pressing PTY once, MUSIC is entered. When PTY is pressed the second time, SPEECH is entered. 1~6 buttons can be used to select the desired program type.

	MUSIC GROUP	SPEECH GROUP
1	POP, ROCK	NEWS, AFFAIRS, INFO
2	EASY, LIGHT	SPORT, EDUCATE, DRAMA
3	JAZZ, COUNTRY	WEATHER, FINANCE, CHILDREN
4	CLASSICS	CULTURE, SCIENCE, VARIED
5	NATION, OLDIES	SOCIAL, RELIGION, PHONE IN
6	FOLK	TRAVEL, LEISURE, DOCUMENT

Note: Factory default stored for PTY preset memory.

M1/News, M2/Information, M3/Pop Music, M4/Sports, M5/Classics, M6/Finance.

9. MP3 FUNCTION

How to select MP3 files

1. Searching track (nieuwe vertaling)

- Press "AMS" once then searching is activated
- With the SEL button (2) you can select the digits
- With the volume knob (1) you can select the track number, only track 1-999
- Press SEL button > 0,5 sec and the song that you have selected will start playing

2. Searching file name

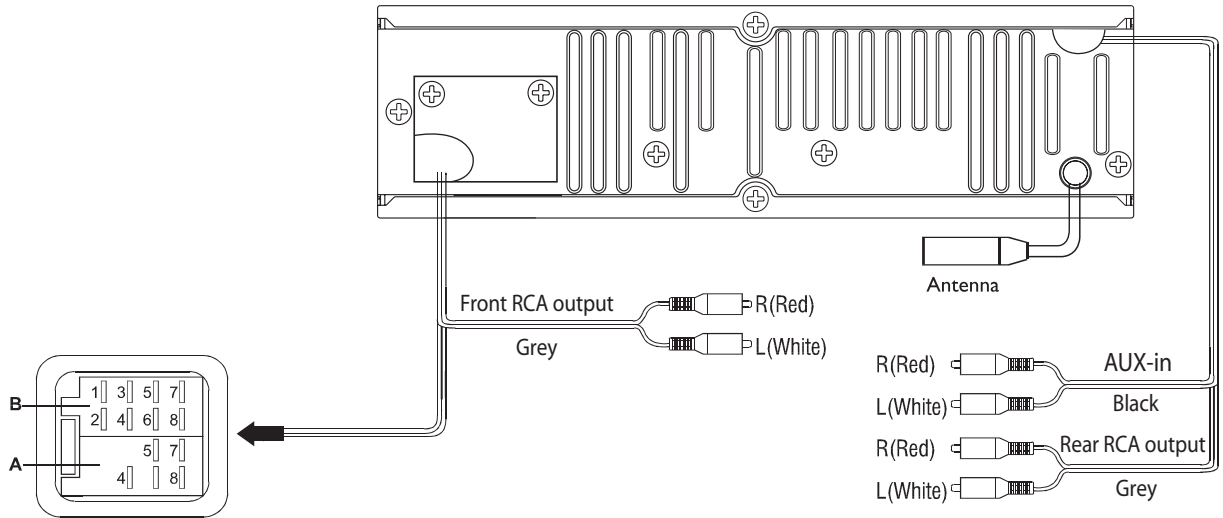
- Press "AMS" twice, now file search is activated
- Press the "SEL" button (2) then the first directory "A" is displayed
- With the volume knob (1) you can select the directory you want
- Press "SEL" again, now the directory is fixed and the first file name will appear
- With the volume knob (1) you can select the file you want
- Press "SEL" > 0,5 sec and the song you have selected will be played

3. Searching trackname

- Press "AMS" one time, now the trackname search is activated
- Press "SEL" button, Character "A" display in the 1st digit
- With the volume knob (1) select the character you want
- Press "SEL" button, Character "A" display in the 2nd digit
- With the volume knob (1) select the character you want
- Press "SEL" button > 0,5 sec and the song you have selected will be played

Selected song

During MP3 operation, press 5 button to move back 10 songs, press 6 button to move forward 10 songs.

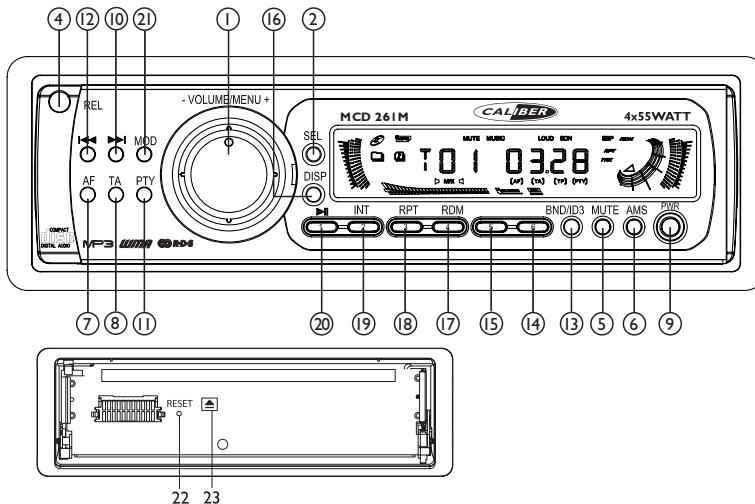


Location	Function	
	A	B
1		Rear right (+) - Purple
2		Rear right (-) - Purple / Black stripe
3		Front right (+) - Gray
4	Accu 12V(+)	Front right (-) - Gray / Black stripe
5	Auto Antenna	Front Left (+) - White
6		Front Left (-) - White / Black stripe
7	ACC+	Rear left (+) - Green
8	Ground	Rear Left (-) - Green / Black Stripe

TROUBLESHOOTING

Before going through the check list, check wiring connection. If any of the problems persist after check list has been made, consult your nearest service dealer.

Problem	Cause	Solution
No power	The car ignition switch is not on	If the power supply is properly connected to the car accessory terminal, switch the ignition key to "ACC"
	The fuse is blown	Replace the fuse
Disc cannot be loaded or ejected	Presence of disc inside the player	Remove the disc in the player, then insert a new one
	Inserting the disc in reverse direction	Insert the compact disc with the label facing upward
	The disc is extremely dirty or defective	Clean the disc or try to play a new one
	Temperature inside the car is too high	Cool off or until the ambient temperature returns to normal
	Condensation	Leave the player off for an hour, then try again
No sound	Volume is in minimum	Adjust volume to a desired level
	Wiring is not properly connected	Check wiring connection
Sound skips	The installation angle is more than 30 degrees	Adjust the installation angle less than 30 degrees
	The disc is extremely dirty or defective	Clean the compact disc, then try to play a new one
The operation keys do not work	The built-in microcomputer is not operating properly due to noise	Front panel is not properly fixed into its place Press the RESET button.
The radio does not work	The antenna cable is not connected	Insert the antenna cable firmly
	The signals are too weak	Select a station manually



1. TOUCHE DE REGLAGE DE VOLUME HAUT/BAS
2. BOTÓN SEL (Volumen/Graves/Agudos/Balance/Atenuador)
4. TOUCHE DEBLOCAGE PANNEAU
5. TOUCHE SOURDINE (MUTE)
6. TOUCHE AMS (MP3)
7. TOUCHE AUDIOFREQUENCE (AF)
8. TOUCHE TA
9. TOUCHE ALIMENTATION (POWER)
10. BOTÓN TUNE/SEEK/TRACK FORWARD
11. TOUCHE PTY
12. BOTÓN TUNE/SEEK/TRACK REVERSE
13. GAMME (BAND/ID3)
- 14/15/17/18/19/20. TOUCHES STATIONS PREREGLEES (1-6)
16. TOUCHE ECRAN D'AFFICHAGE
17. BOTÓN RANDOM
18. TOUCHE RPT
19. TOUCHE INT
20. BOTÓN PAUSE
21. TOUCHE MODE
22. TOUCHE DE RÉINITIALISATION
23. DISC EJECT

CARACTÉRISTIQUES

GENERALITES

Alimentation électrique	DC 12V
Polarité	Mise à la terre négative
Impédance haut-parleur	4-8 ohms
Puissance sortie	4 x 55W

LECTEUR CD

Système	Système audio compact disc
Disque utilisable	Compact disc
Taux d'échantillonnage	44,1KHz
Nbre de bits de quantification	16 bit
Fréquence	20-20,000Hz
Nombre de canaux	2 stéréo
Rapport Signal sur Bruit	>60 dB

SECTION RADIO

FM

Gamme de fréquences	87,5-108 Mhz
Sensibilité utilisable	Supérieure à 12dB à S/B 30 dB
Séparation stéréo	30 dB à 1KHz
Rapport Signal / Bruit	45 dB

MW

Gamme de fréquences	522-1620 KHz
Fréquence intermédiaire	450KHz
Sensibilité utilisable	Supérieure à 38dB à S/B 20 dB
Rapport Signal sur Bruit	35 dB

REMARQUE :

Caractéristiques sous réserve de modifications sans préavis

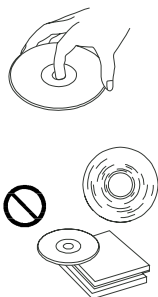
DISC PLAY

PRÉCAUTIONS

- N'utilisez que dans un système électrique 12 volts CD de polarité négative.
- Déconnectez la borne négative de la batterie du véhicule lors du montage et de la connexion de l'unité.
- Lors du remplacement du fusible, veillez à un fusible avec un ampérage identique. Utiliser un fusible avec un ampérage supérieur peut causer de graves dommages à l'unité.
- N'essayez PAS de démonter l'unité. Les rayons laser du capteur optique sont dangereux pour les yeux.
- Vérifiez que les broches ou autres objets ne pénètrent pas dans l'unité ; ils peuvent entraîner des dysfonctionnements, ou créer des risques pour la sécurité tels que des chocs électriques ou une exposition au rayon laser.
- Si vous avez parqué la voiture pendant un long moment par temps froid ou chaud, attendez que la température dans la voiture redevienne normale avant de mettre l'unité en marche.
- Maintenez le volume à un niveau qui vous permet d'entendre les bruits d'avertissement extérieurs (klaxons, sirènes, etc.).

Remarques relatives aux CD

- La lecture de CD poussiéreux ou défectueux peut entraîner des pertes sonores.
- Tenez les CD comme illustré.
- NE touchez PAS la face du CD sans étiquette.
- Ne posez aucun sceau, aucune étiquette ni aucune feuille de protection de données d'un côté ou l'autre du disque.
- N'exposez PAS un CD à la lumière directe du soleil ou à une chaleur excessive.
- Essuyez un CD sale du centre vers l'extérieur à l'aide d'un chiffon nettoyant. N'utilisez jamais de solvants tels que de la benzine ou de l'alcool.
- Ce lecteur ne peut jouer de CD 3 pouces (8 cm).
- N'insérez JAMAIS un CD 3 pouces contenu dans l'adaptateur ou un CD de forme irrégulière. L'unité pourrait ne pas pouvoir le rejeter, ce qui entraînerait un dysfonctionnement.

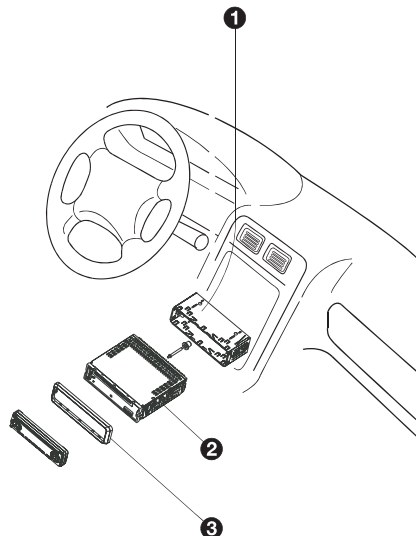


Avant la mise en marche

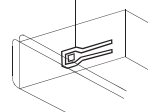
- N'augmentez PAS trop le niveau sonore, car cela vous empêcherait d'entendre les sons extérieurs, rendant la conduite dangereuse.
- Arrêtez la voiture avant d'effectuer toute opération compliquée.

ATTENTION

N'ouvrez PAS les caches et n'effectuez aucune réparation vous-même. Consultez le distributeur ou un technicien expérimenté si vous avez besoin d'aide.



lock lever ()

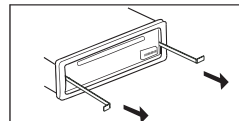
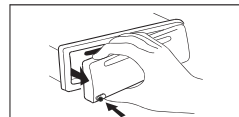
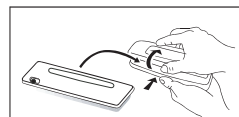


1. Insérez le manchon de montage dans le tableau de bord et pliez les pattes de montage vers l'extérieur avec un tournevis. Vérifiez que le levier de verrouillage () est dans l'alignement du manchon de montage. (Qu'il ne ressort pas vers l'extérieur)
2. Fixez l'arrière de l'unité. Après avoir installé le boulon de fixation et la prise d'alimentation, fixez l'arrière de l'unité à la voiture par le tampon en caoutchouc.
3. Installez la plaque de garniture.

Ce lecteur est équipé d'un panneau détachable motorisé coulissant. Le panneau peut être détaché et emmené avec vous, ce qui vous aidera à décourager les voleurs.

Retrait du panneau

1. Appuyez H23 pour faire baisser le panneau.
2. Appuyez sur le bouton PWR pendant plus de 2 secondes pour mettre l'unité hors tension.
3. Déboîtez un peu la partie gauche du panneau, ensuite déboîtez le panneau à partir de la droite. Le panneau se retirera automatiquement.
4. Appuyez doucement sur le bouton du boîtier du panneau et ouvrez l'étui. Placez le panneau dans le boîtier et emmenez-le avec vous lorsque vous quittez la voiture.



Installation du panneau

1. Insérez le panneau dans l'ouverture de l'unité.
2. Poussez sur le panneau avant jusqu'à ce qu'il se mette en place.

Retrait du lecteur

1. Enlevez le panneau et la plaque de garniture.
2. Insérez les deux T-Keys dans les trous à l'avant de l'appareil jusqu'à ce qu'ils s'emboîtent.
3. Sortez l'unité.

5. BASIC OPERATIONS

4) TOUCHE DEBLOCAGE PANNEAU

Appuyez sur cette touche pour enlever le panneau de commande.

9) TOUCHE MARCHE/ARRET

Appuyez sur la touche POWER ou toute autre touche à l'avant de la radio (sauf Open/Eject) pour allumer l'appareil. Appuyez de nouveau sur la touche POWER pour éteindre l'appareil.

21) TOUCHE MODE

Appuyez sur la touche MODE pour sélectionner un mode de fonctionnement, comme indiqué sur le panneau d'affichage. Les modes disponibles sont les suivants : Tuner et CD (MP3/WMA).

5) TOUCHE SOURDINE (MUTE)

Appuyez une fois sur la touche MUTE pour éteindre momentanément le volume sonore y "Mute on" sera mostrado. Appuyez de nouveau sur la touche MUTE pour rétablir le son au niveau sonore précédent.

1) TOUCHE VOLUME HAUT/BAS

Pour augmenter le volume, tourner le bouton dans le sens des aiguilles d'une montre. Pour baisser le volume, tourner le bouton dans le sens inverse des aiguilles d'une montre.

2) TOUCHE DE SELECTION SEL (SEL)

Appuyez sur la touche SEL. Différentes options apparaissent à l'écran d'affichage: la première option est Volume, Bass, Treble, Balance, Fader et retour à Volume.

Lorsque vous configurez les fonctions audio, l'appareil quitte automatiquement le mode de sélection audio après 5 secondes d'inactivité. Utilisez la touche de réglage du volume pour modifier les réglages.

Presione el botón SEL por más de 3 segundos, la pantalla será mostrada como el modo cíclico de las funciones siguientes: TA SEEK e ALARM, MASK DPI e ALL, RETUNE L e S, DSP, LOUD OFF/ON, ESP 12/45, MULTI ON/OFF, BEEP ON/OFF, SEEK 1/2, STEREO/MONO, DX/LOCAL.

TA SEEK E ALARM

Utilisez la touche volume haut/bas pour choisir le mode TA ALARM ou TA SEEK. Lorsque le mode TA est activé et qu'aucun code d'identification de programme de trafic n'a été reçu durant la période spécifiée, aucun TA/TP n'est affiché et, selon le MENU SELECT, l'alarme est déclenchée ou TA SEEK est activé.

Mode TA ALARM: NO TA/TP est affiché et l'alarme est déclenchée.

Mode TA SEEK: TA SEEK est activé.

MASK DPI e ALL

Utilisez la touche volume haut/bas pour choisir le mode MASK DPI ou MASK ALL.
 MODE MASK DPI: Seul l'AF qui a une identification de programme différente est masqué.
 MODE MASK ALL: L'AF qui a une identification de programme différente et le signal NO RDS avec une intensité de champ élevée est masqué.

RETUNE L e S

L'heure initiale de la recherche automatique TA ou PI peut être sélectionnée. Lorsque l'information PI n'est interceptée pendant le temps de réglage, la radio se réglera sur la prochaine chaîne PI. Lorsque cette même chaîne PI n'est interceptée pendant le temps d'une recherche cyclique, la radio se réglera sur la prochaine pareille chaîne PI.

Mode RETUNE L: Dure 90 secondes.

Mode RETUNE S: Dure 30 secondes.

DSP MODE

Tourner le bouton pour choisir les effets sonores:

OFF > FLAT > CLASSIC > POP > ROCK

PUISSANT ETEINT/ALLUME

Renforce la sortie de basse.

Utilisez la touche volume haut/bas pour choisir entre LOUD ON ou LOUD OFF.

ESP 12/45 (Protection contre les Shock Electronique)

Utilisez la touche volume haut/bas pour choisir entre ESP 12 ou ESP 45.

ESP 12: Mémoire tampon toutes les 12 secondes/ESP 45: Mémoire tampon toutes les 45 secondes.

MULTI SESSION

Utilisez la touche volume haut/bas pour choisir entre MULTI ON ou MULTI OFF.

MULTI OFF: Peut lire des CD mixé, CD d'une session

MULTI ON: Peut lire des CD mixé, extra, CD d'une multi session

BIP ALLUME/ ETEINT

Utilisez la touche volume haut/bas pour choisir entre BEEP ON ou BEEP OFF.

RECHERCHE 1/2

Utilisez la touche volume haut/bas pour choisir entre SEEK 1 ou SEEK 2.

STEREO/MONO

Utilisez la touche volume haut/bas pour choisir entre STEREO ou MONO.

DX/LOCAL

Utilisez la touche volume haut/bas pour choisir entre DX ou LOCAL.

9) ECRAN D'AFFICHAGE (DISP)

L'actionnement de la touche « DISP » permet d'afficher les modes suivants :

En cas de réception d'une station RDS :

Mode radio PS – FREQ – CLOCK – PTY

Mode lecteur CD/MP3 CDP – CT – PS – FREQ – PTY

En cas de réception d'une station non-RDS :

Mode radio FREQ – NO CLOCK – NO PTY

Mode lecteur CD/MP3 CDP – CT – FREQ – NO PTY

RÉGLAGES DE L'HORLOGE

Appuyez sur le bouton DISP pendant plus d'une seconde, puis l'appareil passera du mode horloge au mode réglages de l'horloge et l'heure affichée clignotera.

A l'aide du touche volume haut/bas, vous pouvez changer l'heure.

6. FONCTIONNEMENT DE LA RADIO

13) TOUCHE GAMME (BAND)

Appuyez sur la touche BAND pour régler FMI, FM2, FM3, MW1 ou MW2.

10-12) TOUCHE ACCORD HAUT/BAS

Accord manuel

Appuyez sur la touche Accord haut/bas pendant plus de 3 secondes pour augmenter ou abaisser le numéro de fréquence radio d'une unité.

Accord par recherche automatique

Appuyez sur la touche Accord haut/bas pendant moins de 3 secondes pour passer automatiquement à la station suivante.

14-15-17-18-19-20) TOUCHES DE STATIONS PREREGLEES

Six touches numérotées permettent de mémoriser et de récupérer des stations pour chaque gamme (3FM/2MW bands).

Mémoriser une station

Sélectionnez une gamme (au besoin) et ensuite une station. Appuyez sur une touche de préréglage et maintenez-la enfoncée pendant 3 secondes. Le numéro de préréglage apparaîtra à l'écran d'affichage.

Récupérer une station

Sélectionnez une gamme (au besoin). Appuyez sur une touche de préréglage pour sélectionner la station mémorisée souhaitée.

4) MEMORISATION AUTOMATIQUE / BALAYAGE STATIONS PREREGLEES (AMS)

Mémorisation automatique

Cette fonction sélectionne automatiquement 6 stations suivant la force de leur signal et les mémorise dans la gamme en cours. Sélectionnez une gamme (au besoin). Appuyez sur la touche AMS pendant plus de trois secondes. Les nouvelles stations remplacent les stations déjà mémorisées dans cette gamme.

Balayage des stations préréglées

Fonction de balayage des stations mémorisées dans la gamme en cours. Sélectionnez une gamme (au besoin). Appuyez sur la touche AMS pendant moins de trois secondes. L'appareil s'arrête pendant dix secondes à chaque station préréglée. Appuyez de nouveau sur la touche AMS pour arrêter le balayage lorsque la station souhaitée est atteinte.

Stéréo

L'appareil capte automatiquement un signal stéréo quand un signal stéréo est disponible.

7. FONCTIONNEMENT DU LECTEUR CD

21) INSERTION ET EJECTION DE CD

Insérez un CD avec l'étiquette dirigée vers le haut dans l'appareil allumé. La lecture du CD commence. Appuyez sur la touche d'éjection pour arrêter la lecture du CD et éjecter le CD. L'éjection du CD peut se faire sans que l'appareil ne soit allumé.

20) TOUCHE PAUSE (PAU)

Appuyez sur la touche de pause pour suspendre la lecture du CD. Appuyez de nouveau sur la touche de pause pour reprendre la lecture du disque

10-12) SELECTION DE PLAGE

Appuyez sur la touche TUNE/SEEK/TRACK FORWARD e TUNE/SEEK/TRACK REVERSE button pendant moins d'une seconde pour avancer d'une plage à l'autre du CD. Le numéro de la plage sélectionnée apparaît à l'écran d'affichage. Appuyez sur la touche TUNE/SEEK/TRACK FORWARD e TUNE/SEEK/TRACK REVERSE button et maintenez-la enfoncée pendant plus d'une seconde pour avancer ou reculer rapidement.

18) TOUCHE DE REPETITION (RPT)

Appuyez sur la TOUCHE DE REPETITION (RPT) pendant la lecture du disque pour répéter continuellement la même plage. Appuyez de nouveau sur la TOUCHE DE REPETITION (RPT) pour arrêter la répétition.

17) TOUCHE DE LECTURE EN ORDRE ALEATOIRE (RDM)

Appuyez sur la TOUCHE DE LECTURE EN ORDRE ALEATOIRE (RDM) pendant la lecture du disque pour une lecture en ordre aléatoire de toutes les plages du CD. Appuyez de nouveau sur la TOUCHE DE LECTURE EN ORDRE ALEATOIRE pour arrêter la lecture aléatoire.

19) TOUCHE DE BALAYAGE DES PLAGES (INT)

Pendant la lecture du disque, appuyez sur la TOUCHE DE BALAYAGE DES PLAGES (INT) pour entendre les 10 premières secondes de chaque plage du disque. Quand la plage souhaitée est atteinte, appuyez de nouveau sur la TOUCHE DE BALAYAGE DES PLAGES (INT) pour arrêter le balayage et écouter la plage sélectionnée.

TEXTE CD

L'appareil peut afficher les 8 premières lettres du titre de l'album et du nom de l'artiste. Si les informations enregistrées comptent plus de 8 caractères, le reste du texte défilera à l'écran de droite à gauche..

FONCTIONS RDS

L'appareil est équipé des fonctions RDS suivantes :

- AF Fréquences alternatives
- CT Temps d'horloge
- EON Autres réseaux
- PI Identification du programme
- PS Nom de la chaîne de programmes
- PTY Type de programme
- REG Changement régional
- TA Annonces routières
- TP Programme pour automobilistes

8. FONCTIONNEMENT RDS

1. FONCTION AF

Si vous appuyez sur la touche AF pendant < 3 secondes pour sélectionner AF ON/OFF. Si le signal de la station accordée s'affaiblit et que l'appareil se trouve en mode AF « On », l'appareil passera automatiquement à une autre fréquence sur le même réseau pour trouver un signal plus puissant.

En appuyant sur le bouton AF > 3 secondes pour choisir la fonction REGIONAL MODE ON/OFF.

Mode Régional allumé (REG ON): Le changement AF ou PI SEEK fonctionne selon les chaînes ayant les mêmes codes PI que la chaîne en cours de transmission. La fonction REG d'une partie individuelle est aussi allumée, et l'écran numérique affichera « REG ON » le temps de quelques secondes.

Mode Régional éteint (REG OFF): Le code régional en format de code PI devient nul, lorsque le changement AF ou le PI SEEK fonctionne. La fonction REG d'une partie individuelle est éteinte et l'écran numérique affiche « REG OFF » le temps que quelques secondes. Lorsque le mode régional est éteint, la radio peut changer d'émission entre une chaîne nationale et une chaîne locale, ou entre une chaîne locale et une chaîne locale d'ailleurs. Si vous ne désirez pas capter une chaîne radio locale, veuillez allumer le mode régional. La radio captera seulement un AF ayant la même émission.

2. FONCTION TA

Appuyez sur le bouton TA pour allumer/éteindre la fonction TA. Lorsque le mode TA est allumé, l'indicateur TA sera affiché sur l'afficheur LCD. L'émission des informations routières sera reçue en priorité, indépendamment du mode de fonctionnement en cours. L'appareil revient au mode précédent et la fonction TA se remet en mode d'attente.

Son TA

Le son TA débutera automatiquement à 20. Si le son était sur moins de 20, il augmentera jusqu'à 20. Le son se réglera de nouveau sur le niveau précédent dès que les nouvelles concernant la circulations sont terminées.

3. FONCTION PTY

Appuyez sur la touche PTY pendant < 3 secondes pour sélectionner le mode PTY. L'icône « PTY » apparaît à l'écran LCD. L'utilisateur a désormais 5 secondes pour choisir le PTY désiré à l'aide des boutons présélectionnés. (14/15/17/18/19/20). L'appareil cherchera automatiquement. Si aucune station avec le programme PTY sélectionné ne peut être trouvée, l'écran LCD affichera « No PTY » et cliignera pendant 5 secondes avant de revenir au mode précédent.

Les deux sortes de programmes sont les discours et la musique.

En appuyant sur PTY une fois, vous enclenchez la fonction MUSIC. En appuyant de nouveau sur PTY, vous enclenchez la fonction SPEECH. Boutons 1~6 peuvent être utilisés pour choisir le type de d'émission que vous désirez écouter.

GRUPE DE MUSIQUE

POP , ROCK
VARIETES, MUSIQUE LEGERE
JAZZ, COUNTRY
CLASSIQUE
NATIONAL, NOSTALGIE
FOLK

Remarque: valeurs par défaut mémorisées pour mémoires préréglées PTY : M1/Actualités, M2/Informations, M3/Variétés, M4/Sports, M5/Classique, M6/Finances.

GRUPE DE PARES

ACTUALITES, AFFAIRES, INFOS
SPORT, EDUCATION, THEATRE
METEO, FINANCES, ENFANTS
CULTURE, SCIENCE, DIVERS
SOCIAL, RELIGION, DEBATS TELEPHONQUES
VOYAGES, LOISIRS, DOCUMENTAIRES

9. FONCTION MP3

Comment sélectionner des fichiers MP3

1. Recherche d'un morceau

- En appuyant une fois sur « AMS », la fonction recherche est activée.
- A l'aide du bouton SEL (2), vous pouvez choisir les chiffres.
- A l'aide du touche volume haut/bas (1) vous pouvez choisir le numéro du morceau entre 1-999.
- Appuyez sur le bouton SEL > 0,5 secondes et la lecture du morceau que vous avez choisi débutera.

2. Recherche de nom de fichier

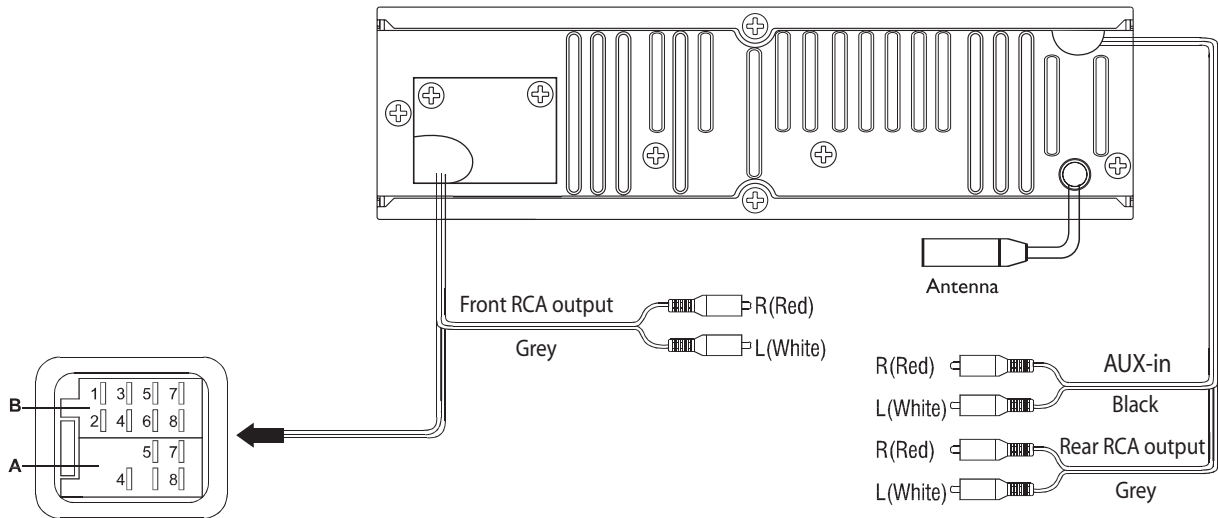
- Appuyez deux fois sur « AMS », la recherche de fichier est à présent activée.
- Appuyez sur « SEL » ; le premier dossier est affiché.
- Avec le touche volume haut/bas (1), sélectionnez le dossier désiré.
- Appuyez de nouveau sur « SEL » ; le dossier est confirmé et le premier nom de fichier apparaît.
- Avec le touche volume haut/bas (1), sélectionnez le fichier désiré.
- Appuyez sur « SEL » ; le morceau choisi est joué.

3. Recherche du nom d'un morceau

- Appuyez sur « AMS » une fois, la fonction de recherche est activée.
- Appuyez sur le bouton « SEL », le premier chiffre affiche la lettre « A ».
- A l'aide du touche volume haut/bas (1) vous pouvez choisir la lettre que vous voulez.
- Appuyez sur le bouton « SEL », la lettre « A » s'affiche à la place du deuxième chiffre.
- A l'aide du bouton son plus/moins (1) vous pouvez choisir la lettre que vous voulez.
- Appuyez sur le bouton « AUDIO » et la chanson que vous avez choisie commencera à jouer.

Morceau choisi

Lorsque vous utilisez des MP3, appuyez sur le bouton numéro 5 pour vous retourner en arrière de 10 morceaux ou sur le bouton numéro 6 pour avancer de 10 morceaux.



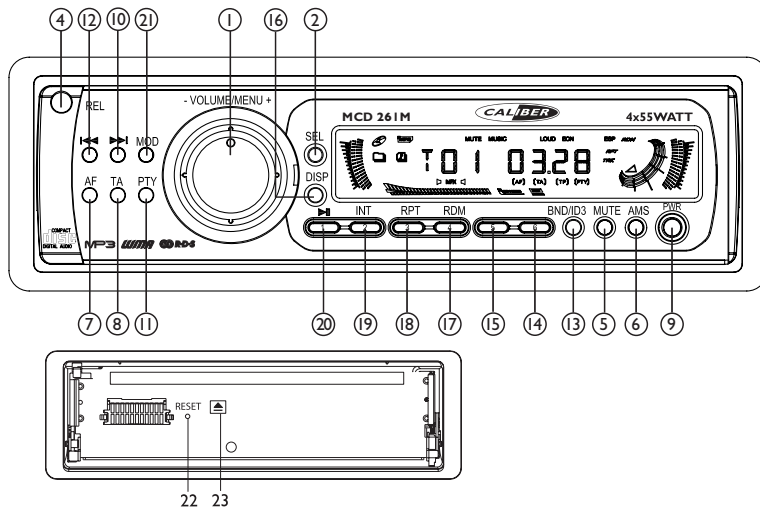
Emplacement	Fonction	
	A	B
1	Batterie 12V(+)	Arrière droit (+) – mauve
2		Arrière droit (+) – mauve / ligne noire
3		Avant droit (+) – gris
4		Avant droit (+) – gris / ligne noire
5	Antenne automatique	Avant gauche (+) – blanc
6		Avant gauche (+) – blanc / ligne noire
7	ACC+	Arrière gauche (+) – vert
8	Ground	Arrière gauche (+) – vert / ligne noire

RÉSOLUTION DES PROBLÈMES

Avant de consulter la liste suivante, vérifiez le câblage et les connexions.

Si le problème rencontré persiste après avoir contrôlé tous les éléments de la liste, adressez-vous au service après-vente d'un revendeur près de chez vous.

Symptôme	Cause	Solution
L'appareil ne s'allume pas.	Le contact du véhicule n'est pas mis.	Si l'alimentation est raccordée correctement aux circuits auxiliaires du véhicule, mettez la clé de contact en position « ACC »
	Le fusible a sauté.	Remplacez le fusible.
Il n'est pas possible de charger de disque ou le disque ne peut être éjecté.	Un disque se trouve déjà dans le lecteur.	Retirez le disque du lecteur, puis introduisez-en un nouveau.
	Le disque est introduit incorrectement.	Introduisez le disque l'étiquette imprimée vers le haut.
	Le disque est très sale ou il est défectueux.	Nettoyez le disque ou essayez un autre.
	La température du véhicule est trop élevée.	Mettez la climatisation en route ou attendez que la température ambiante redescende.
	Condensation	Laissez le lecteur éteint pendant une heure, puis réessayez.
Il n'y a pas de son.	Le volume est au minimum.	Réglez le volume au niveau approprié.
	Les câbles ne sont pas raccordés correctement.	Vérifiez le câblage.
Le son saute.	L'angle d'installation est supérieur à 30 degrés.	Montez l'appareil selon un angle de moins de 30 degrés.
	Le disque est très sale ou il est défectueux.	Nettoyez le disque, puis essayez un nouveau.
Les touches et les boutons ne fonctionnent pas.	Le microprocesseur intégré ne fonctionne pas correctement, probablement en raison de parasites.	Appuyez sur le bouton RESET. Le panneau avant n'est pas fixé correctement.
La radio ne fonctionne pas.	Le câble de l'antenne n'est pas raccordé.	Enfoncez fermement le câble de l'antenne.
	Les signaux sont trop faibles.	Sélectionnez une station manuellement.



1. LAUTSTÄRKETASTEN
2. TASTE SEL (Lautstärke / Bass / Höhen / Balance / Überblender)
4. BEDIENTEIL-ENTRIEGELTASTE
5. ABSCHALT-TASTE
6. AMS (MP3)-TASTE
7. AF-TASTE
8. TA-TASTE
9. STROM-AN/AUS-TASTE
10. TASTE TUNE / SEEK / TRACK FORWARD
11. PTY-TASTE
12. TASTE TUNE / SEEK / TRACK REVERSE
13. WELLENBEREICHSTASTE (BND/ID3)
- 14./15./17/18/19/20 SENDERVOREINSTELLUNGSTASTEN (1-6)
16. DISPLAY-TASTE
17. TASTE RANDOM
18. RPT-TASTE
19. INT-TASTE
20. TASTE PAUSE
21. MODUSTASTE
22. RÜCKSTELLUNGSTASTE
23. DISC-AUSWURF

SPEZIFIKATIONEN

ALLGEMEINES

Stromversorgung	DC 12V
Polung	Negativ Erde
Lautsprecher-Impedanz	4-8 Ohm
Ausgangsleistung	4 x 55 W

CD-DECK

System	CD-Digitalaudiosystem
Verwendbare CDs:	CD
Abtastfrequenz	44,1 kHz
Anzahl Quantisierungsbits	16 bit
Frequenzgang	20 Hz bis 20 kHz
Kanalzahl	2 Stereo
Rauschabstand	>60dB

RADIO-TEIL

FM

Frequenzbereich	87,5 bis 108 MHz
Nutzbare Empfindlichkeit	Besser als 12dB bei Rauschabstand 30dB
Stereotrennung	30dB bei 1 kHz
Rauschabstand	45dB

AM/MW

Frequenzbereich	522-1620 KHz
Zwischenfrequenz	450 kHz
Nutzbare Empfindlichkeit	Besser als 38dB bei Rauschabstand 30dB
Rauschabstand	35dB

BEACHTUNG:

Änderungen der Spezifikationen ohne vorherige Benachrichtigung möglich.

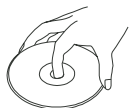
DISC PLAY

VORSICHTSMASSNAHMEN

- Ausschließlich mit 12-Volt-Gleichstrom und negativer Masseverbindung verwenden.
- Demontieren Sie vor Arbeiten am Fahrzeug die positive Klemme der Fahrzeugbatterie.
- Achten Sie beim Auswechseln der Sicherung darauf, dass die neue Sicherung über die gleiche Stromleistung verfügt, die Verwendung einer Sicherung mit einer höheren Stromleistung kann zu schwerwiegenden Schäden am Gerät führen.
- Versuchen Sie UNTER KEINEN UMSTÄNDEN das Gerät zu öffnen. Die Laserstrahlen des optischen Tonabnehmers können zu schwerwiegenden Augenschäden führen.
- Stellen Sie sicher, dass keine Stifte oder andere Gegenstände ins Innere des Gerätes gelangen. Sie können zu Fehlfunktionen oder Sicherheitsrisiken, wie Stromschläge oder der Bloßstellung der Laserstrahlen führen.
- Wenn das Fahrzeug längere Zeit bei heißem oder kaltem Wetter im Freien abgestellt war, sollte mit dem Betrieb des Geräts zugewartet werden, bis die Temperatur sich im inneren des Fahrzeuges normalisiert hat.
- Die Lautstärke muss auf einen Pegel beschränkt werden, dass Warngeräusche von außen (Polizei, Sanität usw.) noch hörbar sind.

CD-Hinweise

- Die Wiedergabe defekter oder staubiger CDs kann zu Tonaussetzer führen.
 - Die CDs wie abgebildet halten.
 - Die unetikettierte Seite nicht mit blossen Händen berühren.
 - Befestigen Sie KEINE Aufkleber, Etiketten oder Datenschutzhüllen auf der Disc.
 - Setzen Sie die CD NICHT der direkten Sonneneinstrahlung oder übermäßiger Hitze aus.
 - Reiben Sie eine verschmutzte CD von der Mitte nach außen mit einem Reinigungstuch ab.
 - Verwenden Sie niemals Lösungsmittel, wie Benzin oder Alkohol.
 - Mit diesem Gerät können keine 8-cm-CD's abgespielt werden.
 - Legen Sie NIEMALS eine 8-cm-CD mit Adapter oder eine verformte CD ein.
- Es ist möglich, dass sich diese CD's im Gerät verklemmen, nicht mehr ausgeworfen werden können und das Gerät beschädigen.

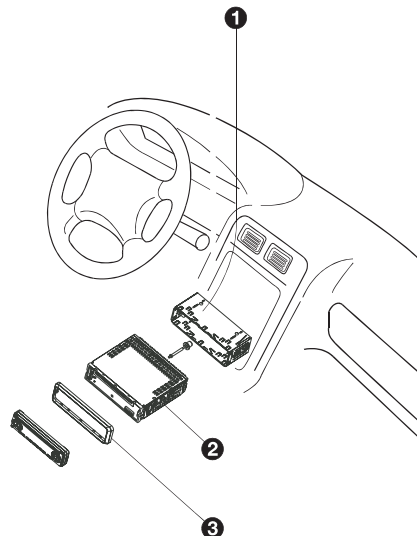


Vor dem Betrieb

- Den Lautstärkepegel NICHT zu hoch einstellen, Geräusche von aussen, (Polizei Sanität ect.) müssen auf jeden Fall noch hörbar sein
- Bedienungen am Gerät die vom Verkehr ablenken, dürfen nur bei stehendem Fahrzeug ausgeführt werden.

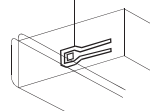
VORSICHT

Abdeckungen NICHT öffnen. Eingriffe oder Reparaturen dürfen nur von ausgebildeten techniker ausgeführt werden. Wenden Sie sich daher bei einem Schadenfall an einen autorisierten Händler oder eine Servicestelle. Unbefugtes öffnen hat den Verlust der Garantieleistung zur Folge



CALIBER
ALUMINUM TECHNOLOGIES

lock lever ()



1. Die Montageeinfassung in das Armaturenbrett einführen und die Montageklammern mit einem Schraubenzieher spreizen. Sicherstellen, dass der Sperrhebel mit der Montageeinfassung bündig ist. (nicht nach außen herausragt)
2. Den hinteren Teil des Gerätes sichern.
Nach der Befestigung der Befestigungsschraube und des Stromanschlusses, befestigen Sie den hinteren Teil des Gerätes mit dem Gummipolster an der Karosserie.
3. Die Zierleiste anbringen.

Dieses Gerät ist mit einer motorisierten, abnehmbaren Frontblende zum Herunterschieben ausgestattet. Um Diebstähle zu vermeiden kann die Frontblende abgenommen und mitgenommen werden.

Frontblende entfernen

1. H23 zum Herunterschieben der Frontblende eindrücken.
 2. Die PVR-Taste zum Ausschalten des Gerätes länger als 2 Sekunden eingedrückt halten.
 3. Den linken Teil der Frontblende ein wenig herausziehen, dann die Frontblende von rechts herausziehen.
- Später wird sich die Blendenunterlage automatisch einziehen. 4. Sanft auf die Blendenetui-Taste drücken, um den Deckel zu öffnen.

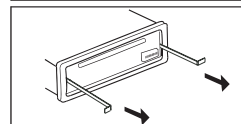
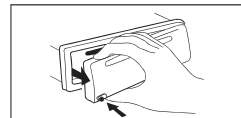
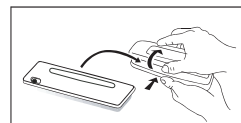
Die Frontblende in das Etui legen und beim verlassen des Fahrzeuges mitnehmen.

Anbringen der Frontblende

1. Die Frontblende im Geräteschlitz anbringen.
2. Die Frontblende eindrücken bis sie in die Halterung einrastet.

Das Gerät entfernen

1. Die Frontblende und die Zierleiste entfernen.
2. Die beiden T-Schlüssel in die Öffnung auf der Vorderseite des Satzes einführen bis sie festsitzen.
3. Das Gerät herausziehen.



5. GRUNDLEGENDE BEDIENUNG

4) BEDIENTEIL-ENTRIEGELTASTE

Drücken Sie diese Taste, um das Bedienteil abzunehmen.

9) STROM-AN/AUS-TASTE

Drücken Sie die POWER- oder irgendeine andere Taste (außer Open/Eject), um das Gerät einzuschalten. Drücken Sie erneut die POWER-Taste, um das Gerät auszuschalten.

21) MODUS-TASTE (MODE)

Drücken Sie die MODE-Taste, um in eine andere Betriebsart zu wechseln, die auf der Anzeige wiedergegeben wird.

Die Betriebsarten sind der UKW-Tuner und CD-Deck (MP3/WMA)-Modus.

5) ABSCHALTTASTE (MUTE)

Drücken Sie die Mute-Taste, um die Lautstärke sofort auszuschalten und "Mute on" wird angezeigt. Drücken Sie die Mute-Taste erneut, um wieder zur ursprünglichen Lautstärke zurückzukehren.

1) LAUTSTÄRKEKNOPF

Um lauter zu stellen, drehen Sie den Drehknopf im Uhrzeigersinn, um leiser zu stellen, drehen Sie den Drehknopf entgegen dem Uhrzeigersinn.

2) SEL-AUSWAHLTASTE (SEL)

Drücken Sie die SEL-Auswahltaste, auf der Anzeige erscheinen nacheinander die Lautstärke, Tiefen, Höhen, Balance, Fader und wieder Lautstärke.

Der Einstellmodus für die Audio-Funktionen wird nach 5 Sekunden Inaktivität automatisch verlassen. Drücken Sie die Lautstärketasten zum Einstellen.

Drücken Sie die Taste SEL für mindestens 3 Sekunden. Das Display zeigt nacheinander die folgenden Funktionen an: TA SEEK oder ALARM, MASK DPI oder ALL, RETUNE L oder S, DSP, LOUD OFF/ON, ESP 12/45, MULTI ON/OFF, BEEP ON/OFF, SEEK 1/2, STEREO/MONO, DX/LOCAL.

TA SEEK oder ALARM

Wählen Sie mit der Lautstärkekнопf die Modi TA ALARM oder TA SEEK. Wenn TA eingeschaltet ist und kein Verkehrsfunk-Kennungscode während der angegebenen Zeit eingegangen ist, wird kein TA/TP angezeigt und entsprechend dem MENU SELECT, ist der Alarm ausgeschaltet oder TA SEEK ist aktiviert.

TA ALARM Modus: NO TA/TP wird angezeigt und der Alarm ist ausgeschaltet.

TA SEEK Modus: TA SEEK ist aktiviert.

MASK DPI oder ALL

Wählen Sie mit der Lautstärkekнопf die Modi MASK DPI oder MASK ALL. MASK DPI Modus: Nur die AF, die eine unterschiedliche Programmbezeichnung hat, wird maskiert. MASK ALL Modus: Die AF, die eine unterschiedliche Programmbezeichnung und KEIN RDS Signal

mit hoher Feldstärke hat, wird maskiert.

RETUNE L oder S

Die Startzeit der automatischen Suche TA oder des Suchmodus PI ist ausgewählt. Wenn die PI-Information nicht zur Umstimmzeit empfangen wird, startet das Radio mit dem Umstimmen auf die nächste, selbe PI-Station.

Wenn dieselbe PI-Station nicht nach einem Suchzyklus empfangen wird, startet das Radio mit dem Neueinstellen auf die nächste, gleich PI-Station.

Modus RETUNE L: Als 90 Sekunden ausgewählt

Modus RETUNE S: Als 30 Sekunden ausgewählt

MODUS DSP

Drehen Sie den Knopf, um den Klangeffekt DSP auszuwählen.

POP > ROCK > CLASSIC > FLAT > DSP OFF

LAUT AUS/EIN

Verstärken Sie die Bassausgabe. Nutzen Sie die Lautstärkekнопf um zwischen LOUD ON und LOUD OFF zu wechseln.

Unterstützt Mix-CDs und One-Session-CDs

Unterstützt gemischte, extra Multi-Session-CDs

ESP 12/45 (Elektronischer Schockschutz)

Nutzen Sie die Lautstärkekнопf, um zwischen ESP 12 und ESP 45 zu wechseln.

ESP 12: 12 Sekunden Zwischenspeicherkapazität

ESP 45: 45 Sekunden Zwischenspeicherkapazität

MULTI SESSION

Nutzen Sie die Lautstärkekнопf, um zwischen MULTI ON und MULTI OFF zu wechseln.

SIGNAL AN/AUS

Nutzen Sie die Lautstärkekнопf, um zwischen BEEP ON und BEEP OFF zu wechseln.

SEEK 1/2

Nutzen Sie die Lautstärkekнопf um zwischen SEEK 1 und SEEK 2 zu wechseln.

STEREO/MONO

Nutzen Sie die Lautstärkekнопf, um zwischen STEREO und MONO zu wechseln.

DX/LOCAL

Nutzen Sie die Lautstärkekнопf, um zwischen DX und LOCAL zu wechseln.

9) ANZEIGE (DISP)

Drücken der "DISP"-Taste wechselt zwischen den folgenden Modi:

Beim Empfang eines RDS-Senders:

Tuner Modus PS – FREQ – CLOCK – PTY

CD / MP3-Player-Modus CDP – CT – PS – FREQ – PTY

Beim Empfang eines Nicht-RDS-Senders

Tuner-Modus FREQ – NO CLOCK – NO PTY

CD / MP3-Player-Modus CDP – FREQ – CT – NO PTY

CT = Uhrzeit

UHRZEIT-EINSTELLUNGEN

Drücken Sie die Taste DISP länger als 1 Sekunde und Sie gelangen vom Uhrmodus in den Uhr-Einstellungsmodus. Das Display beginnt zu blinken. Mit den Lautstärkeknope können Sie die Uhrzeit ändern.

6. TUNER-BETRIEB

13) WELLENBEREICHSTASTE (BAND)

Drücken Sie BAND, um zwischen FM 1, FM 2, FM 3, MW 1 und MW 2 zu wechseln.

10-12) ABSTIMMUNGSTASTE

Manuelle Sendersuche

Drücken Sie für mehr als 3 Sekunden die Abstimmungstasten zur Änderung der Frequenz.

Automatische Sendersuche

Drücken Sie für weniger als 3 Sekunden die Abstimmungstasten, um automatisch zum nächsten Sender zu wechseln.

14-15-17-18-19-20) SENDERSPEICHER

Für jeden Wellenbereich können sechs Sender eingespeichert werden (3FM/2MW).

Sender einspeichern

Wählen Sie den Wellenbereich (sofern erforderlich) und dann einen Sender. Halten Sie die Taste, unter der Sie den Sender abspeichern wollen, für 3 Sekunden gedrückt. Die Speichernummer wird angezeigt.

Aufruf eines Senders

Wählen Sie einen Wellenbereich (sofern erforderlich). Drücken Sie eine Sendertaste, der gespeicherte Sender wird aufgerufen.

4) AUTOMATISCHE SPEICHERUNG/ EINSTELLUNGSSCAN (AMS) TASTE

Automatische Speicherung

Diese Funktion wählt automatisch 6 starke Sender des gerade gewählten Wellenbereichs und speichert diese. Wählen Sie einen Wellenbereich (sofern erforderlich). Drücken Sie die AMS-Taste für mehr als 3 Sekunden. Die neuen Sender überschreiben die alten in diesem Wellenbereich.

Einstellungsscan

Scannen die im aktuellen Wellenbereich gespeicherten Sender. Wählen Sie einen Wellenbereich (sofern erforderlich). Drücken Sie die AMS-Taste für mehr als 3 Sekunden. Das Gerät verweilt für jeweils zehn Sekunden bei jedem eingestellten Sender. Drücken Sie bei dem gewünschten Sender erneut die AMS-Taste.

Stereo

Sofern verfügbar wählt das Gerät automatisch das Stereosignal.

7. BETRIEB DES CD-DECKS

21) EINLEGEN UND AUSWERFEN EINER CD

Schieben Sie eine CD mit der Aufschrift nach oben in das angeschaltete Gerät, es beginnt die Wiedergabe der CD. Drücken Sie die Taste Eject, um die Wiedergabe anzuhalten und die CD auszuwerfen. Zum Auswerfen der CD muss das Gerät nicht eingeschaltet werden.

20) PAUSE (PAU)

Drücken Sie die Pause-Taste, um die Wiedergabe zu unterbrechen. Drücken Sie die Pause-Taste erneut, um die Wiedergabe fortzusetzen.

10-12) TITELAUSWAHL

Drücken Sie die TASTE TUNE/SEEK/TRACK FORWARD oder TASTE TUNE/SEEK/TRACK REVERSE für weniger als eine Sekunde, um zum nächsten bzw. vorigen Titel auf der CD zu wechseln. Die gewählte Titelnummer wird angezeigt. Drücken Sie die TASTE TUNE/SEEK/TRACK FORWARD oder TASTE TUNE/SEEK/TRACK REVERSE für mehr als eine Sekunde für den schnellen Vor- bzw. Rücklauf.

18) WIEDERGABEWIEDERHOLUNG (RPT)

Drücken Sie die REPEAT-TASTE (RPT) während der Wiedergabe der CD, um die Titel der CD in zufälliger Reihenfolge wiederzugeben. Erneutes Drücken der REPEAT-TASTE (RPT) beendet die zufällige Wiedergabe.

17) ZUFALLSWIEDERGABE (RDM)

Drücken Sie die RANDOM-TASTE (RDM) während der Wiedergabe der CD, um die Titel der CD in zufälliger Reihenfolge wiederzugeben. Erneutes Drücken der RANDOM-TASTE (RDM) beendet die zufällige Wiedergabe.

19) ANSPIELFUNKTION (INT)

Während der CD-Wiedergabe können Sie die INTRO SCAN Taste (INT) drücken, um die jeweils ersten 10 Sekunden der CD-Titel wiederzugeben. Ist der gewünschte Titel erreicht, drücken Sie erneut die Taste INTRO SCAN (INT), um das Scannen zu beenden und den ausgewählten Titel zu spielen.

CD TEXT

Das Gerät kann die ersten 8 Zeichen von Album- und Künstlernamen anzeigen. Ist die gespeicherte Information länger als 8 Zeichen, dann scrollt der Text von rechts nach links.

RDS-FUNKTIONEN

Das Gerät verfügt über die folgenden RDS-Funktionen:

- AF - Alternativfrequenzen
- CT - Uhrzeit
- EON - Erweitertes Netz anderer Sender
- PI - Programmidentifikationen
- PS - Programmidentname
- PTY - Programmart
- REG - Regionalwechsel
- TA - Verkehrsdurchsage
- TP - Verkehrsprogramm

8. RDS-BETRIEB

1. AF-Funktion

Drücken Sie die AF-Taste weniger als 3 Sekunden, um AF an- oder auszuschalten. Ist AF eingeschaltet ("On"), dann sucht das Gerät bei schwächer werdendem Signal des eingestellten Senders automatisch eine andere Frequenz im selben Netz mit stärkerem Signal.

Drücken Sie die Taste AF länger als 3 Sekunden, um REGIONAL MODE ON/OFF zu wählen.

Regionalmodus an (REG ON): AF-Umschaltung oder PI SEEK wird in der Station vollzogen, welche alle PI-Codes der laufenden Station hat. REG des Einzelsegments wird eingeschaltet. Hinzu wird "REG ON" auf dem numerischen Display für einige Sekunden angezeigt.

Regionalmodus aus (REG OFF): Der Regionalcode im Format des PI-Codes wird ignoriert, wenn die AF-Umschaltung oder PI SEEK vollzogen wird. REG des Einzelsegments wird ausgeschaltet. Hinzu wird "REG OFF" auf dem numerischen Display für einige Sekunden angezeigt. Wenn der Regionalmodus ausgeschaltet ist, kann das Radio von einem nationalen Sender zu einer lokalen Variante des Programms oder von einem örtlichen Sender zu einem örtlichen Sender einer anderen Gegend wechseln. Schalten Sie den Regionalmodus ein, wenn Sie nicht zu einem örtlichen Sender wechseln wollen. Das Radio wechselt nur zu AF, wenn dort dasselbe Programm ausgestrahlt wird.

2. Funktion TA

Drücken Sie die Taste TA, um TA ein- oder auszuschalten. Wenn der Modus TA aktiv ist, wird auf dem Display eine Anzeige für TA angezeigt. So erhält die Wiedergabe dieser Durchsage die oberste Priorität, ungeachtet der gerade eingeschalteten Funktion. Das Gerät wechselt in den vorherigen Modus und TA in den Bereitschaftsstand.

TA-Lautstärke

Die TA-Lautstärke beginnt automatisch bei 20. Wenn die Lautstärke niedriger als 20 beträgt, wird sie automatisch auf 20 angehoben. Die Lautstärke kehrt zum vorherigen Modus und zur vorherigen Lautstärke zurück, wenn der Verkehrsfunk vorbei ist.

3. PTY-Funktion

Drücken Sie für weniger als 3 Sekunden die PTY-Taste, um in den PTY-Modus zu wechseln. Das "PTY"-Ikon wird angezeigt. Innerhalb von 5 Sekunden kann nun die gewünschte PTY-Senderart durch Drücken der sendervoreinstellungstasten (1~6) gewählt werden. Das Gerät sucht dann automatisch. Wird kein Sender mit der gewählten PTY-Art empfangen, dann blinkt "No PTY" für 5 Sekunden, und das Gerät kehrt in den vorherigen Modus zurück.

Die 2 Programmtypen sind Sprache und Musik. Drücken Sie PTY einmal. MUSIC ist ausgewählt. Drücken Sie ein zweites Mal PTY, um SPEECH auszuwählen. Die Tasten 1~6 Können zur Auswahl des gewünschten Programmtyps benutzt werden.

Musikgruppe

- POP, ROCK
- EASY (Unterhaltungsmusik), LIGHT (leichte klassische Musik)
- JAZZ, COUNTRY

- CLASSICS (Ernste klassische Musik)
- NATION (Musik des Landes), OLDIES
- FOLK (Folklore)

Sprachgruppe

- NEWS, AFFAIRS (Politik und Zeitgeschehen), INFO (Serviceprogramm)
- SPORT, EDUCATE (Lernen und Weiterbildung), DRAMA (Hörspiel und Literatur)
- WEATHER (Wetter), FINANCE (Wirtschaft), CHILDREN (Kinderprogramm)
- CULTURE (Kultur, Kirche und Gesellschaft), SCIENCE (Wissenschaft), VARIED (Unterhaltendes Wort)
- SOCIAL (Soziales), RELIGION, PHONE IN (Anrufsendung)
- TRAVEL (Reiseinformation), LEISURE (Freizeit), DOCUMENT (Feature)

Hinweis: Die Fabrikseinstellungen der PTY-Speichertasten sind: M1/News, M2/Information, M3/Pop Music, M4/Sports, M5/Classics, M6/Finance.

9. MP3-Funktion

Auswahl von MP3-Dateien

1. Titel suchen

- Drücken Sie "AMS" einmal und die Suche ist aktiviert.
- Mit der Taste SEL (2) können Sie die Ziffern wählen.
- Mit den lautstärkekноп (1) können Sie Titelnummern von 1-999 anwählen.
- Drücken Sie die Taste SEL länger als eine halbe Sekunde. Der Titel, den Sie ausgewählt haben, wird wiedergegeben.

2. Dateinamensuche

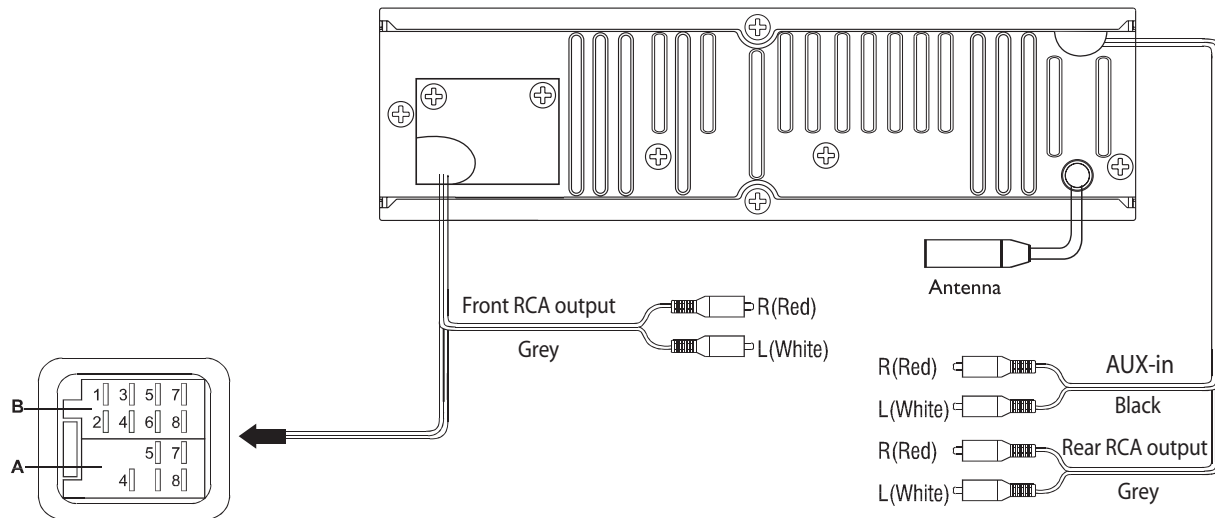
- Drücken Sie "AMS" zweimal, die Dateisuche ist aktiviert.
- Drücken Sie "SEL", das erste Verzeichnis wird angezeigt.
- Wählen Sie mit dem lautstärkekноп das gewünschte Verzeichnis.
- Drücken Sie erneut "SEL", das Verzeichnis ist nun eingestellt, der erste Dateiname erscheint.
- Wählen Sie die gewünschte Datei mit dem lautstärkekноп aus.
- Drücken Sie "SEL" und der ausgewählte Titel wird abgespielt.

3. Titelnamen suchen

- Drücken Sie "AMS" einmal. Die Suche nach Titelnamen ist aktiviert.
- Drücken Sie die Taste "SEL". Der Buchstabe "A" wird an der ersten Stelle auf dem Display angezeigt.
- Mit den lautstärkekноп (1) können Sie den gewünschten Buchstaben auswählen.
- Drücken Sie die Taste "SEL". Der Buchstabe "A" wird an der zweiten Stelle auf dem Display angezeigt.
- Mit den lautstärkekноп (1) können Sie den gewünschten Buchstaben auswählen.
- Drücken Sie die Taste „AUDIO“. Der Titel, den Sie ausgewählt haben, wird wiedergegeben.

Gewählter Titel

Drücken Sie während des MP3-Betriebs die Taste 5, um 10 Titel rückwärts zu überspringen. Drücken Sie die Taste 6, um 10 Titel vorwärts zu überspringen.



STELLE	FUNKTION	
	A	B
1		Hinten rechts (+)
2		Hinten rechts (-)
3		Vorne rechts (+)
4	Batterie 12V(+)	Vorne rechts (-)
5	Antenne	Vorne links (+)
6		Vorne links (-)
7	ACC+	Hinten links (+)
8	Ground	Hinten links (-)

STÖRUNGSBEHEBUNG

Ehe Sie die Checkliste durchgehen, überprüfen Sie die Verkabelung.

Sollte eines der Probleme nach Konsultieren der Checkliste nicht behoben sein, kontaktieren Sie Ihren Händler.

Symptom	Ursache	Lösung
Kein Strom	Der Zündschlüssel wurde nicht gedreht	Wenn die Stromzufuhr richtig mit dem entsprechenden Anschluss des Autos verbunden ist, drehen Sie den Zündschlüssel in die Position "ACC"
	Die Sicherung ist herausgegangen	Ersetzen Sie die Sicherung
CD lädt nicht oder wird nicht ausgeworfen	Position der CD im Player	Entfernen Sie die CD aus dem Player und legen Sie eine neue ein
	CD falsch herum eingelegt	Legen Sie die CD mit der Beschriftung nach oben ein
	Die CD ist sehr verschmutzt oder fehlerhaft	Reinigen Sie die CD oder versuchen Sie, eine neue abzuspielen
	Temperatur im Auto ist zu hoch	Kühlen oder abwarten, bis sich die Innentemperatur normalisiert hat
Kein Ton	Kondensation	Lassen Sie den Player für eine Stunde aus und versuchen Sie es dann erneut
	Lautstärke ist auf Minimum eingestellt	Stellen Sie die Lautstärke auf den gewünschten Pegel
Ton springt	Verkabelung wurde nicht richtig durchgeführt	Überprüfen Sie die Verkabelung
	Der Installationswinkel beträgt mehr als 30 Grad	Passen Sie den Installationswinkel so an, dass er weniger als 30 Grad beträgt
Die Bedienungsknöpfe funktionieren nicht	Die CD ist sehr verschmutzt oder fehlerhaft	Reinigen Sie die CD; versuchen Sie, eine neue spielen zu lassen
	Der eingebaute Microcomputer funktioniert nicht richtig aufgrund Geräuschkulisse	Drücken Sie den RESET-Knopf. Frontplatte ist nicht richtig eingesetzt
Das Radio funktioniert nicht	Das Antennenkabel ist nicht angeschlossen	Stecken Sie das Antennenkabel richtig ein
	Die Signale sind zu schwach	Wählen Sie eine Station von Hand aus