

1. PANEL RELEASE BUTTON
2. MUTE BUTTON
3. AF BUTTON
4. TA BUTTON
5. PTY BUTTON
6. DISC EJECT
7. POWER BUTTON
8. ROTARY VOLUME KNOB  
AUDIO SELECT BUTTON/ MP3 FILE SEARCH
9. MODE BUTTON
10. AUTOMATICALLY STORE/PRESET SCAN (AS/PS)/MENU BUTTON
11. PRESET STATIONS BUTTONS (1-6)
12. PAUSE BUTTON
13. SCAN BUTTON
14. REPEAT BUTTON
15. SHUFFLE (RANDOM) BUTTON
16. PREVIOUS FOLDER BUTTON
17. NEXT FOLDER BUTTON
18. AUX IN JACK
19. BAND/LOUD/MP3 ENTER BUTTON
20. TUNING UP/DOWN, TRACK UP/DOWN BUTTONS
21. DISPLAY BUTTON/ MP3 ID3 BUTTON
22. RESET BUTTON

## SPECIFICATIONS

### GENERAL

Power Supply	DC 11 -14V
Polarity	Negative Ground
Speaker impedance	4 ohms
Power Output	4 x 55W

### CD PLAYER

System	Compact disc audio system
Usable disc	Compact disc
Sampling frequency	44.1KHz
No of quantization bits	1bit
Frequency	5-20,000Hz
Number of channels	2 stereo
S/N Ratio	70dB

## RADIO SECTION

### FM

Frequency Range	87.5-108 Mhz
Usable Sensitivity	Better than 15dB at S/N 30 dB
Stereo Separation	25 dB at 1KHz
S/N Ratio	50 dB

### AM/MW

Frequency Range	522-1620 KHz
Intermediate Frequency	450KHz
Usable Sensitivity	Better than 45dB
S/N Ratio	40 dB

### REMARK :

Specifications subject to change without notice.

**DISC PLAY****PRECAUTIONS**

- Use only in a 12-volt DC negative-ground electrical system.
- Disconnect the vehicle's negative battery terminal while mounting and connecting the unit.
- When replacing the fuse, be sure to use one with an identical amperage rating.
- Using a fuse with a higher amperage rating may cause serious damage to the unit.
- DO NOT attempt to disassemble the unit. Laser beams from the optical pickup are dangerous to the eyes.
- Make sure that pins or other objects do not get inside the unit; they may cause malfunctions, or create safety hazards such as electrical shock or laser beam exposure.
- If you have parked the car for a long time in hot or cold weather; wait until the temperature in the car become normal before operating the unit.
- Keep the volume at a level at which you can hear outside warning sounds (horns sirens, etc.).

**CD NOTES**

- Playing a defective or dusty CD can cause dropouts in sound.
- Hold CDs as illustrated.
- DO NOT touch the unlabeled side.
- DO NOT attach any seal, label or data protection sheet to either side of a disc.
- DO NOT expose a CD to direct sunlight or excessive heat.
- Wipe a dirty CD from the center outward with a cleaning cloth.
- Never use solvents such as benzine or alcohol.
- This unit cannot play 3-inch ( 8cm ) CDs.
- NEVER insert a 3-inch CD contained in the adapter or an irregularly shaped CD.
- The unit may not be able to eject it, resulting in a malfunction.

**BEFORE OPERATION**

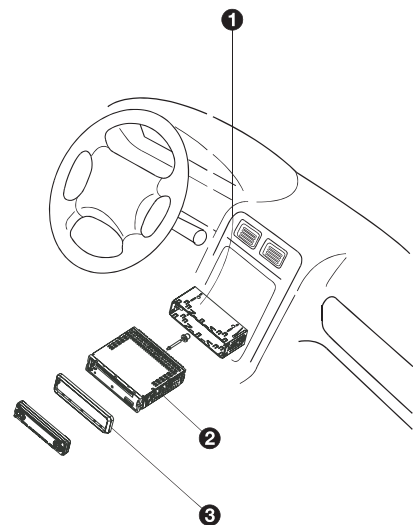
- DO NOT raise the volume level too much, as this will block outside sounds, making driving dangerous.
- Stop the car before performing any complicated operation.

**CAUTION**

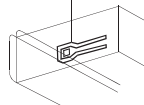
DO NOT open covers and do not repair by yourself. Consult the dealer or an experienced technician for help.

**Installation procedures**

First complete the electrical connections, and then check them for correctness.



lock lever ( )



1. Insert mounting bracket into the dashboard, and bend the mounting tabs out with a screwdriver. (Make sure that lock lever is flush with the mounting bracket. Not projecting outward)
2. Secure the rear of the unit After fixing mounting bolt and power connector, fix the rear of the unit to the car body by rubber cushion.
3. Insert trimplate

**Anti-Theft System**

This unit is equipped with a detachable panel. Removing this panel makes the radio totally inoperable.

**Removing the panel**

1. Switch off the power of the unit.
2. Remove the detachable panel (REL button).
3. Gently press the button of the case and open the cover. Place the panel into the case and take it with you when you leave the car.

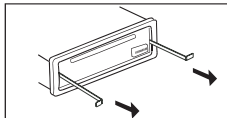
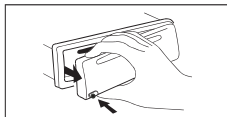
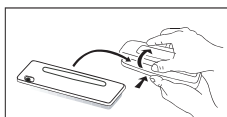
**Install detachable panel**

1. Fix right part of face plate in the right part of panel slot of the unit.
2. Press down the left side of the face plate until it clicks into the panel slot of the unit.

**Remove the unit**

Switch of the power of the unit.

1. Remove the panel and the trim plate.
2. Insert both T-Keys into hole in front of the set until they lock.
3. Pull out the unit.

**BASIC OPERATIONS****ON/OFF**

Switch on the unit by pressing POWER button(7) or any other button on the radio (except eject) when system is on, press POWER button(7) to turn off the unit.

**FACEPANEL RELEASE**

Press REL button (1) to remove the facepanel.

**SOUND ADJUSTMENT**

Press button (8) volume knob to enter the sound set up, the sound set up will change in the following order Volume, Bass, Treble, Balance, Fader and back to Volume.

Press button (19) "BAND/LOUDNESS" longer then 3 seconds then Loudness will be activated or deactivated.

Press the button (2) "MUTE" momentarily to mute the audio volume, and "Mute" will flash in the display. Press the mute button again to restore volume to the previous setting.

**SOURCE**

Press button (9) "MODE" to switch between disc, radio and Aux-in.

**DISPLAY**

Press button (21) "DISPLAY/MENU" repeatedly to select the following different Display options:

Clock -> Programme Type (PTY) -> Frequency of the station

**AUX-IN JACK**

Connect the external signal to AUX in jack (18) on the frontpanel. Press button (9) "MODE" to select AUX mode. Press button (9) again to cancel AUX mode and return to previous mode.

**MENU OPERATIONS**

Press button (8) "VOLUME KNOB" longer then 3 seconds, the display will be displayed as cyclical mode of following functions: TA SEEK or ALARM, PI SOUND or MUTE, RETUNE L or S, MASK DPI or ALL, BEEP 2'nd and ALL or OFF.

**TA SEEK or ALARM**

Rotate the knob to choose TA ALARM or TA SEEK mode, When TA is turned on and no traffic program identification code has been received during the specified time, no TA/TP is displayed and according to the MENU SELECT, alarm is set off, or TA SEEK is activated. TA ALARM mode: NO TA/TP is displayed and alarm is set off. TA SEEK mode: TA SEEK is activated.

**PI SOUND or MUTE**

PI SOUND: When above different PI sound (DIP) is heard once in a while, the DIP's sound will be heard for less than 1 second.

PI MUTE: When above different PI sound (DIP) is heard once in a while, a mute sound will be heard for less than 1 second.

**RETUNE L or S**

The initial time of automatic TA search or PI search mode is selected. When PI information is not caught for retune time, the radio start to retune to the next same PI station. When the same PI station does not catch 1 cyclic search, the radio start to retune to the next same PI station.

RETUNE L mode: Selected as 90 seconds

RETUNE S mode: Selected as 30 seconds

**MASK DPI or ALL**

Rotate the knob to choose MASK DPI or MASK ALL mode.

MASK DPI mode: Only the AF which has different program identification is masked.

MASK ALL mode: The AF which has different program identification and NO RDS signal with high field strength is masked.

**BEEPS 2ND, BEEP ALL, BEEP OFF**

You can rotate the volume knob to select the following options:

BEEP 2ND Beeps only when the second function of the dual function button is selected (long press).

BEEP ALL Beeps when any button is pressed.

BEEP OFF To disable the beep option.

**RADIO OPERATIONS****BAND SELECTION**

At tuner mode, press button (19) shortly to select the desired band. The reception band will change in the following order: FM1, FM2, FM3 and AM.

**STATION SELECTION**

Press up or down button (20) shortly to activate automatic seek function. Press for 2 seconds until "MANUAL" appeared on the display, the manual tuning Mode is selected. If the buttons are not touched for more then 3 seconds it automatic goes back to "AUTO SEEK".

**AUTOSTORE AS**

-Automatic Memory Storing

Press func button (10) "AS/PS" longer then three seconds, activate AS. The radio searches for the 6 strongest stations and stores them into the preset of the currently selected band.

**NOTE:** Any stations that were previously stored in this memory bank are replaced by a new station.

**PRESET SCAN PS**

Press func button (10) "AS/PS" for less then three seconds. The unit will pause for ten seconds at each preset station. Press button (10) "AS/PS" again to stop scanning when the desired station is reached.

**Station store and recall**

Press any one of the preset buttons (12 to 17) to recall a station which had been stored in the memory. Press a preset button for 2 seconds, previous preset station is overwritten by current tuned frequency.

**RADIO SIGNAL STRENGTH METER (RSLM)**

This function can be used to indicate the signal strength of current radio station broadcast. When you choose RADIO mode the display will show:



Best reception



Worst reception

**RDS (RADIO DATA SYSTEM) OPERATIONS**

The RDS data are the PI, PS, TP, PTY, TA, EON, CT and AF data.

PI: Program identification code

Code for identifying program

PS: Program service name

Broadcast station name data expressed

In alphanumeric character

TP: Traffic program identification

Identification data for traffic information broadcasting station

TA: Traffic announcement identification

Identification data showing traffic information is being transmitted or not

AF: Alternative frequencies

Frequency list of broadcasting station transmitting the same program

**SETTING AF MODE**

Press button (3) AF for less than three seconds to select AF to be ON or OFF. Whenever AF is switched on, symbol "AF" appears on the display. The tuner will return to Alternative Frequencies whenever the reception signals get worse. "ALARM" will be displayed when an emergency broadcasting is received; meanwhile sound output level will be adjusted to the preset output level automatically when the volume control is set at minimum.

Pressing TA button >3 seconds to select EONTA Local (EONTA LO)/EONTA distance (EONTA DX). The purpose of this key is to reduce unwanted EONTA switching, which EONTA information was received from current station and the radio switched to that EONTA linked station. So the radio is switched back to the current station again. In above operation, a customer listens to a wrong program or mute sound for a while.

**EONTA local mode:** The radio will not switch to another station when the file strength level of EONTA linked is less than threshold level.

**EONTA distance mode:** The radio is trying to be implemented by the information of current station.

**USING PTY TO SELECT PROGRAM**

The PTY function allows you to search for stations with a particular program type.

To select your program type, press the button (5) "PTY" less than three seconds.

Display will show: "PTY Music Group" -> "PTY Speech Group" -> "PTY off".

Now you can select the music type or speech type using preset keys 1 to 6 for your selection as listed table:

**Preset number**1  
2  
3  
4  
5  
6**PTY "music" group**pop m, rock m  
easy m, light m  
classics, other m  
jazz, country  
nation m, oldies  
folk m**PTY in "speech" group**news, affairs, info  
sport, education, drama  
culture, science, varied  
weather, finance, children  
social, religion, phone in  
travel, leisure, document

While selecting PTY engagement, its selection is implemented by preset button as described in notes. When PTY is selected, the radio starts to search corresponding PTY information. If corresponding PTY information is not found, normal radio reception is resumed. After the text "NON PTY" is at the display for 5 seconds.

**LISTENING TO TRAFFIC ANNOUNCEMENT**

Traffic announcement can interrupt CD play or radio listening when broadcast.

Briefly press the button (4) "TA" to select the TA mode on or off. When TA mode is on, you will hear the traffic announcement when broadcast. During traffic announcement, you can interrupt it by short press of TA button (4). Without switching off the TA mode. By doing so, the set will return to the previous operating mode. Long press on TA button (4) allows ON/OFF selection of EONTA LOCAL/EONTA DX. EONTA LOCAL will only allow traffic announcement from strong station to come through. EONTA DX selection will allow all received announcements to interrupt CD play or radio listening.

**CD OPERATIONS**

This CD player is suitable for 12cm disc, do not use irregular shaped CD.

**SELECT TRACKS**

During CD operations, press button (20) "▶▶" for next track. Press button (20) "◀◀" for previous track. Track number shows on display.

During CD operation, hold button (20) "▶▶" for fast forward. Hold button (20) "◀◀" for fast reverse. CD will start from when you release the button.

**PAUSE**

Press button (12) "⏸" to pause the CD player. Press it again to resume play.

**REPEAT THE SAME TRACK**

Press button (14) "RPT" to continuously repeat the same track. Press it again to stop repeat.

**SCAN TRACKS**

Press button (13) "SCN" to play first several seconds of each track of current CD. Press again to stop intro and listen to track.

**PLAY TRACKS IN SHUFFLE**

Press button (15) "SHF" to play all tracks on CD in random order. Press again to cancel the function.

**EJECT**

Press button (6) "▲" to stop playing and eject the CD.

**PLAYING A CD-R/RW**

Depending on the type of CD-R/RW CD, surface condition of the CD, as well as writer, certain CD-R/RW CD may not operate normally on this unit.

**MP3 FUNCTION****How to select MP3 files****1. SEARCHING TRACK**

By using volume knob. Rotate the volume knob to scroll through the numbers, then press MP3 enter button (19) to confirm.

**2. SEARCHING BY DIRECTORY AND TRACK NAME**

By using volume knob (8). Under MP3 play mode, press MP3 menu button (10) twice, the display shows "SR". Rotate the volume knob (8) for selecting the character. In this search mode, select button (8) use as move cursor. Press band/loud button (19) use as MP3 confirm button. The unit searches files and directories which have the same character which is inputted by the user. The unit shows these sorted files and directories by volume knob (8) (rotate anti-clockwise first). If the selected name is directory, the user can go into the selected directory by press MP3 confirm button (19) and continue to search the directory or file name in the directory by volume knob (8) (rotate anti-clockwise first). The selected file can be played by pressing MP3 enter button (19).

**3. SEARCHING FROM DIRECTORY**

By using volume knob (8). Under MP3 play mode, press MP3 menu button (10) three times, then the first directory name is shown. Rotate volume knob (8) (rotate anti-clockwise first) to navigate through the directory list, press MP3 enter button (19) to select the desired directory. The display will show "\". To select the tracks under the selected directory, by rotate volume knob (8) (rotate anti-clockwise first) then press MP3 enter button (19) to confirm when desired track is found.

**4. NAVIGATING THROUGH DIRECTORY BY USING PREVIOUS/NEXT FOLDER (M5/M6) BUTTONS**

Press next folder (M6) or previous folder (M5) buttons to skip in the current directory. On a multi-level directories CD, the movement will take place at the current level until last folder is reached. At this point press previous folder (5) again, it will move to the next level or directory.

**ID3 INFORMATION DISPLAY**

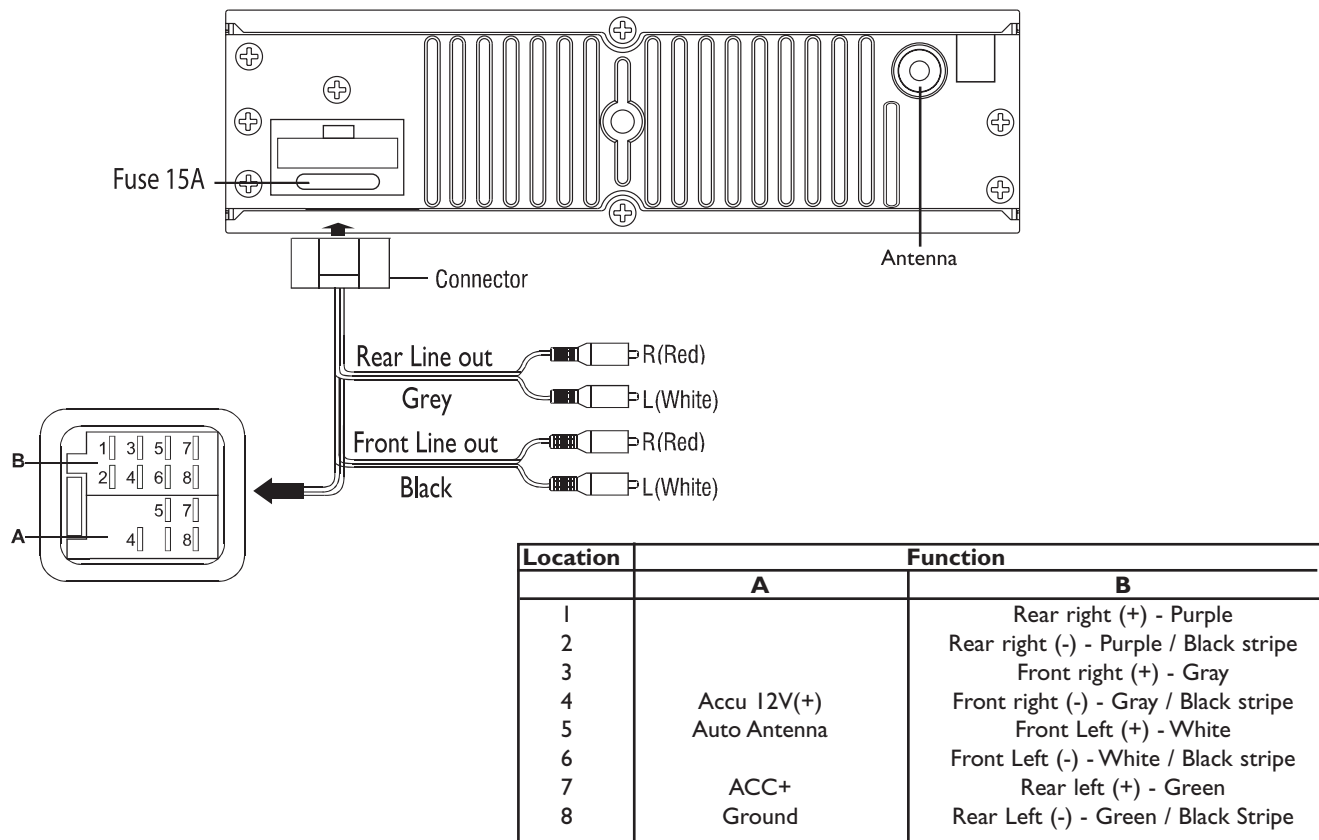
Press display button (21) repeatedly to display ID3 TAG information. If the MP3 file is available with ID3 TAG, pressing the display button (21) repeatedly will show information in the following sequence:

Song title -> Artist -> Album title -> Year -> Comments

If any of the ID3 TAG information is not available, pressing the display button repeatedly will show information in the following sequence:

Unknown Song title -> Unknown Artist -> No Album title -> Unknown Year -> No Comments

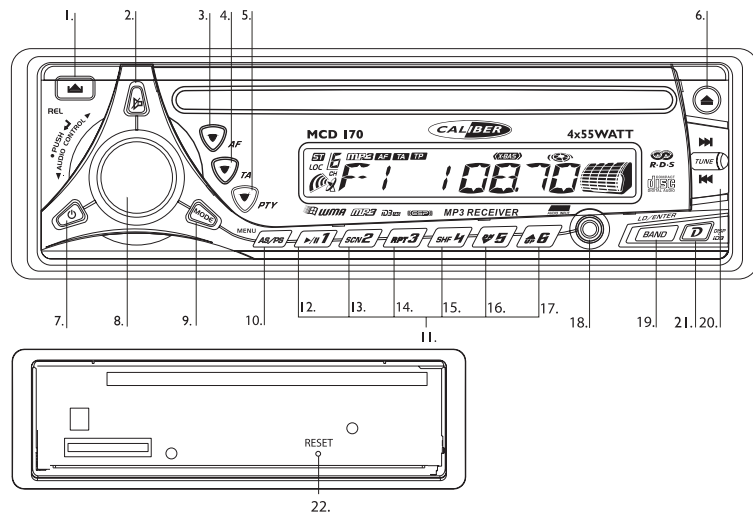
If the MP3 file is without ID3 TAG, pressing the display button (21), and "NO ID3 TAG" will be displayed on the display. The file name and track number of the MP3 file will scroll repeatedly through the display during the playing of the MP3 file.



**TROUBLESHOOTING**

Before going through the check list, check wiring connection. If any of the problems persist after check list has been made, consult your nearest service dealer.

Problem	Cause	Solution
No power	The car ignition switch is not on	If the power supply is properly connected to the car accessory terminal, switch the ignition key to "ACC"
	The fuse is blown	Replace the fuse
Disc cannot be loaded or ejected	Presence of disc inside the player	Remove the disc in the player, then insert a new one
	Inserting the disc in reverse direction	Insert the compact disc with the label facing upward
	The disc is extremely dirty or defective	Clean the disc or try to play a new one
	Temperature inside the car is too high	Cool off or until the ambient temperature returns to normal
No sound	Condensation	Leave the player off for an hour, then try again
	Volume is in minimum	Adjust volume to a desired level
Sound skips	Wiring is not properly connected	Check wiring connection
	The installation angle is more than 30 degrees	Adjust the installation angle less than 30 degrees
The operation keys do not work	The disc is extremely dirty or defective	Clean the compact disc, then try to play a new one
	The built-in microcomputer is not operating properly due to noise	Front panel is not properly fixed into its place Press the RESET button.
The radio does not work	The antenna cable is not connected	Insert the antenna cable firmly
	The signals are too weak	Select a station manually
Error 1	Mechanism error	Press the reset button to correct the problem. If the error code does not disappear, consult your nearest service dealer.
Error 2	Servo Focus error	Press the reset button to correct the problem. If the error code does not disappear, consult your nearest service dealer.



- CALIBER**  
AUDIO TECHNOLOGIES
1. TOUCHE DEBLOCAGE PANNEAU
  2. TOUCHE MUTE
  3. TOUCHE AUDIOFREQUENCE (AF)
  4. TOUCHE TA
  5. TOUCHE PTY
  6. DISC EJECT
  7. TOUCHE ALIMENTATION (POWER)
  8. BOUTON DE REGLAGE DE VOLUME
  9. TOUCHE DE SELECTION AUDIO/RECHERCHE DE FICHIERS MP3
  10. TOUCHE MODE
  11. TOUCHE MEMORISATION AUTOMATIQUE / BALAYAGE STATIONS PREREGLEES (AS/PS) TOUCHE BALISES MP3-ID3
  12. TOUCHES STATIONS PREREGLEES (1-6)
  13. BOTÓN PAUSE
  14. TOUCHE SCAN
  15. TOUCHE RPT
  16. BOTÓN SHUFFLE (RANDOM)
  17. BOUTON DOSSIER PRÉCÉDENT
  18. BOUTON DOSSIER SUIVANT
  19. ENTRÉES AUX. JACK
  20. TOUCHE GAMME (BAND/LOUD)/ENTREE MP3
  21. TOUCHES ACCORD HAUT/BAS, PLAGES SUIVANTE/PRECEDENTE
  22. TOUCHE ECRAN D’AFFICHAGE/TOUCHE MP3 ID3
  23. TOUCHE DE RÉINITIALISATION

## CARACTÉRISTIQUES

### GENERALITES

Alimentation électrique	DC 11 -14V
Polarité	Mise à la terre négative
Impédance haut-parleur	4 ohms
Puissance sortie	4 x 55W

### LECTEUR CD

Système	Système audio compact disc
Disque utilisable	Compact disc
Taux d'échantillonnage	44,1KHz
Nbre de bits de quantification	1 bit
Fréquence	5-20,000Hz
Nombre de canaux	2 stéréo
Rapport Signal sur Bruit	70 dB

### SECTION RADIO

<b>FM</b>	
Gamme de fréquences	87,5-108 Mhz
Sensibilité utilisable	Supérieure à 15dB à S/B 30 dB
Séparation stéréo	25 dB à 1KHz
Rapport Signal / Bruit	50 dB

### MW

Gamme de fréquences	522-1620 KHz
Fréquence intermédiaire	450KHz
Sensibilité utilisable	Supérieure à 45dB
Rapport Signal sur Bruit	40 dB

### REMARQUE :

Caractéristiques sous réserve de modifications sans préavis

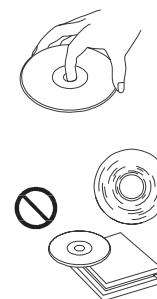
## DISC PLAY

### PRÉCAUTIONS

- N'utilisez que dans un système électrique 12 volts CD de polarité négative.
- Déconnectez la borne négative de la batterie du véhicule lors du montage et de la connexion de l'unité.
- Lors du remplacement du fusible, veillez à un fusible avec un ampérage identique. Utiliser un fusible avec un ampérage supérieur peut causer de graves dommages à l'unité.
- N'essayez PAS de démonter l'unité. Les rayons laser du capteur optique sont dangereux pour les yeux.
- Vérifiez que les broches ou autres objets ne pénètrent pas dans l'unité ; ils peuvent entraîner des dysfonctionnements, ou créer des risques pour la sécurité tels que des chocs électriques ou une exposition au rayon laser.
- Si vous avez parké la voiture pendant un long moment par temps froid ou chaud, attendez que la température dans la voiture redevienne normale avant de mettre l'unité en marche.
- Maintenez le volume à un niveau qui vous permet d'entendre les bruits d'avertissement extérieurs (klaxons, sirènes, etc.).

### Remarques relatives aux CD

- La lecture de CD poussiéreux ou défectueux peut entraîner des pertes sonores.
- Tenez les CD comme illustré.
- NE touchez PAS la face du CD sans étiquette.
- Ne posez aucun sceau, aucune étiquette ni aucune feuille de protection de données d'un côté ou l'autre du disque.
- N'exposez PAS un CD à la lumière directe du soleil ou à une chaleur excessive.
- Essayez un CD sale du centre vers l'extérieur à l'aide d'un chiffon nettoyant. N'utilisez jamais de solvants tels que de la benzine ou de l'alcool.
- Ce lecteur ne peut jouer de CD 3 pouces ( 8 cm ).
- N'insérez JAMAIS un CD 3 pouces contenu dans l'adaptateur ou un CD de forme irrégulière. L'unité pourrait ne pas pouvoir le rejeter, ce qui entraînerait un dysfonctionnement.

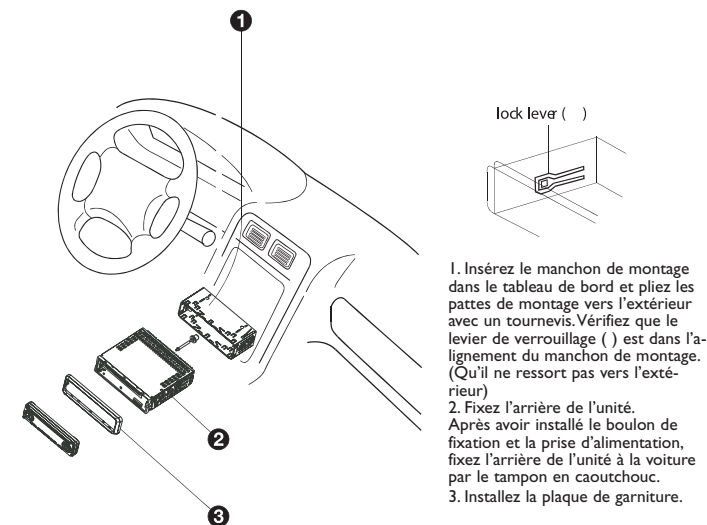


### Avant la mise en marche

- N'augmentez PAS trop le niveau sonore, car cela vous empêcherait d'entendre les sons extérieurs, rendant la conduite dangereuse.
- Arrêtez la voiture avant d'effectuer toute opération compliquée.

### ATTENTION

N'ouvrez PAS les caches et n'effectuez aucune réparation vous-même. Consultez le distributeur ou un technicien expérimenté si vous avez besoin d'aide.



1. Insérez le manchon de montage dans le tableau de bord et pliez les pattes de montage vers l'extérieur avec un tournevis. Vérifiez que le levier de verrouillage ( ) est dans l'alignement du manchon de montage. (Qu'il ne ressort pas vers l'extérieur)
2. Fixez l'arrière de l'unité. Après avoir installé le boulon de fixation et la prise d'alimentation, fixez l'arrière de l'unité à la voiture par le tampon en caoutchouc.
3. Installez la plaque de garniture.

Ce lecteur est équipé d'un panneau détachable motorisé coulissant. Le panneau peut être détaché et emmené avec vous, ce qui vous aidera à décourager les voleurs.

### Retrait du panneau

1. Appuyez sur le bouton PWR pendant plus de 2 secondes pour mettre l'unité hors tension.
2. Déboîtez un peu la partie gauche du panneau, ensuite déboîtez le panneau à partir de la droite (bouton REL).
3. Appuyez doucement sur le bouton du boîtier du panneau et ouvrez l'étui. Placez le panneau dans le boîtier et emmenez-le avec vous lorsque vous quittez la voiture.

### Installation du panneau

1. Insérez le panneau dans l'ouverture de l'unité.
2. Poussez sur le panneau avant jusqu'à ce qu'il se mette en place.

### Retrait du lecteur

1. Enlevez le panneau et la plaque de garniture.
2. Insérez les deux T-Keys dans les trous à l'avant de l'appareil jusqu'à ce qu'ils s'emboîtent.
3. Sortez l'unité.

**OPÉRATIONS DE BASE****ON/OFF**

Pour allumer l'appareil, pressez le bouton POWER (7) ou un autre bouton de la radio (sauf le bouton EJECT) quand le système est en marche. Pressez le bouton POWER (7) pour éteindre l'appareil.

**DÉTACHEMENT DU CACHE DE PROTECTION**

Pressez le bouton REL (1) pour enlever le cache de protection.

**AJUSTEMENT DU SON**

Pressez le bouton du volume (8) pour entrer les paramètres du son. Le réglage du son propose des ajustements dans l'ordre suivant : Volume, Bass, Aigus, Balance, Fader et retour au Volume. Pressez le bouton (19) "BAND/LOUDNESS" plus de 3 secondes puis l'intensité sera activée ou désactivée. Pressez le bouton (2) "MUTE" plus de 3 secondes puis l'intensité sera activée ou désactivée.

**SOURCE**

Pressez le bouton (9) "MODE" pour choisir la fonction disque, radio ou Aux-in.

**ECRAN**

Pressez le bouton (21) "DISPLAY/MENU" de façon répétitive affichera les informations dans l'ordre suivant: Horloge -> Type de programme (PTY) -> Fréquence de la station

**ENTREE AUX JACK**

Connectez les signaux auxiliaires aux entrées Jack sur le panneau frontal. Appuyez sur le bouton "MODE" (9) pour choisir le mode AUX. Appuyez sur le bouton (9) à nouveau pour annuler le mode AUX et revenir au mode précédent.

**FONCTIONNEMENT DU MENU**

Pressez le bouton du volume (8) plus de 3 secondes, la pantalla será mostrada como el modo cíclico de las funciones siguientes: TA SEEK ou ALARM, PI SOUND ou MUTE, RETUNE L ou S, MASK DPI ou ALL, BEEP 2'nd et ALL ou OFF.

**TA SEEK E ALARM**

Faites tourner le bouton pour choisir le mode TA ALARM ou TA SEEK. Lorsque le mode TA est activé et qu'aucun code d'identification de programme de trafic n'a été reçu durant la période spécifiée, aucun TA/TP n'est affiché et, selon le MENU SELECT, l'alarme est déclenchée ou TA SEEK est activé. Mode TA ALARM: NO TA/TP est affiché et l'alarme est déclenchée. Mode TA SEEK: TA SEEK est activé.

**PI SOUND ou MUTE**

PI SOUND: Quand les différents sons PI (DIP) sont entendus de temps en temps, les sons du DIP seront entendus durant moins d'une seconde.



PI MUTE: Quand les différents sons PI (DIP) sont entendus de temps en temps, les sons DIP seront entendus durant moins d'une seconde.

**RETUNE L ou S**

L'heure initiale de la recherche automatique TA ou PI peut être sélectionnée. Lorsque l'information PI n'est interceptée pendant le temps de réglage, la radio se réglera sur la prochaine chaîne PI. Lorsque cette même chaîne PI n'est interceptée pendant le temps d'une recherche cyclique, la radio se réglera sur la prochaine pareille chaîne PI. Mode RETUNE L: Dure 90 secondes. Mode RETUNE S: Dure 30 secondes.

**MASK DPI ou ALL**

Faites tourner le bouton pour choisir le mode MASK DPI ou MASK ALL.

MODE MASK DPI: Seul l'AF qui a une identification de programme différente est masqué. MODE MASK ALL: L'AF qui a une identification de programme différente et le signal NO RDS avec une intensité de champ élevée est masqué.

**BEEPS 2ND, BEEP ALL, BEEP OFF**

Vous pouvez tourner le bouton du volume pour sélectionner les options suivantes: Le bip BEEP 2ND est activé seulement quand la seconde fonction du bouton de fonction double est sélectionnée (appui long). Le bip BEEP ALL est activé lorsque n'importe quel bouton est pressé. Le bip BEEP OFF désactive l'option bip.

**PARAMÈTRES DE LA RADIO****SÉLECTION DE LA BANDE**

En mode tuner, pressez le bouton (2) légèrement pour sélectionner la bande désirée. La bande de réception affiche le choix suivant: FM1, FM2, FM3 et AM.

**SÉLECTION DE LA STATION**

Pressez ou relevez le bouton (20) légèrement pour activer la fonction recherche. Pressez 2 secondes jusqu'à ce que l'indication "MANUAL" apparaisse sur l'écran. Le mode tuning manuel est alors sélectionné. Si les boutons ne sont pas touchés pendant plus de 3 secondes, la fonction revient automatiquement sur "AUTO SEEK".

**MÉMORISATION AUTOMATIQUE AS**

Mémorisation automatique. Pressez le bouton (10) "AS/PS" plus de 3 secondes pour activer la fonction AS. La radio cherche les 6 stations de radio les plus fortes et les enregistre dans le programme actuel de sélection de bande.

**NOTE:** Toutes les stations enregistrées précédemment dans la mémoire sont remplacées par les nouvelles stations de radio sélectionnées.

**LE PROGRAMME SCAN PS**

Pressez le bouton (10) "AS/PS" moins de 3 secondes. L'appareil se mettra en pause pour 10 secondes à chaque station programmée. Pressez le bouton (10) "AS/PS" une nouvelle fois pour arrêter la recherche lorsque la station désirée est trouvée.

**MÉMORISATION DES STATIONS ET RAPPEL**

Pressez n'importe quel bouton du programme (de 12 à 17) pour rappeler une station mémorisée. Pressez un bouton programme 2 secondes, et la station précédente est alors remplacée par la fréquence actuelle.

**CALCULATEUR DE PUISSANCE DU SIGNAL RADIO (RSLM)**

Cette fonction peut être utilisée pour indiquer la force du signal de la station actuellement écoutée. Lorsque vous choisissez le mode RADIO l'écran affiche:



Meilleure réception



Plus mauvaise réception

**LES OPÉRATIONS RDS (SYSTÈME DE DONNÉES RADIO)**

Les données RDS sont les données PI, PS, TP, PTY, TA, EON, CT et AF.

PI: Code d'identification de programme  
Code pour identifier les programmes

PS: Programme de service de noms  
Données expresses sur les stations d'émission  
Par caractère alphabétique

TP: Identification du programme du trafic routier  
Identification des données pour les stations d'émission du trafic routier

TA: Identification de l'annonce du trafic routier  
Identification des données indiquant si les informations concernant le trafic ont été transmises ou non

AF: Fréquences alternatives  
Liste des fréquences des stations d'émission diffusant les mêmes programmes

**METTRE EN MODE AF**

Pressez le bouton (3) AF moins de 3 secondes pour activer ou désactiver le mode AF. Dès que le mode AF est activé, le symbole "AF" apparaît sur l'écran. Le tuner retourne aux fréquences alternatives dès que le signal de réception devient mauvais. L'indication "ALARM" s'affiche lorsque une information importante est diffusée. Lorsque le contrôle du volume est réglé sur le minimum, le réglage du son se fait automatiquement grâce aux paramètres programmés.

En appuyant sur le bouton AF > 3 secondes pour choisir la fonction REGIONAL MODE ON/OFF.

**Mode Régional allumé (REG ON):** Le changement AF ou PI SEEK fonctionne selon les chaînes ayant les mêmes codes PI que la chaîne en cours de transmission. La fonction REG d'une partie individuelle est aussi allumée, et l'écran numérique affichera « REG ON » le temps de quelques secondes.

**Mode Régional éteint (REG OFF):** Le code régional en format de code PI devient nul, lorsque le changement AF ou le PI SEEK fonctionne. La fonction REG d'une partie individuelle est éteinte et l'écran numérique affiche « REG OFF » le temps que quelques secondes. Lorsque le mode régional est éteint, la radio peut changer d'émission entre

une chaîne nationale et une chaîne locale, ou entre une chaîne locale et une chaîne locale d'ailleurs. Si vous ne désirez pas capter une chaîne radio locale, veuillez allumer le mode régional. La radio captera seulement un AF ayant la même émission. **Mode distance EON TA:** La radio essaye d'appliquer l'information de la station actuelle.

**UTILISER LA FONCTION PTY POUR SÉLECTIONNER UN PROGRAMME**

La fonction PTY vous permet de chercher des stations avec des types de programmes particuliers. Pour sélectionner un type de programme, pressez le bouton (5) PTY moins de trois secondes. L'écran affiche: Groupe musique PTY – Groupe parole PTY - off PTY. Maintenant vous pouvez sélectionner le type de musique ou de speech que vous souhaitez en utilisant les boutons du programme de 1 à 6 pour faire une sélection, comme décrit dans le tableau ci-dessous:

Número programmé	Groupe de musique	Groupe de paroles
1	POP M, ROCK M	ACTUALITÉS, AFFAIRES, INFOS
2	VARIETES, MUSIQUE LEGERE	SPORT, EDUCATION, THEATRE
3	JAZZ, COUNTRY	METEO, FINANCES, ENFANTS
4	CLASSIQUE	CULTURE, SCIENCE, DIVERS
5	NATIONAL, NOSTALGIE	SOCIAL, RELIGION, DEBATS TELEPHONIQUES
6	FOLK	VOYAGES, LOISIRS, DOCUMENTAIRES

Lorsque le mode PTY est activé, la sélection se fait en pressant le bouton comme décrit dans la partie note. Lorsque le mode PTY est sélectionné, la radio commence à chercher les informations PTY correspondantes. Si aucune information PTY correspondante n'est trouvée, la réception radio normale reprend. Après, l'indication "NON PTY" est affichée à l'écran pendant 5 secondes.

**ECOUTER L'ANNONCE DU TRAFIC ROUTIER**

L'annonce du trafic routier peut être interrompue par la lecture d'un CD ou l'écoute de la radio. Pressez légèrement le bouton (4) "TA" pour activer ou désactiver le mode TA. Lorsque le mode TA est activé, vous entendez l'annonce du trafic routier. Pendant l'annonce du trafic routier, vous pouvez l'interrompre par un court appui sur le bouton TA (4). Sans désactiver le mode TA. De cette façon, le réglage revient au mode d'opération précédent. Un appui long sur le bouton TA (4) vous permet d'activer ou désactiver le EONTA LOCAL/EONTA DX. EONTA LOCAL permet seulement la diffusion d'informations sur l'état du trafic routier à partir d'une radio forte.

La sélection EONTA DX permet l'interruption de lecture d'un CD ou d'écoute de la radio pendant la réception d'informations.

**FONCTIONNEMENT DU LECTEUR CD**

Le lecteur CD convient pour les disques de 12 cm. Ne pas utiliser de disques non conformes.

**SÉLECTION DES PLAGES**

Pendant la lecture du CD, pressez le bouton (20) "▶▶" pour aller à la chanson suivante. Pressez le bouton (20) "◀◀" pour sélectionner la chanson précédente. Le numéro de la chanson s'affiche sur l'écran.



Pendant la lecture du CD, restez appuyé sur le bouton (20) "▶▶" pour une avance rapide. Restez appuyé sur "◀◀" pour un retour rapide. La lecture du CD commence à partir du moment où vous relâchez le bouton.

**PAUSE**

Pressez le bouton (12) "▶/||" pour interrompre momentanément la lecture du CD. Pressez le bouton une nouvelle fois pour relancer la lecture du CD.

**RÉPÉTITION DE LA MÊME PLAGE**

Pressez le bouton (14) "RPT" pour répéter continuellement la même chanson. Pressez le bouton une nouvelle fois pour arrêter la répétition.

**LECTURE RAPIDE DES PISTES**

Pressez le bouton (13) "SCN" pour jouer les premières secondes de chaque piste du CD en cours de lecture. Pressez une nouvelle fois pour arrêter la lecture des intros et écouter les chansons.

**LECTURE AU HASARD**

Pressez le bouton (15) "SHF" pour jouer toutes les pistes du CD dans le désordre. Pressez une nouvelle fois le bouton pour annuler la fonction.

**EJECTER**

Pressez le bouton (6) "▲" pour arrêter la lecture et éjecter le CD.

**LECTURE D'UN CD TYPE CD-R/RW**

Selon le type de CD CD-R/RW, l'état de la surface du CD, ainsi que la codification peuvent empêcher certains CD type CD-R/RW de fonctionner normalement dans cet appareil.

**FONCTION MP3**

**Comment sélectionner les fichiers MP3**

**1. CHERCHER LES PISTES**

En utilisant le bouton du volume, pressez le bouton (10) "MENU", tournez le bouton du volume pour faire défiler les pistes, et pressez le bouton (19) MP3 pour confirmer.

**2. RECHERCHE PAR RÉPERTOIRE ET NOM DES PISTES**

En utilisant le bouton du volume (8). Sous le mode de lecture MP3, pressez le bouton de menu MP3 (10) deux fois, l'écran affiche "MP". Tournez le bouton du volume (8) pour sélectionner les caractères. Dans ce mode de recherche, utiliser le bouton de sélection (8) comme un curseur. Pressez le bouton band/loud (19) utilisé comme un bouton de confirmation pour le MP3. L'appareil cherche des fichiers et répertoires qui ont les mêmes caractères rentrés par l'utilisateur. Ces fichiers et répertoires peuvent être visualisés par le bouton volume (8) (tourner dans le sens contraire des aiguilles d'une montre). Si le nom sélectionné est dans le répertoire, l'utilisateur peut aller dans le répertoire sélectionné en pressant le bouton de confirmation MP3 (19) et continuer sa recherche de répertoire ou de

nom de fichier en utilisant le bouton volume (8) (tourner dans le sens contraire des aiguilles d'une montre). Le fichier sélectionné peut être écouté en pressant le bouton d'entrée MP3 (19).

**3. RECHERCHE À PARTIR DU RÉPERTOIRE**

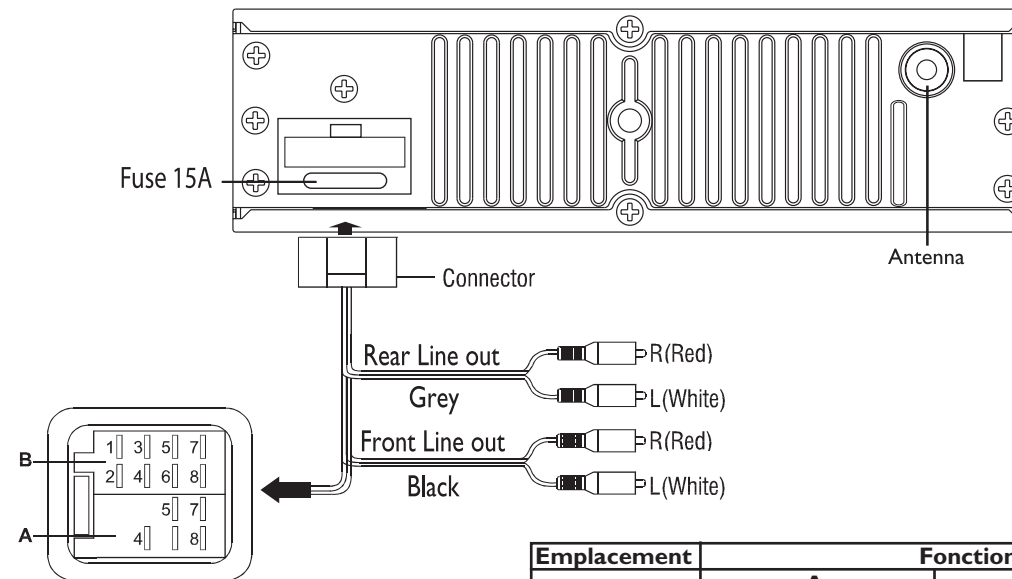
En utilisant le bouton volume (8). En mode MP3, pressez le bouton menu MP3 (10) trois fois, puis le premier nom de répertoire s'affiche. Tournez le bouton du volume (8) (dans le sens contraire des aiguilles d'une montre) pour naviguer à travers la liste de répertoire, pressez le bouton d'entrée MP3 (19) pour sélectionner le répertoire désiré. L'écran affiche "W". Pour choisir une piste dans le répertoire sélectionné, tournez le bouton du volume (8) (dans le sens contraire des aiguilles d'une montre), puis pressez le bouton d'entrée MP3 (19) pour confirmer une chanson.

**4. NAVIGUER À TRAVERS LE RÉPERTOIRE EN UTILISANT LES BOUTONS FICHIERS PRÉCÉDENT/SUIVANT (M5/M6).**

Pressez les boutons fichier suivant (M6) ou fichier précédent (M5) pour aller directement dans le répertoire en cours. Dans les répertoires à plusieurs sous parties, le mouvement se met en place au niveau actuel jusqu'à ce que le dernier fichier soit atteint. A ce point, pressez fichier précédent (5) une nouvelle fois pour aller au niveau ou répertoire précédent.

**ECRAN D'INFORMATION ID3**

Pressez le bouton écran (21) pour afficher de façon répétitive les informations ID3 TAG. Si le fichier MP3 est disponible avec le ID3 TAG, presser le bouton écran (21) de façon répétitive affichera les informations dans l'ordre suivant:  
 Titre de la chanson -> Artiste -> Titre de l'album -> Année -> Commentaires  
 Si les informations ID3 TAG ne sont pas disponibles, en pressant le bouton écran (21) de façon répétitive, les informations s'afficheront dans l'ordre suivant:  
 Titre de chanson inconnu -> Artiste inconnu -> Pas de titre d'album -> Année inconnue -> Pas de commentaires  
 Si le fichier MP3 n'a pas d' ID3 TAG, en pressant le bouton écran (21), l'indication "NON ID3 TAG" s'affichera sur l'écran. Le nom du fichier et le numéro de la piste du fichier MP3 défilent de façon répétitive sur l'écran pendant la lecture du fichier MP3.



Emplacement	Fonction	
	A	B
1		Arrière droit (+) – mauve
2		Arrière droit (+) – mauve / ligne noire
3		Avant droit (+) – gris
4	Batterie 12V(+)	Avant droit (+) – gris / ligne noire
5	Antenne automatique	Avant gauche (+) – blanc
6		Avant gauche (+) – blanc / ligne noire
7	ACC+	Arrière gauche (+) – vert
8	Ground	Arrière gauche (+) – vert / ligne noire

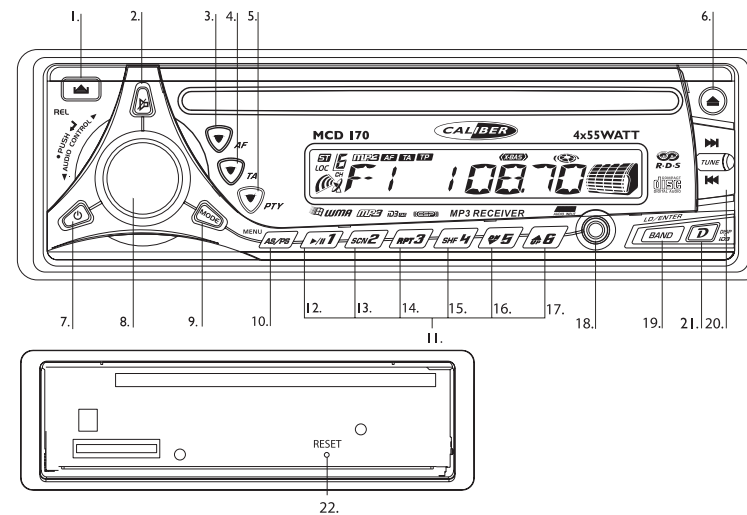


## RÉSOLUTION DES PROBLÈMES

Avant de consulter la liste suivante, vérifiez le câblage et les connexions.

Si le problème rencontré persiste après avoir contrôlé tous les éléments de la liste, adressez-vous au service après-vente d'un revendeur près de chez vous.

Symptôme	Cause	Solution
L'appareil ne s'allume pas.	Le contact du véhicule n'est pas mis.	Si l'alimentation est raccordée correctement aux circuits auxiliaires du véhicule, mettez la clé de contact en position « ACC »
	Le fusible a sauté.	Remplacez le fusible.
Il n'est pas possible de charger de disque ou le disque ne peut être éjecté.	Un disque se trouve déjà dans le lecteur.	Retirez le disque du lecteur, puis introduisez-en un nouveau.
	Le disque est introduit incorrectement.	Introduisez le disque l'étiquette imprimée vers le haut.
	Le disque est très sale ou il est défectueux.	Nettoyez le disque ou essayez un autre.
	La température du véhicule est trop élevée.	Mettez la climatisation en route ou attendez que la température ambiante redescende.
Il n'y a pas de son.	Condensation	Laissez le lecteur éteint pendant une heure, puis réessayez.
	Le volume est au minimum.	Réglez le volume au niveau approprié.
Le son saute.	Les câbles ne sont pas raccordés correctement.	Vérifiez le câblage.
	L'angle d'installation est supérieur à 30 degrés.	Montez l'appareil selon un angle de moins de 30 degrés.
Les touches et les boutons ne fonctionnent pas.	Le disque est très sale ou il est défectueux.	Nettoyez le disque, puis essayez un nouveau.
	Le microprocesseur intégré ne fonctionne pas correctement, probablement en raison de parasites.	Appuyez sur le bouton RESET. Le panneau avant n'est pas fixé correctement.
La radio ne fonctionne pas.	Le câble de l'antenne n'est pas raccordé.	Enfoncez fermement le câble de l'antenne.
	Les signaux sont trop faibles.	Sélectionnez une station manuellement.
Error 1	Erreur Mechanism (mécanisme)	Appuyez sur la touche de réinitialisation RESET pour résoudre le problème. Si le code d'erreur ne disparaît pas, contactez votre revendeur le plus proche.
Error 2	Défaut Servo Focus	Appuyez sur la touche de réinitialisation RESET pour résoudre le problème. Si le code d'erreur ne disparaît pas, contactez votre revendeur le plus proche.



1. BEDIENTEIL-ENTRIEGELTASTE
2. ABSCHALT-TASTE
3. AF-TASTE
4. TA-TASTE
5. PTY-TASTE
6. DISC-AUSWURF
7. STROM-AN/AUS-TASTE
8. LAUTSTÄRKEKNOPF  
AUDIO-AUSWAHLTASTE/ MP3 DATEISUCHE
9. MODUSTASTE
10. AUTOMATISCHE SPEICHERUNG / EINSTELLUNGSSCAN (AS/PS) MENU TASTE
11. SENDERVOREINSTELLUNGSTASTEN (1-6)
12. TASTE PAUSE
13. SCAN-TASTE
14. RPT-TASTE
15. TASTE SHUFFLE (RANDOM)
16. VORIGER ORDNER TASTE
17. NÄCHSTER ORDNER TASTE
18. AUX IN BUCHSE
19. WELLENBEREICHSTASTE/MP3-ENTER-TASTE
20. ABSTIMMUNG OBEN/UNTEN, TITEL NÄCHSTER/VORIGER TASTEN
21. DISPLAY-TASTE/MP3 ID3-TASTE
22. RÜCKSTELLUNGSTASTE

## SPEZIFIKATIONEN

### ALLGEMEINES

Stromversorgung	DC 11-14V
Polung	Negativ Erde
Lautsprecher-Impedanz	4 Ohm
Ausgangsleistung	4 x 55 W

### CD-DECK

System	CD-Digitalaudiosystem
Verwendbare CDs:	CD
Abtastfrequenz	44,1 kHz
Anzahl Quantisierungsbits	1 bit
Frequenzgang	5 Hz bis 20 kHz
Kanalzahl	2, Stereo
Rauschabstand	70dB

### RADIO-TEIL

#### FM

Frequenzbereich	87,5 bis 108 MHz
Nutzbare Empfindlichkeit	Besser als 15dB bei Rauschabstand 30dB
Stereotrennung	25dB bei 1 kHz
Rauschabstand	50dB

#### AM/MW

Frequenzbereich	522-1620 KHz
Zwischenfrequenz	450 kHz
Nutzbare Empfindlichkeit	Besser als 45dB
Rauschabstand	40dB

### BERMerkung:

Änderungen der Spezifikationen ohne vorherige Benachrichtigung möglich.



**DISC PLAY**

**VORSICHTSMASSNAHMEN**

- Ausschließlich mit 12-Volt-Gleichstrom und negativer Masseverbindung verwenden.
- Demontieren Sie vor Arbeiten am Fahrzeug die positive Klemme der Fahrzeugbatterie.
- Achten Sie beim Auswechseln der Sicherung darauf, dass die neue Sicherung über die gleiche Stromleistung verfügt, die Verwendung einer Sicherung mit einer höheren Stromleistung kann zu schwerwiegenden Schäden am Gerät führen.
- Versuchen Sie UNTER KEINEN UMSTÄNDEN das Gerät zu öffnen. Die Laserstrahlen des optischen Tonabnehmers können zu schwerwiegenden Augenschäden führen.
- Stellen Sie sicher, dass keine Stifte oder andere Gegenstände ins Innere des Gerätes gelangen. Sie können zu Fehlfunktionen oder Sicherheitsrisiken, wie Stromschläge oder der Bloßstellung der Laserstrahlen führen.
- Wenn das Fahrzeug längere Zeit bei heißem oder kaltem Wetter im Freien abgestellt war, sollte mit dem Betrieb des Geräts zugewartet werden, bis die Temperatur sich im inneren des Fahrzeuges normalisiert hat.
- Die Lautstärke muss auf einen Pegel beschränkt werden, dass Warngeräusche von außen (Polizei, Sanität usw.) noch hörbar sind.

**CD-Hinweise**

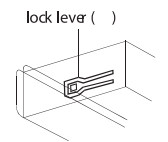
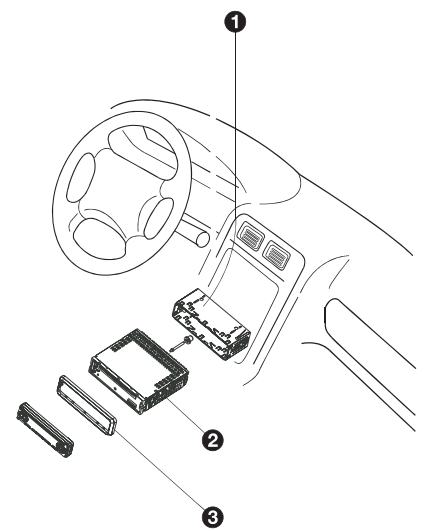
- Die Wiedergabe defekter oder staubiger CDs kann zu Tonaussetzer führen.
- Die CDs wie abgebildet halten.
- Die unetikettierte Seite nicht mit blossen Händen berühren.
- Befestigen Sie KEINE Aufkleber, Etiketten oder Datenschutzfolien auf der Disc.
- Setzen Sie die CD NICHT der direkten Sonneneinstrahlung oder übermäßiger Hitze aus.
- Reiben Sie eine verschmutzte CD von der Mitte nach außen mit einem Reinigungstuch ab. Verwenden Sie niemals Lösungsmittel, wie Benzin oder Alkohol.
- Mit diesem Gerät können keine 8-cm-CD's abgespielt werden.
- Legen Sie NIEMALS eine 8-cm-CD mit Adapter oder eine verformte CD ein. Es ist möglich, dass sich diese CD's im Gerät verkleben, nicht mehr ausgeworfen werden können und das Gerät beschädigen.

**Vor dem Betrieb**

- Den Lautstärkepegel NICHT zu hoch einstellen, Geräusche von aussen. (Polizei Sanität ect.) müssen auf jeden Fall noch hörbar sein
- Bedienungen am Gerät die vom Verkehr ablenken, dürfen nur bei stehendem Fahrzeug ausgeführt werden.

**VORSICHT**

Abdeckungen NICHT öffnen. Eingriffe oder Reparaturen dürfen nur von ausgebildeten techniker ausgeführt werden. Wenden Sie sich daher bei einem Schadenfall an einen autorisierten Händler oder eine Servicestelle. Unbefugtes öffnen hat den Verlust der Garantieleistung zur Folge



1. Die Montageeinfassung in das Armaturenbrett einführen und die Montageklammern mit einem Schraubenzieher spreizen. Sicherstellen, dass der Sperrhebel mit der Montageeinfassung bündig ist. (nicht nach außen herausragt)
2. Den hinteren Teil des Gerätes sichern. Nach der Befestigung der Befestigungsschraube und des Stromanschlusses, befestigen Sie den hinteren Teil des Gerätes mit dem Gummipolster an der Karosserie.
3. Die Zierleiste anbringen.

Dieses Gerät ist mit einer motorisierten, abnehmbaren Frontblende zum Herunterschieben ausgestattet. Um Diebstähle zu vermeiden kann die Frontblende abgenommen und mitgenommen werden.

**Frontblende entfernen**

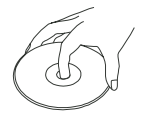
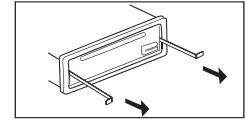
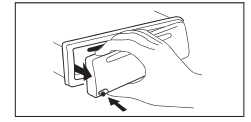
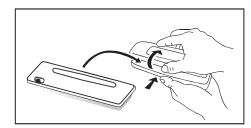
1. Die PWR-Taste zum Ausschalten des Geräts länger als 2 Sekunden eingedrückt halten.
2. Den linken Teil der Frontblende ein wenig herausziehen, dann die Frontblende von rechts herausziehen (REL-taste).
3. Sanft auf die Blendenetui-Taste drücken, um den Deckel zu öffnen. Die Frontblende in das Etui legen und beim verlassen des Fahrzeuges mitnehmen.

**Anbringen der Frontblende**

1. Die Frontblende im Geräteschlitz anbringen.
2. Die Frontblende eindringen bis sie in die Halterung einrastet.

**Das Gerät entfernen**

1. Die Frontblende und die Zierleiste entfernen.
2. Die beiden T-Schlüssel in die Öffnung auf der Vorderseite des Satzes einführen bis sie festsitzen.
3. Das Gerät herausziehen.



**GRUNDLEGENDE BEDIENUNG**

**EIN/AUS**

Schalten Sie das Gerät durch Drücken die Taste POWER (7) oder, wenn die Anlage bereits eingeschaltet ist, durch Drücken einer anderen Taste (außer EJECT) am Radio ein. Drücken Sie die Taste POWER (7), um das Gerät auszuschalten.

**OBERSCHALE ABNEHMEN**

Drücken Sie die Taste REL (1), um die Oberschale zu entfernen.

**KLANGEINSTELLUNGEN**

Drücken Sie den Lautstärkenregler (8), um in die Klangkonfiguration zu gelangen. Die Klangkonfiguration wird sich in folgender Reihenfolge verändern: Lautstärke, Bass, Höhe, Balance, Überblendung und zurück zur normalen Lautstärke. Drücken Sie länger als 3 Sekunden die Taste "BAND/LOUDNESS" (19) und die Lautstärke wird aktiviert oder deaktiviert. Drücken Sie die Mute-Taste, um die Lautstärke sofort auszuschalten; "Mute" blinkt in der Anzeige. Drücken Sie die Mute-Taste erneut, um wieder zur ursprünglichen Lautstärke zurückzukehren.

**QUELLE**

Drücken Sie die Taste "MODE" (9), um auf Disc, Aux-in oder Radio zu schalten.

**DISPLAY**

Drücken Sie wiederholt die Taste (21) "DISPLAY/MENU", um die folgendes display Informationen anzuzeigen: Uhr -> Programmtyp (PTY) -> Senderfrequenz

**AUX IN BUCHSE**

Verbinden Sie das externe Signal mit der AUX IN Buchse (18) in der Frontpaneele. Drücken Sie auf die MODE Taste (9) und wählen Sie den AUX Modus aus. Drücken Sie erneut auf die MODE Taste um den AUX Modus abzubrechen und zum vorherigen Modus zurückzukehren.

**MENÜFÜHRUNG**

Drücken Sie den Regler "VOLUME" (8) länger als 3 Sekunden, das Display zeigt nacheinander die folgenden Funktionen an: TA SEEK or ALARM, PI SOUND or MUTE, RETUNE L or S, MASK DPI or ALL, BEEP 2'nd and ALL or OFF.

**TA SEEK oder ALARM**

Den Drehknopf drehen zur Auswahl des TA ALARM oder TA SEEK Modus. Wenn TA eingeschaltet ist und kein Verkehrsfunk-Kennungscode während der angegebenen Zeit eingegangen ist, wird kein TA/TP angezeigt und entsprechend dem MENU SELECT, ist der Alarm ausgeschaltet oder TA SEEK ist aktiviert.

TA ALARM Modus: NO TA/TP wird angezeigt und der Alarm ist ausgeschaltet.

TA SEEK Modus: TA SEEK ist aktiviert.

**PI SOUND oder MUTE**

PI SOUND: Wenn hin und wieder verschiedene PI-Töne (DIP) angehört werden, sind

die DIP-Töne für weniger als 1 Sekunde hörbar.

PI MUTE: Wenn hin und wieder verschiedene PI-Töne (DIP) angehört werden, hören Sie weniger als 1 Sekunde nichts.

**RETUNE L oder S**

Die Startzeit der automatischen Suche TA oder des Suchmodus PI ist ausgewählt. Wenn die PI-Information nicht zur Umstimmzeit empfangen wird, startet das Radio mit dem Umstimmen auf die nächste, selbe PI-Station.

Wenn dieselbe PI-Station nicht nach einem Suchzyklus empfangen wird, startet das Radio mit dem Neueinstellen auf die nächste, gleich PI-Station.

Modus RETUNE L: Als 90 Sekunden ausgewählt

Modus RETUNE S: Als 30 Sekunden ausgewählt

**MASK DPI oder ALL**

Den Drehknopf drehen zur Auswahl des MASK DPI oder MASK ALL Modus. MASK DPI Modus: Nur die AF, die eine unterschiedliche Programmkennung hat, wird maskiert. MASK ALL Modus: Die AF, die eine unterschiedliche Programmkennung und KEIN RDS Signal mit hoher Feldstärke hat, wird maskiert.

**ZWEIFACHER PIEPTON, PERMANENTER PIEPTON, PIEPTON AUS**

Sie können den Lautstärkereglern drehen, um folgende Optionen auszuwählen: BEEP 2ND Piept nur, wenn die Sekunden- oder Dualfunktion ausgewählt ist (langes Drücken). BEEP ALL Piept, wenn irgendeine Taste gedrückt wird. BEEP OFF Piept, um die Piepmöglichkeit auszuschalten

**RADIO**

**WAHL DES FREQUENZBEREICHES**

Im Empfangsmodus drücken Sie kurz die Taste (2), um den gewünschten Frequenzbereich auszuwählen. Der Bandbereichempfang wird sich in folgender Reihenfolge ändern: FMI, FM2, FM3 und AM.

**SENDERWAHL**

Drücken Sie kurz die Taste aufwärts/abwärts (20), um die automatische Suchfunktion zu aktivieren. Drücken Sie für 2 Sekunden, bis "MANUAL" auf der Anzeige erscheint und der manuelle Abstimmungsmodus ist ausgewählt. Wenn die Tasten für länger als 3 Sekunden nicht berührt werden, geht es automatisch zurück zu "AUTO SEEK".

**AUTOMATISCHES SPEICHERN AS**

- Automatisches Speichern von Daten Drücken Sie die Funktionstaste "AS/PS" (10) länger als drei Sekunden, um AS zu aktivieren. Das Radio sucht nach den 6 stärksten Sendestationen und speichert sie in den aktuellen voreingestellten Bandbereich ein.

**ANMERKUNG:** Sender, die zuvor in dieser Datenbank gespeichert wurden, werden durch neue Sender ersetzt.

**VOREINGESTELLTE ABFRAGE PS**

Drücken Sie die Funktionstaste "AS/PS" (10) für weniger als drei Sekunden. Das Gerät wird

bei jeder voreingestellten Sendestation zehn Sekunden pausieren. Drücken Sie die Taste "AS/PS" nochmals, wenn der gewünschte Sender erreicht ist, um die Abfrage zu stoppen.

#### Sender speichern und abrufen

Drücken Sie eine der Voreinstellungstasten (12 bis 17), um die eingespeicherten Sender wieder abzurufen. Drücken Sie eine Voreinstellungstaste für 2 Sekunden und der zuvor eingestellte Sender wird mit der aktuell eingestellten Frequenz überschrieben.

#### RADIOSIGNALSTÄRKEMESSUNG (RSLM)

Diese Funktion kann genutzt werden um die Signalstärke des derzeit gehörten Radiosenders anzuzeigen. Wenn Sie den RADIO Modus auswählen wird das Display folgendes anzeigen:



Bester Empfang



Schlechtester Empfang

#### RDS-BEDIENUNG

Die RDS-Daten sind PI, PS, TP, PTY, TA, EON, CT und AF Daten.

PI: Programmidentifizierungscode

Code zur Programmidentifizierung

PS: Programmnamenservice

Gibt Daten zum Sendernamen wieder.

In alphabetischer Reihenfolge

TP: Verkehrsprogrammidentifizierung

Identifiziert die Senderdaten für den Verkehrsfunk.

TA: Verkehrsfunkidentifizierung

Identifizierung von Daten, zeigt Verkehrsinfos an, die übermittelt werden oder nicht

AF: Alternative Frequenzen

Frequenzliste von Sendern, die das gleiche Programm übertragen

#### AF MODUS EINSTELLEN

Drücken Sie die Taste AF (3) länger als drei Sekunden, um den Modus AF EIN oder AUS zu schalten. Wann immer AF eingeschaltet ist, wird das Symbol "AF" auf der Anzeige erscheinen. Der Empfänger wird zu alternativen Frequenzen wechseln, wenn das Empfangssignal schlechter wird. "ALARM" wird angezeigt, wenn ein Notruf empfangen wird. Währenddessen wird die Ausgabelautstärke automatisch auf eine voreingestellte Ausgabelautstärke angeglich, wenn das Lautstärkeniveau auf Minimum gestellt ist.

Drücken Sie die Taste AF länger als 3 Sekunden, um REGIONAL MODE ON/OFF zu wählen. **Regionalmodus an (REG ON):** AF-Umschaltung oder PI SEEK wird in der Station vollzogen, welche alle PI-Codes der laufenden Station hat. REG des Einzelsegments wird eingeschaltet. Hinzu wird "REG ON" auf dem numerischen Display für einige Sekunden angezeigt. **Regionalmodus aus (REG OFF):** Der Regionalcode im Format des PI-Codes wird ignoriert, wenn die AF-Umschaltung oder PI SEEK vollzogen wird. REG des

Einzelsegments wird ausgeschaltet. Hinzu wird "REG OFF" auf dem numerischen Display für einige Sekunden angezeigt. Wenn der Regionalmodus ausgeschaltet ist, kann das Radio von einem nationalen Sender zu einer lokalen Variante des Programms oder von einem örtlichen Sender zu einem örtlichen Sender einer anderen Gegend wechseln. Schalten Sie den Regionalmodus ein, wenn Sie nicht zu einem örtlichen Sender wechseln wollen. Das Radio wechselt nur zu AF, wenn dort dasselbe Programm ausgestrahlt wird.

#### PTY ZUM PROGRAMM AUSWÄHLEN BENUTZEN

Die Funktion PTY erlaubt es Ihnen, nach Sendern bestimmten Programmtyps zu suchen. Um Ihren Programmtypen zu bestimmen, drücken Sie die Taste PTY kürzer als drei Sekunden. Die Anzeige zeigt: PTY Music Group (Musikgruppe) -> PTY Speech Group (gesprochene Programme) -> PTY off (Programmtyp-Modus aus) Jetzt können Sie einen Musik- oder Sprachtypen auswählen, indem Sie die Voreinstellungstasten 1 bis 6 für Ihre Auswahl aus der aufgeführten Tabelle drücken:

Nummer	Musikgruppe	Sprachgruppe
1	pop m, rock m	Nachrichten, Politik, info
2	easy m, light m	Sport, Erziehung, Schauspiel
3	classics, other m	Kultur, Wissenschaft, Verschiedenes
4	jazz, country	Wetter, Finanzen, Kinder
5	nation m, oldies	Sozial, Religion, Zuhöreranrufe
6	folk m	Reise, Freizeit, Dokumentation

Während die Einstellung PTY ausgewählt ist, kann die Auswahl durch Drücken der Voreinstellungstasten getroffen werden. Wenn PTY ausgewählt ist, beginnt das Radio nach entsprechenden PTY-Informationen zu suchen. Werden keine entsprechenden PTY-Informationen gefunden, wird der normale Radioempfang fortgesetzt. Danach wird 5 Sekunden lang "NON PTY" in der Anzeige eingeblendet.

#### VERKEHRSFUNK ANHÖREN

Verkehrsfunk kann die Wiedergabe von CDs oder Radioübertragungen unterbrechen. Drücken Sie kurz die Taste "TA" (4), um den TA-Modus ein- oder auszuschalten. Wenn der Modus TA eingeschaltet ist, werden Sie während der Übertragung den Verkehrsfunk hören. Die Verkehrsfunkinformationen können Sie durch kurzes Drücken der Taste TA (4) beenden, ohne den TA-Modus auszuschalten. Dadurch wird das Gerät zum vorigen Betriebsmodus zurückkehren. Langes Drücken der Taste TA (4) erlaubt es Ihnen, zwischen AN/AUS des EONTA LOCAL/EONTA DX zu wählen. EONTA LOCAL wird nur Verkehrsfunk von starken Sendestationen senden. EONTA DX wird es allen empfangenen Meldungen erlauben, die Wiedergabe von CDs oder Radioübertragungen zu unterbrechen.

#### CD BEDIENUNG

Dieser CD-Player ist für 12 cm Discs geeignet. Verwenden Sie keine unregelmäßig geformten CDs.

#### TITEL AUSWÄHLEN

Drücken Sie während der laufenden CD-Wiedergabe die Taste "▶▶" (20) für den nächsten Titel. Drücken Sie die Taste "◀◀" (20) für den vorigen Titel. Die Titelnummer wird auf der Anzeige gezeigt.



Während der CD-Wiedergabe halten Sie die Taste "▶▶" (20) für schnelle Vorwärtssuche gedrückt. Halten Sie die Taste "◀◀" (20) für schnelle Rückwärtssuche gedrückt. Die CD wird an der Stelle starten, an der Sie die Taste loslassen.

#### PAUSE

Drücken Sie die Taste "▶/||" (12), um den CD-Player anzuhalten. Drücken Sie die Taste erneut, um die Wiedergabe fortzusetzen.

#### DEN GLEICHEN TITEL WIEDERHOLEN

Drücken Sie Taste "RPT" (14), um fortwährend den gleichen Titel zu wiederholen. Drücken Sie die Taste erneut, um die Wiederholung zu stoppen.

#### TITELABFRAGE

Drücken Sie Taste "SCN" (13), um einige Sekunden eines jeden Titels der momentan abgespielten CD anzuhören. Drücken Sie die Taste erneut, um das Anspielen zu stoppen und um den Titel anzuhören.

#### TITEL IN GEMISCHTER REIHENFOLGE ABSPIELEN

Drücken Sie die Taste "SHF" (15), um alle Titel in zufälliger Reihenfolge wiederzugeben. Drücken Sie die Taste erneut, um diese Funktion zu widerrufen.

#### AUSGABE DER CD

Drücken Sie die Taste "▲" (6), um die Wiedergabe zu stoppen und um die CD auszugeben.

#### EINE CD-R/RW ABSPIELEN

Abhängig von der Art der CD-R/RW CD, des Oberflächenzustands der CD und auch der Beschriftung der CD-R/RW CD kann es sein, dass sie in diesem Gerät nicht normal abgespielt werden kann.

#### MP3-FUNKTION

##### Wie Sie MP3-Dateien auswählen können

##### 1. TITEL SUCHEN

Mit dem Lautstärkereglern: Drücken Sie Taste "MENU" (10), drehen Sie den Lautstärkereglern, um durch die Titelnummern zu rollen. Drücken Sie dann die Taste MP3 (19) um zu bestätigen.

##### 2. SUCHEN IM VERZEICHNIS UND MIT TITELNAMEN

Mit dem Lautstärkereglern (8). Im MP3-Modus drücken Sie die zweimal Menütaaste MP3 (10); die Anzeige zeigt "00". Drehen Sie den Lautstärkereglern (8), um das Zeichen auszuwählen. In diesem Suchmodus können Sie die Taste (8) als bewegten Cursor verwenden. Bestätigen Sie die Eingabe durch Drücken der Taste band/loud (19). Das Gerät durchsucht Ordner und Dateien nach den Merkmalen, die der Benutzer eingegeben hat. Das Gerät zeigt die geordneten Dateien und Verzeichnisse, wenn Sie den Lautstärkereglern (8) gegen den Uhrzeigersinn drehen. Wenn der gewählte Eintrag ein Verzeichnis ist, kann der Benutzer in das Verzeichnis wechseln, indem er die Taste MP3 (19) zur Bestätigung drückt. Der Benutzer kann die Suche nach Dateien oder Verzeichnissen fortsetzen, indem er den Lautstärkereglern (8) gegen den Uhrzeigersinn dreht. Die ausgewählte Datei kann abgespielt werden, indem die Taste MP3-Eingabe gedrückt wird.

#### 03. SUCHE IN VERZEICHNISSEN

Mit dem Lautstärkereglern (8). Im Abspielmodus MP3 drücken Sie dreimal die Taste MP3-Menü (10), um das erste Verzeichnis anzuzeigen. Drehen Sie den Lautstärkereglern (8) gegen den Uhrzeigersinn, um durch die Verzeichnisliste zu navigieren. Drücken Sie die Taste MP3-Eingabe (19), um den gewünschten Titel auszuwählen. Das Display zeigt "||". Um Titel im ausgewählten Verzeichnis auszuwählen, drehen Sie den Lautstärkereglern gegen den Uhrzeigersinn. Drücken Sie dann die Taste MP3-Eingabe (19) zur Bestätigung, wenn Sie den gewünschten Titel gefunden haben.

#### 4. NAVIGIEREN SIE MIT DEN TASTEN VORIGER/NÄCHSTER ORDNER (M5/M6) DURCH DIE VERZEICHNISSE.

Drücken Sie nächster Ordner (M6) oder voriger Ordner (M5), um das aktuelle Verzeichnis zu überspringen. Auf einer CD mit vielen Verzeichnisebenen wird die Navigation auf einer Ebene bleiben, solange der unterste Ordner nicht erreicht ist. An dieser Position drücken Sie erneut vorigen Ordner (5). Gehen Sie dann zur nächsten Verzeichnisebene oder zum nächsten Verzeichnis.

#### ID3-DISPLAYINFORMATION

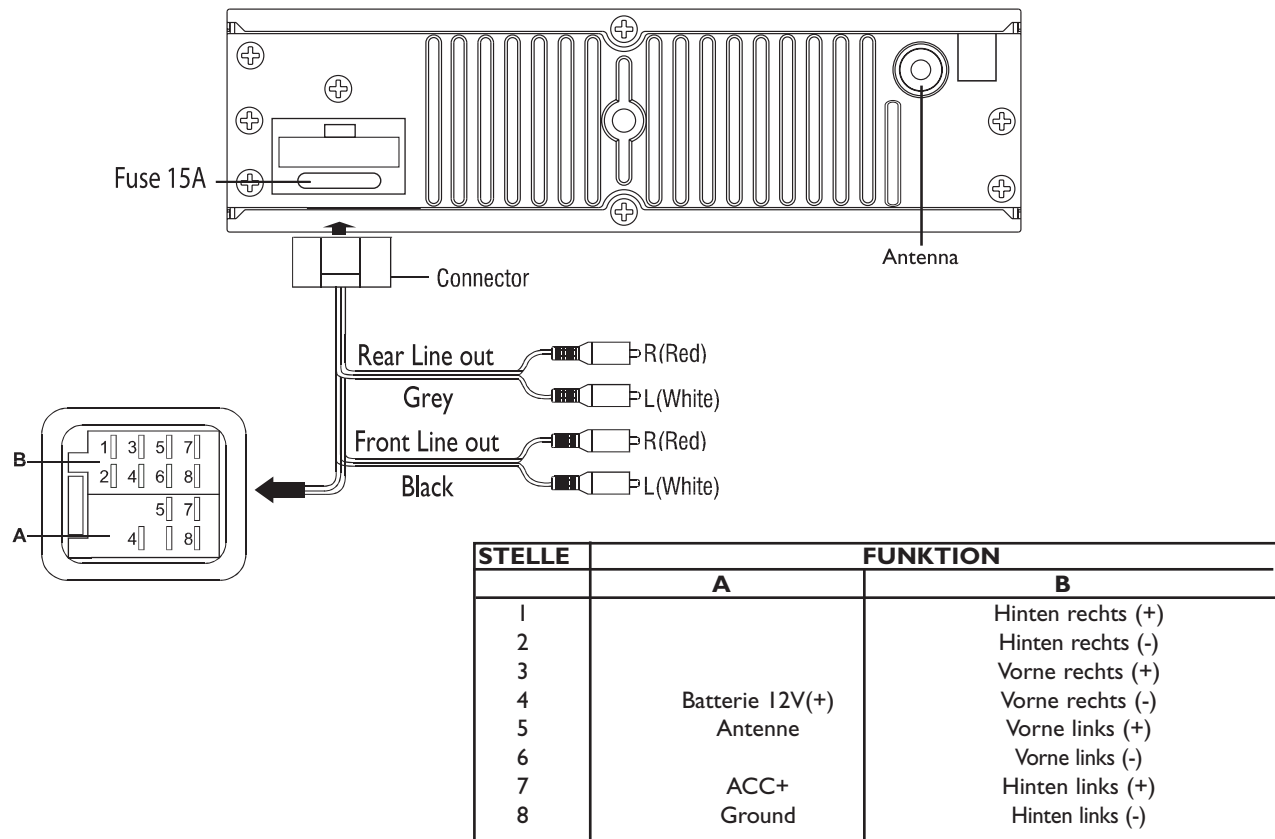
Drücken Sie wiederholt die Taste Display (21), um die ID3 TAG-Informationen anzuzeigen. Wenn die MP3-Datei über einen ID3 TAG verfügt, drücken Sie wiederholt die Taste Display (21), um die ID3 TAG-Informationen anzuzeigen.

Titel -> Künstler -> Album Titel -> Jahr -> Kommentare

Falls Informationen des ID3 TAG fehlen sollten, drücken Sie wiederholt die Taste Display, um die Informationen in folgender Reihenfolge anzuzeigen:

Unbekannter Titel -> Unbekannter Künstler -> Kein Album -> Unbekanntes Jahr -> Keine Kommentare

Wenn die MP3-Datei über keinen ID3 TAG verfügt, drücken Sie die Taste Display und "NON ID3 TAG" wird angezeigt. Der Dateiname und die Titelnummer der MP3-Datei werden wiederholt auf dem Display angezeigt, solange die Datei abgespielt wird.

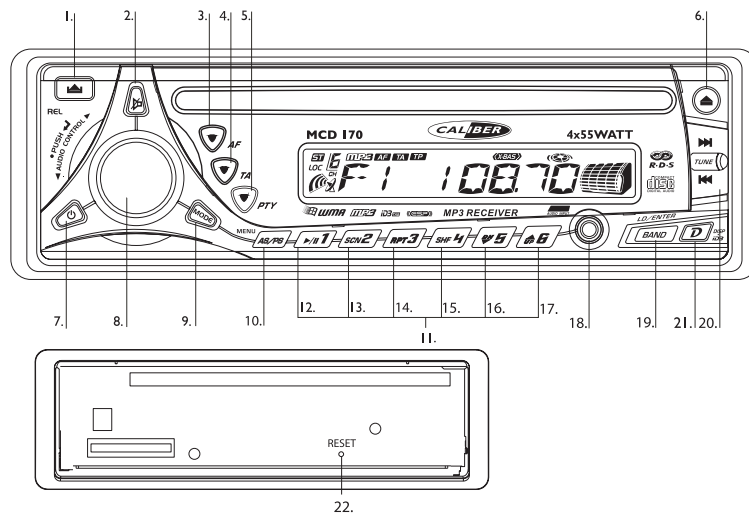


## STÖRUNGSBEHEBUNG

Ehe Sie die Checkliste durchgehen, überprüfen Sie die Verkabelung.

Sollte eines der Probleme nach Konsultieren der Checkliste nicht behoben sein, kontaktieren Sie Ihren Händler.

Symptom	Ursache	Lösung
Kein Strom	Der Zündschlüssel wurde nicht gedreht	Wenn die Stromzufuhr richtig mit dem entsprechenden Anschluss des Autos verbunden ist, drehen Sie den Zündschlüssel in die Position "ACC"
	Die Sicherung ist herausgegangen	Ersetzen Sie die Sicherung
CD lädt nicht oder wird nicht ausgeworfen	Position der CD im Player	Entfernen Sie die CD aus dem Player und legen Sie eine neue ein
	CD falsch herum eingelegt	Legen Sie die CD mit der Beschriftung nach oben ein
	Die CD ist sehr verschmutzt oder fehlerhaft	Reinigen Sie die CD oder versuchen Sie, eine neue abzuspielen
	Temperatur im Auto ist zu hoch	Kühlen oder abwarten, bis sich die Innentemperatur normalisiert hat
	Kondensation	Lassen Sie den Player für einen Stunde aus und versuchen Sie es dann erneut
Kein Ton	Lautstärke ist auf Minimum eingestellt	Stellen Sie die Lautstärke auf den gewünschten Pegel
	Verkabelung wurde nicht richtig durchgeführt	Überprüfen Sie die Verkabelung
Ton springt	Der Installationswinkel beträgt mehr als 30 Grad	Passen Sie den Installationswinkel so an, dass er weniger als 30 Grad beträgt
	Die CD ist sehr verschmutzt oder fehlerhaft	Reinigen Sie die CD; versuchen Sie, eine neue spielen zu lassen
Die Bedienungsknöpfe funktionieren nicht	Der eingebaute Microcomputer funktioniert nicht richtig aufgrund Geräuschkulissee	Drücken Sie den RESET-Knopf. Frontplatte ist nicht richtig eingesetzt
	Das Antennenkabel ist nicht angeschlossen	Stecken Sie das Antennenkabel richtig ein
Das Radio funktioniert nicht	Die Signale sind zu schwach	Wählen Sie eine Station von Hand aus
Error 1	Mechanismusfehler	Drücken Sie die Reset-Taste, um das Problem zu beheben. Verschwindet der Fehlercode dennoch nicht, dann suchen Sie bitte Ihren nächsten Service-Händler auf.
Error 2	Servo-Focus-Fehler	Drücken Sie die Reset-Taste, um das Problem zu beheben. Verschwindet der Fehlercode dennoch nicht, dann suchen Sie bitte Ihren nächsten Service-Händler auf.



1. PANEEL VERWIJDER KNOP  
 2. MUTE KNOP  
 3. AF KNOP  
 4. TA KNOP  
 5. PTY KNOP  
 6. EJECT KNOP  
 7. AAN/UIT KNOP  
 8. VOLUME DRAAI KNOP  
 9. AUDIO SELECTIE KNOP/ MP3 FILE ZOEKEN  
 10. MODUS KNOP  
 11. AUTOMATISCH OPSLAAN / VOORINSTELLINGEN SCAN (AS/PS)/MENU  
 12. VOORINSTELLINGEN RADIO KNOP (1-6)  
 13. PAUSE KNOP  
 14. SCAN KNOP  
 15. REPEAT KNOP  
 16. SHUFFLE (RANDOM) KNOP  
 17. VORIGE FOLDER KNOP  
 18. VOLGENDE FOLDER KNOP  
 19. AUX IN JACK  
 20. BAND/LOUD KNOP / MP3 ENTER KNOP  
 21. TUNING OP/NEER, TRACK OP / NEER KNOPPEN  
 22. DISPLAY KNOP / MP3 ID3 KNOP  
 23. RESET KNOP



## SPECIFICATIES

### ALGEMEEN

Vermogen	DC 11 -14V
Polariteit	Negatieve Massa
Luidspreker impedantie	4 ohms
Uitgangsvermogen	4 x 55W

### CD SPELER

Systeem	Compact disc audio systeem
Bruikbare media	Compact disc, MP3
Sampling frequentie	44.1KHz
Aantal kwantisatie bits	1bit
Frequentie	5-20,000Hz
Aantal kanalen	2 stereo
S/N Ratio	70dB

### RADIO SECTIE

#### FM

Frequentiebereik	87.5-108 Mhz
Middenfrequentie	10.7 MHz
Bruikbare gevoeligheid	Beter dan 15dB bij S/N 30dB
Stereo Scheiding	25dB bij 1KHz
S/N Ratio	50dB

#### MW

Frequentiebereik	522-1620 KHz
Middenfrequentie	450KHz
Bruikbare gevoeligheid	Beter dan 45dB
S/N Ratio	40dB

#### Opmerking :

Specificaties kunnen veranderen zonder verdere kennisgeving.

## DISC PLAY

### Voorzorgsmaatregelen

- Alleen gebruiken in een 12Volt - negatieve massa elektrisch systeem.
- Koppel de negatieve terminal van de accu los, wanneer er aan de montage en bevestiging van deze unit gewerkt wordt.
- Vervang een gebroken zekering altijd door een zekering met dezelfde waarde, bij gebruik van een zekering met een hogere waarde kan de unit ernstig beschadigd raken.
- Demonteer deze unit nooit zelf, de laserstralen van de unit zijn schadelijk voor de ogen.
- Voorkom dat er vreemde voorwerpen in de unit terechtkomen, dit kan schade veroorzaken, en een gevaar voor de gezondheid vormen, door bijvoorbeeld elektrische schokken of blootstelling aan de laserstralen.
- Wanneer uw auto voor langere tijd in een zeer warme of zeer koude omgeving heeft gestaan, wacht dan met de bediening van uw unit totdat er in de auto weer een normale temperatuur is.
- Houd het volume op een sterkte waarbij waarschuwingssignalen van buitenaf nog hoorbaar blijven (claxons, sirenes e.d.)

### CD Opmerkingen

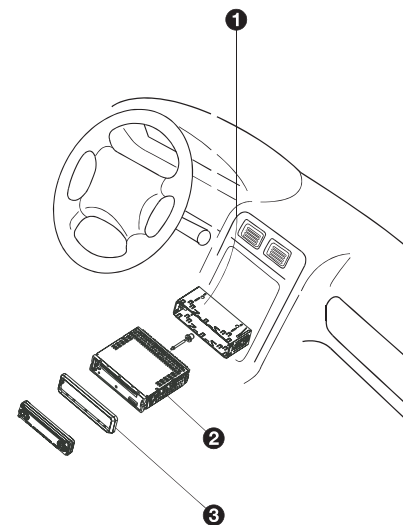
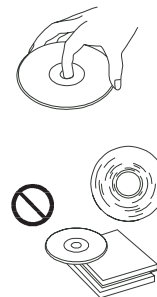
- Het afspelen van een defecte of vieze CD kan geluidsuitval tot gevolg hebben.
  - Houd een CD vast zoals hiernaast afgebeeld.
  - Raak de onbedrukte zijde van de CD niet aan.
  - Plaats geen label, verzegeling of schijfbeveiliging op beide zijden van de CD.
  - Stel de CD niet bloot aan direct zonlicht of extreme hitte.
  - Reinig een vieze CD met een doekje, wrijvend vanuit het midden van de CD.
  - Gebruik hiervoor nooit oplosmiddelen zoals benzine of alcohol!
  - Deze unit speelt geen 3 inch (8cm) CD's of onregelmatig gevormde CD's, plaats deze nooit in de unit!
- Deze CD's kunnen niet verwijderd worden met disfunctioneren als gevolg.

### Voordat je begint:

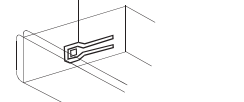
Zet het volume niet te hoog, dit overstemt geluiden van buiten, wat voor gevaar tijdens het rijden kan zorgen. Zorg dat de auto stilstaat wanneer u ingewikkelde handelingen gaat verrichten.

### Waarschuwing

Open de behuizing nooit zelf, en verricht geen reparaties. Ga hiervoor naar je dealer of de technische dienst.



lock lever ( )



1. plaats de montagebeugel in het dashboard, en buig de bevestigingslipjes naar buiten met een schroevendraaier. Zorg ervoor dat de "lock lever" gelijk ligt met de bevestigingsrand, en niet naar buiten wijst.
2. Maak de achterzijde van de unit stevig vast. Na het vastzetten van de montagebout en power connector, bevestigt u de achterzijde van de unit aan het dashboard.
3. Plaats de afwerkrand.

### Anti diefstal systeem

Deze unit is uitgerust met een afneembaar frontpaneel. Neem dit frontpaneel altijd mee, dit voorkomt diefstal.

### Afnemen van het frontpaneel

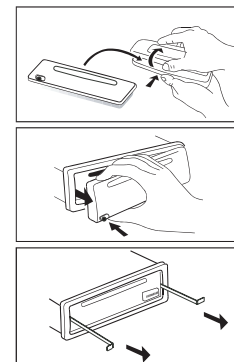
1. Houdt de PWR knop langer dan 2 sec. ingedrukt om de unit uit te schakelen.
2. Haal de linkerzijde van het paneel voorzichtig een stukje naar voren, en verwijder dan het paneel vanaf de rechterkant (REL knop).
3. Open het bijgeleverde doosje voorzichtig, en plaats het paneel hierin.

### Plaatsen van het frontpaneel

1. Plaats de unit in de opening, voor de paneelhouder.
2. Oefen voorzichtig druk uit op het frontpaneel totdat het vastklikt.

### Verwijderen van de unit

1. Verwijder het frontpaneel en de afdeklift.
2. Plaats meegeleverde T-sleutels in de openingen aan de voorzijde tot ze vastklikken.
3. Trek de unit er voorzichtig uit.



**BASIS FUNCTIES****AAN/UIT**

Druk op knop (7) "POWER" of ieder andere knop op de radio (behalve eject) om de unit in te schakelen. Druk knop (7) "POWER" nogmaals om de unit uit te schakelen.

**FRONTPANEEL VERWIJDEREN**

Druk op de REL knop (1) om het frontpaneel te verwijderen.

**GELUIDS INSTELLINGEN**

Druk op de volume knop (8) voor de geluidsinstellingen, de volgende opties volgen: Volume, Bass, Treble, Balance, Faderen terug naar Volume.

Houd knop (19) "BAND/LOUDNESS" langer dan 3 seconden ingedrukt en Loudness wordt in- of uitgeschakeld.

Druk de MUTE knop kort in om het audio volume uit te schakelen. Mute knippert nu in het display. Druk nogmaals op MUTE om terug te keren naar het laatst ingestelde volume.

**MODE**

Druk op knop (9) "MODE" om te schakelen tussen disk, Aux-in en radio.

**DISPLAY**

Druk herhaaldelijk op knop (21) "DISPLAY/MENU" en de volgende informatie verschijnt op het display: Klok -> Programmatype (PTY) -> Frequentie van de radiozender

**AUX-IN JACK**

Verbind het externe signaal aan de Aux-in jack (18) op het frontpaneel. Druk op knop (9) "MODE" om de AUX modus te selecteren. Druk nogmaals op knop (9) om de AUX modus uit te schakelen en terug te keren naar de vorige modus.

**MENU FUNCTIES**

Houd de volume knop (8) langer dan 3 seconden ingedrukt, het display geeft de volgende functies weer: TA SEEK of ALARM, PI SOUND of MUTE, RETUNE L of S, MASK DPI of ALL, BEEP 2'nd en ALL of OFF.

**TA SEEK of ALARM**

Draai aan de knop om TA ALARM of TA SEEK modus te selecteren. Wanneer TA is ingeschakeld en er geen verkeersinformatie is ontvangen gedurende een bepaalde tijd, verschijnt NO TA/TP in het display, en afhankelijk van de geselecteerde modus wordt het alarm uitgeschakeld, of wordt TA SEEK geactiveerd.

**TA ALARM modus:** NO TA/TP wordt weergegeven en het alarm wordt uitgeschakeld.

**TA SEEK modus:** TA SEEK is geactiveerd

**PI SOUND of MUTE**

PI SOUND: Wanneer een afwijkende PI sound (DIP) eens in de zoveel tijd hoorbaar is, zal de DIP toon hoorbaar zijn voor minder dan één seconde.



PI MUTE: Wanneer een afwijkende PI sound (DIP) eens in de zoveel tijd hoorbaar is, zal een dempende toon hoorbaar zijn voor minder dan één seconde.

**RETUNE L of S**

De aanvangstijd van de automatische TA of PI zoekfunctie wordt geselecteerd.

Wanneer gedurende de afstemtijd geen TP informatie wordt gevonden, zal de radio afstemmen op de volgende PI-zender. Wanneer er geen zelfde PI-zender gevonden wordt binnen één zoekcyclus, zal de radio terugschakelen naar de laatste zender en 4-5 minuten wachten totdat de PI code wordt ontvangen.

RETUNE L modus: Ingesteld op 90 seconden.

RETUNE S modus: Ingesteld op 30 seconden.

**MASK DPI of ALL**

Draai aan de knop om MASK DPI modus of MASK ALL modus te selecteren.

**MASK DPI modus :**

Alleen de AF met een andere programma identificatie is verborgen.

**MASK ALL modus :**

De AF met een andere programma identificatie en NO RDS (geen RDS) signaal met hoge sterkte is verborgen.

**BEEPS 2ND, BEEP ALL, BEEP OFF**

Draai aan de volume knop om de volgende opties te selecteren:

BEEP 2ND: De pieptoon is alleen ingeschakeld wanneer de tweede functie van een knop is geselecteerd.

BEEP ALL: De pieptoon is ingeschakeld bij elke knop die wordt ingedrukt.

BEEP OFF: De pieptoon is uitgeschakeld.

**RADIO FUNCTIES****BAND SELECTIE**

Druk kort op knop (2) in de tuner modus om de gewenste band te selecteren.

De band zal veranderen in deze volgorde: FM1, FM2, FM3 and AM.

**STATION SELECTIE**

Druk kort op de zoek knop (20) om het automatisch zoeken te activeren. Druk langer dan 2 seconden tot "MANUAL" in het display verschijnt, om het handmatig zoeken te activeren. Als de knoppen langer dan 3 seconden niet worden ingedrukt schakelt de radio automatisch terug naar "AUTO SEEK".

**AUTOSTORE AS**

-Automatisch opslaan

Druk langer dan 3 seconden op knop (10) "AS/PS" om AS te activeren. De radio zoekt naar de 6 sterkste stations en slaat deze op onder de preset knoppen in de huidige geselecteerde band.

**OPMERKING:** De nieuwe stations vervangen de eerder opgeslagen stations

**PRESET SCAN PS**

-Voorinstellingen scan

Druk korter dan 3 seconden op knop (10) "AS/PS". De unit geeft nu ieder geprogrammeerd station gedurende 10 sec weer. Druk nogmaals op knop (10) "AS/PS" als het gewenste station is bereikt.

**Station store and recall**

Druk op een van de preset knoppen (12-17) om een opgeslagen station te selecteren. Druk langer dan 2 seconden op een preset knop, het opgeslagen station zal overschreven worden door het huidige afgestemde station.

**RADIO SIGNAAL STERKTE METER (RSLM)**

Deze functie kan gebruikt worden om de sterkte van het huidige radiosignaal weer te geven. Als je voor de RADIO modus kiest verschijnt er op het display:



Beste ontvangst



Slechste ontvangst

**RDS (RADIO DATA SYSTEM) FUNCTIES**

Deze unit heeft de volgende RDS functies: PI, PS, TP, PTY, TA, EON, CT en AF.

PI: Program identification code

Code voor identificatie programma's

PS: Program service name

Radiostations uitgedrukt in alfanumerieke characters

TP: Traffic program identification

Identificatie nummers voor verkeersinformatie

TA: Traffic announcement identification

Identificatie nummers geven aan of er verkeersinformatie wordt uitgezonden.

AF: Alternative frequencies

Frequentielijst van radiostations die hetzelfde programma uitzenden.

**SETTING AF MODE**

Druk korter dan 3 sec op knop (3) AF om AF ON/OFF te selecteren. Als de AF functie is ingeschakeld verschijnt "AF" op het display. De radio zal automatisch overschakelen naar een alternatieve radiozender bij een zwak signaal. Op het display verschijnt "ALARM" als er een nooduitzending wordt ontvangen; ondertussen wordt het volume niveau automatisch aangepast aan het vooraf ingestelde volume als het volume ingesteld is op het minimum.

Druk de AF knop langer dan 3 sec. in om REGIONAL MODE ON/OFF te selecteren.

**Regional mode on (REG ON):** AF schakeling of PI SEEK is aanvullend op het station welke alle PI codes hetzelfde heeft als het huidige station. REG van individuele delen wordt ingeschakeld, tegelijkertijd verschijnt er voor een paar seconden "REG ON" op het display.

**Regional mode off (REG OFF):** REG van individuele delen is uitgeschakeld, tegelij-

ker tijd verschijnt er voor een paar seconden "REG OFF" op het display. Wanneer regional mode is uitgeschakeld, kan de radio overschakelen van een nationaal station naar een lokaal station met dat programma, of van een lokaal station in een bepaald gebied naar een ander lokaal station in een ander gebied. Als je niet wil overschakelen naar een lokaal station, zet dan regional mode on. De radio zal alleen overschakelen naar een AF die precies hetzelfde programma uitzendt.

**GEBRUIK PTY OM EEN PROGRAMMATE SELECTEREN**

De PTY functie geeft je de mogelijkheid om een radiozender te zoeken met een specifieke programmatype. Druk korter dan 3 sec op knop (5) "PTY" om jouw programmatype te selecteren. In het display verschijnt: PTY Muziek Groep -> PTY Spreek groep -> PTY off. Druk op een van de preset knoppen (1-6) om een muziekstijl of gesproken groep te selecteren:

Preset nummers	Muziekstijl	Gesproken groep
1	pop m, rock m	nieuws, politiek, info
2	easy m, light m	sport, educatie, drama
3	classics, other m	cultuur, wetenschap, gevarieerd
4	jazz, country	weer, financieel, kinderen
5	nation m, oldies	sociaal, religi, opbel programma
6	folk m	reizen, vrije tijd, documentatie

Met de preset knoppen zoals hiervoor omschreven kun je de gewenste PTY selecteren. Als de gewenste PTY is geselecteerd zal de radio automatisch op zoek. Als de gewenste PTY niet wordt gevonden dan zal er gedurende 5 sec "NON PTY" op het display verschijnen en wordt de vorige modus hervat.

**LUISTEREN NAAR VERKEERSINFORMATIE**

Verkeersinformatie kan het afspelen van CD of radio onderbreken. Druk op knop (4) "TA" om de TA functie aan of uit te schakelen. Als de TA functie is ingeschakeld, zal de unit overschakelen naar de verkeersinformatie als deze wordt uitgezonden. Tijdens de verkeersinformatie, kun je deze onderbreken door kort op knop (4) "TA" te drukken. Zonder de TA functie uit te schakelen. Als je dit doet zal de unit terugkeren naar de vorige modus. Door lang op knop (4) "TA" te drukken schakel je de EONTA LOCAL/EONTA DX aan of uit. EONTA LOCAL: De unit zal alleen overschakelen naar verkeersinformatie als het een zender.

EONTA DX: De unit zal overschakelen naar verkeersinformatie bij alle zenders ongeacht de signaalsterkte.

**CD FUNCTIES**

Deze CD speler is geschikt voor 12cm CD's, gebruik geen ander formaat CD's.

**TRACKS SELECTEREN**

Druk tijdens het afspelen van de CD op knop (20) "▶▶" om naar de volgende track te gaan. Druk op knop (20) "◀◀" om naar de vorige track te gaan. Het geselecteerde tracknummer verschijnt op het display.

Houd knop (20) "▶▶" ingedrukt om snel vooruit te spoelen. Houd knop (20) "◀◀" ingedrukt voor snel teruguit te spoelen. De CD start met spelen als je de knop los laat.

#### PAUZE

Druk op knop (12) "▶/||" om de CD speler te pauzeren. Druk nogmaals om het afspelen te vervolgen.

#### HERHAAL DEZELFDE TRACK

Druk op knop (14) "RPT" om de geselecteerde tracktelkens te herhalen. Druk nogmaals om het herhalen te stoppen.

#### SCAN TRACKS

Druk op knop (13) "SCN" om de eerste paar seconden van iedere track op de huidige CD af te spelen. Druk nogmaals om de intro te stoppen en naar de gehele track te luisteren.

#### TRACKS AF SPELEN IN SHUFFLE

Druk op knop (15) "SHF" om alle tracks in willekeurige volgorde af te spelen. Druk nogmaals om de functie te stoppen.

#### EJECT

Druk op knop (6) "▲" om het afspelen te stoppen en de CD te verwijderen.

#### CD-R/RW AF SPELEN

Afhankelijk van het type CD-R/RW CD, eventuele beschadigingen op de CD, de CD-brander, zullen sommige CD-R/RD CD's niet kunnen worden afgespeeld op deze unit.

#### MP3 FUNCTIES

##### MP3 bestanden selecteren

##### 1. TRACK ZOEKEN

Dmv gebruik van de volume knop. Druk op knop (10) "MENU", draai de volume knop om te scrollen door de nummers, druk op de MP3 enter knop (19) om te bevestigen.

##### 2. ZOEKEN OP TRACKNAAM EN FOLDER

Dmv gebruik van de volume knop (8). Druk tweemaal op de MP3 menu knop (10), "\*" verschijnt op het display. Draai de volume knop (8) om het character te selecteren. Gebruik de selecteer knop (8) in deze zoek modus als cursor verplaats knop. Druk op de band/loud knop (19) om de tracknaam/folder te bevestigen. De unit gaat op zoek naar tracks en folders met dezelfde characters die door jou zijn opgegeven. De unit laat deze gesorteerde tracks en folders zien dmv gebruik van de volume knop (8) (draai eerst tegen de klok in). Als de geselecteerde naam een folder is, druk dan op de MP3 bevestigings knop (19) om deze folder te openen. Draai de volume knop (8) (draai eerst tegen de klok in) om de gewenste tracknaam uit de folder te selecteren. Druk op de MP3 enter knop (19) om de geselecteerde track af te spelen.

##### 3. ZOEKEN VANUIT EEN FOLDER

Dmv gebruik van de volume knop. Druk driemaal op de MP3 menu knop (10), de eerste folder verschijnt op het display. Draai de volume knop (8) (draai eerst tegen de klok in) om te scrollen door de folderlijst, druk de MP3 enter knop (19) om deze folder te openen. In het display verschijnt "\". Draai de volume knop (8) (draai eerst tegen de klok in) om de gewenste tracknaam uit de folder te selecteren. Druk op de MP3 enter knop (19) om de geselecteerde track af te spelen.

##### 4. NAVIGEREN DOOR DE FOLDERS DMVDE VORIGE/VOLGENDE FOLDER (M5/M6) KNOPPEN

Druk op de volgende folder (M6) of vorige folder (M5) knoppen om te skippen door de huidige folders. Op een multi-level CD vindt de voortgang plaats in de huidige folder tot de laatste folder is bereikt. Druk op dat punt nogmaals op de vorige folder (5) om in deze folder te komen.

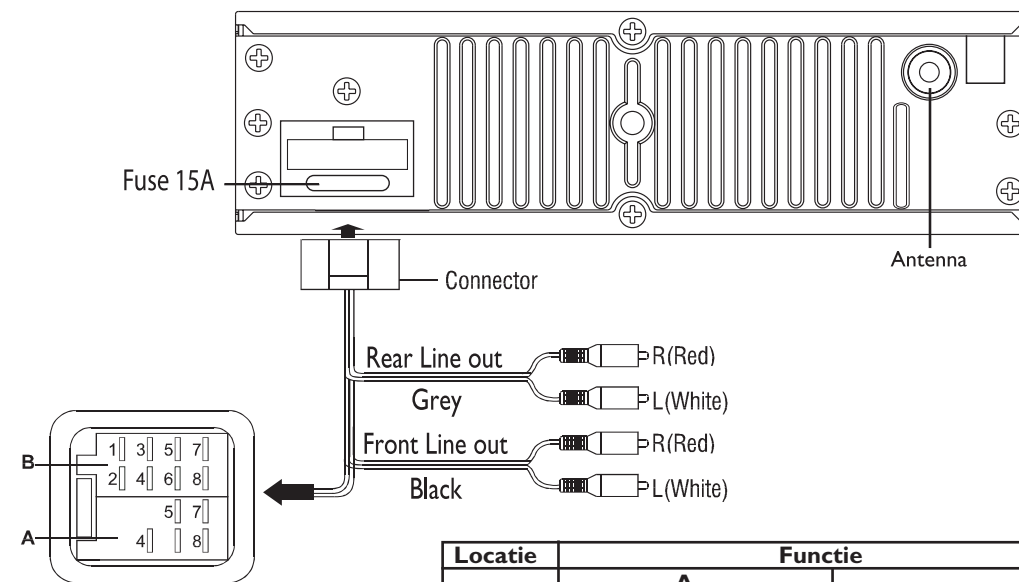
##### ID3 DISPLAY INFORMATIE

Druk herhaaldelijk op de display knop (21) om ID3 TAG informatie weer te geven. Als de MP3 file over ID3 TAG beschikt, druk dan herhaaldelijk op de display knop (21) en de volgende informatie verschijnt op het display:

Song title -> Artist -> Album title -> Year -> Comments

Als één van de ID3 TAG informatie niet beschikbaar is, druk dan herhaaldelijk op de display knop (18) en de volgende informatie verschijnt op het display:  
Unknown Song title -> Unknown Artist -> No Album title -> Unknown Year -> No Comments

Als geen ID3 informatie beschikbaar is, druk op de display knop (21), en "NO ID3 TAG" verschijnt op het display. De tracknaam van de MP3 verschijnt herhaaldelijk op het display tijdens het afspelen van het MP3 bestand.



Locatie	Functie	
	A	B
1		Rechts achter luidspreker (+)
2		Rechts achter luidspreker (-)
3		Rechts voor luidspreker (+)
4	Accu 12V(+)	Rechts voor luidspreker (-)
5	Auto Antenne	Links voor luidspreker (+)
6		Links voor luidspreker (-)
7	ACC+	Links achter luidspreker (+)
8	Massa	Links achter luidspreker (-)



## PROBLEMEN OPLOSSEN

Controleer voordat u de checklist doorloopt de bedrading. Als zich na het doorlopen van de checklist nog problemen voordoen, neem dan contact op met uw dealer.

Probleem	Oorzaak	Oplossing
Geen stroom	De auto is niet gestart	Als de stroomtoevoer op de juiste wijze is aangesloten op de accessoirestand, draai de start sleutel naar "ACC"
	Kapotte zekering	Vervang de zekering
CD wordt niet geladen of uitgeworpen	Er bevindt zich al een CD in de speler	Verwijder eerst de CD uit de speler en plaats een andere
	De CD is met de verkeerde zijde boven geplaatst	Plaats de CD met de labelzijde boven
	De CD is erg vies of defect	Reinig de CD of plaats een andere CD
	De temperatuur in de auto is te hoog	Laat de temperatuur in de auto eerst afkoelen totdat deze weer normaal is
	Condensatie	Laat de speler een uur lang uitgeschakeld staan en probeer het dan opnieuw
Geen geluid	Geluidsvolume is op het minimum ingesteld	Pas het geluid aan naar het juiste volume
	Bedrading is niet op de juiste wijze aangesloten	Controleer de aansluiting van de bedrading
CD slaat over	De unit is in een grotere hoek dan 30 graden gemonteerd	Monteer de unit opnieuw, in een hoek kleiner dan 30°
	De CD is erg vies of defect	Reinig de CD of plaats een andere CD
De bedieningsknoppen werken niet	De ingebouwde computer functioneert niet naar behoren vanwege ruis	Druk de RESET knop in. Het frontpaneel is niet goed bevestigd
De radio werkt niet	De antennekabel is niet aangesloten	Sluit de antennekabel stevig aan
	De signalen zijn te zwak	Kies handmatig de gewenste zender
Error 1	Mechanisme error	Druk op de reset knop om het probleem te verhelpen. Als de error melding niet verdwijnt neem dan contact op met uw dealer.
Error 2	Servo Focus error	Druk op de reset knop om het probleem te verhelpen. Als de error melding niet verdwijnt neem dan contact op met uw dealer.