

# CALIBER



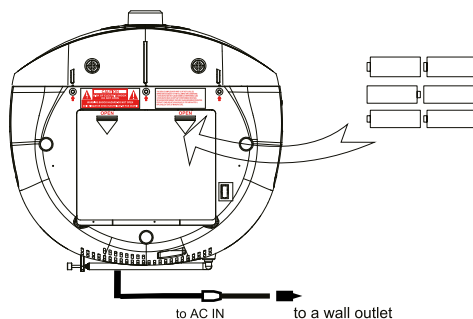
## ENGLISH

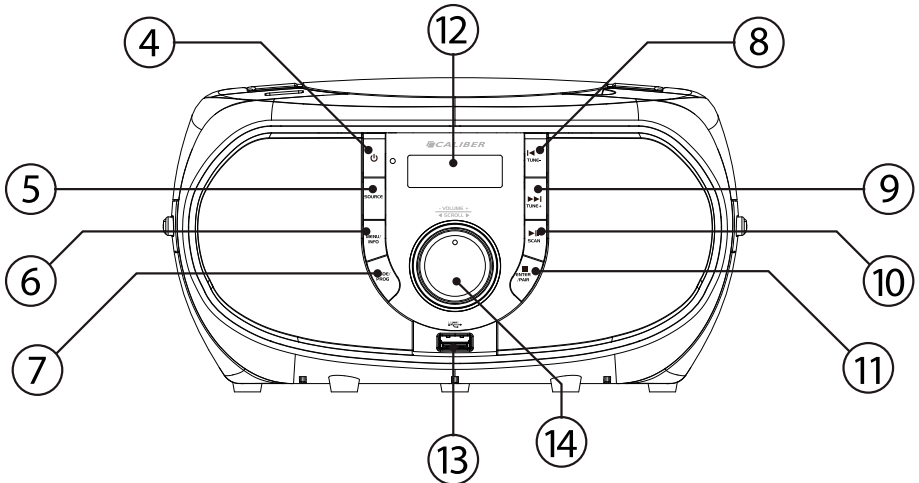
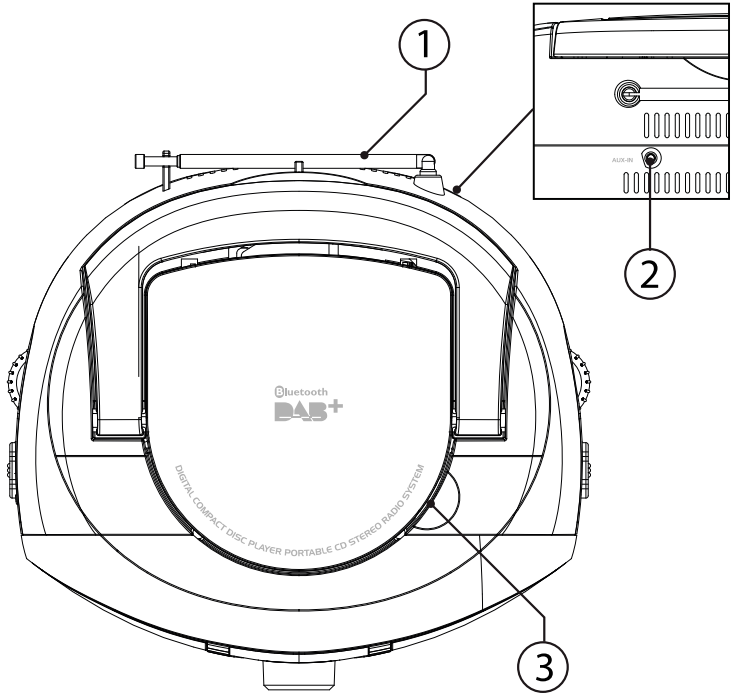
# SPECIFICATIONS, CONNECTIONS AND BUTTONS

Input:	230V / 50Hz
Bluetooth:	Version 4.2 supports A2DP / AVRCP Freq range: 2402-2480 Mhz Max e.r.p: <100mW/20dBm
Output power:	2x1,5 Watt
FM Frequency range:	FM 87.5 - 108MHz
DAB/DAB+:	174~239MHz
Battery:	9V DC, 6x 1.5V size 'C'/UM-2/R14 - <b>not</b> included
Dimensions:	24,5(W) x 22(D) x 12,5(H)cm

1. FM Antenna
2. AUX-in 3.5mm socket
3. CD cover lever
4. Power Button
5. Source:  
CD / AUX / FM / DAB+ / *Bluetooth*<sup>®</sup>
6. Menu / info  
Toggle info on display  
Press and hold to enter menu
7. Play mode (⏮ ⏪ ⏩ ⏭)  
**Prog**: Press and hold to store radio station
8. ⏮ (Previous) / Tune -
9. ⏭ (Next) / Tune +
10. ▶ / || / SCAN
11. ■ (Stop) / Enter / Pair  
Enter; when in menu's  
Pair: Press and hold to enter *Bluetooth*<sup>®</sup> pairing mode
12. Display
13. USB slot / MP3 playback (up to 32GB)
14. Volume /scroll knob  
Scroll through folders (USB)

INCLUDES  
AC Power Cord





# QUICK START GUIDE

## Precautions

### Points to observe for safe usage

Read this manual carefully before using this item and its components. They contain instructions on how to use this product in a safe and effective manner. Caliber Europe BV cannot be responsible for problems resulting from failure to observe the instructions in this manual.

### Turn off the device immediately in case of a problem.

Failure to do so may cause personal injury or damage to the product. Return it to your authorized Caliber Europe BV dealer for repairing.

### Product cleaning.

Use a soft dry cloth for periodic cleaning of the product. For more severe stains, please dampen the cloth with water only. Anything else has the chance of dissolving the paint or damaging the plastic.

### Temperature.

Ensure that the ambient temperature is between 0°C and +45°C before turning on the device.



### Maintenance.

If you have problems, do not attempt to repair the unit yourself. Return it to your Caliber Europe BV dealer for servicing.



### Placement.

Place the product on a flat surface. Provide enough space around the product for sufficient ventilation.



### Heat.

Do not locate the appliance in the vicinity of a heat surface or in direct sunlight.



### Voltage.

Check the main voltage indicated on the adapter/product rating label in accordance to the local electricity supply, if it doesn't, return the product to the store where you bought it.



### Plug.

Remove the plug from the outlet, when the product is unused for a long period of time and during thunderstorms.



### Accessories.

Use only supplied accessories

---

*Thank you for choosing our product. We hope you enjoy using the device. Below the description of the features of the HBC 433DAB-BT. The number between the “(…)” refers to the key or connection on the unit. The illustration can be found in the first pages of this manual.*

## Connecting the unit

### • AC power:

Use the provided power cord, plug one end into the back of the HBC 433DAB-BT and plug the other end (euro plug) into a wall socket.

### • DC power:

1. On the bottom of the radio, remove the battery cover by following the tabs illustrated [OPEN].
2. Insert 6 pcs. 1.5V size 'C'/UM-2/R14 batteries (not included).
3. Make sure the polarities of batteries are according to indications marked.
4. Close the battery compartment.

### Battery precautions:

- If the radio is not used for a long period of time, remove the batteries to prevent damage from possible battery leakage.
  - Do not try to recharge batteries which are not intended to be recharged, they can overheat and rupture. Follow the battery manufacturer instructions (Battery compartment has no charge function!).
- Dispose of batteries safely.





**Note:** *loud music and bass need more energy than e.g. spoken text.*

## Operations

Turn ON the HBC 433DAB-BT by pressing the  knob

Choose the source by using the [SOURCE] button (5). Press to toggle between CD/AUX/USB/FM/DAB+/Bluetooth®

### Playing from a CD, CD-R or CD-RW

- Choose CD mode using the [SOURCE] button on the unit (5).
- Open the disc tray cover, by lifting the lever (3).
- Place a CD, CD-R or CD-RW with the label side face up and close the disc tray.
- Use the buttons / / /  on the unit to control the playback.
- Press the mode button to choose: Repeat 1, repeat all, random, intro

**Note:** *to switch back to other modes, use the [SOURCE] button (5).*

### Connecting by Bluetooth

- Choose *Bluetooth* mode (BT) using the [SOURCE] button (5).

- Set your *Bluetooth* device to 'Search' using the devices' *Bluetooth* menu.
- Choose 'HBC433DAB-BT\_CAL' from the list.
- When successfully connected, a sound will be heard and you can start playing music on your device. If your device supports A2DP you can use the buttons [▶/||/■/◀/▶] on the HBC 433DAB-BT to control the playback.

### Playing from USB

- Insert a USB with MP3 or WMA files in the USB slot (13), the unit will automatically switch to USB mode and start playing. Use these buttons [▶/||/■/◀/▶] to control the playback.
- Or choose USB mode using the [SOURCE] button (5).
- Press the mode button to choose: Repeat 1, repeat all, random, intro, folder

### Connecting by AUX-in

- Use a 3.5mm Jack cable (not included) to connect an external device to the AUX-in (2).
- Choose AUX-in mode using the [SOURCE] button (5) on the unit.
- To control the playback, use the controls on your external device.

**Note:** *the playback control buttons on the HBC 433DAB-BT will not work in AUX mode.*

### Listening to the FM radio

- Choose FM mode using the [SOURCE] button on the unit (5).
- Press and hold ◀▶ to 'scan' to the previous / next available FM radio station.  
Short press ◀▶ to fine tune
- **Storing a radio station to a preset**
  - 1) Tune to the desired FM radio station.
  - 2) Press and hold the PROG button (7)
  - 3) Pick the preset number you want to store the radio station to
  - 4) Press ■ / Enter (11) to confirm
- Recall a preset by short pressing the PROG button (7).  
Use ◀▶ to select one.  
Press ■ / Enter to confirm.
- This radio is equipped with a telescopic antenna (1). Make sure to extend the antenna to its full length for the best performance.

### Listening to the DAB\* radio

- Choose DAB mode using the [SOURCE] button on the unit (5).
- Press and hold the ▶|| / Scan (10) button to scan and store all available DAB+ radio stations/
- Use ◀▶ to skip to the previous / next radio station.
- **Storing a radio station to a preset**
  - 1) Tune to the desired DAB radio station.
  - 2) Press and hold the PROG button (7)
  - 3) Pick the preset number you want to store the radio station to
  - 4) Press ■ / Enter (11) to confirm
- **Recall a preset** by short pressing the PROG button (7).  
Use ◀▶ to select one.  
Press ■ / Enter to confirm.
- This radio is equipped with a telescopic antenna (1). Make sure to extend the antenna to its full length for the best performance.

# CONNECTING THE UNIT

---

- AC power:

Use the provided power cord, plug one end into the back of the HBC 433DAB-BT and plug the other end (euro plug) into a wall socket.

- DC power:

1. On the bottom of the radio, remove the battery cover by following the tabs illustrated [OPEN].
2. Insert 6 pcs. 1.5V size 'C'/UM-2/R14 batteries (not included).
3. Make sure the polarities of batteries are according to indications marked.
4. Close the battery compartment.

Battery precautions:

- If the radio is not used for a long period of time, remove the batteries to prevent damage from possible battery leakage.
- Do not try to recharge batteries which are not intended to be recharged, they can overheat and rupture. Follow the battery manufacturer instructions (Battery compartment has no charge function!).
- Dispose of batteries safely.

Note: loud music and bass need more energy than e.g. spoken text.

## VOLUME CONTROL

Adjust the volume level by the volume knob

## SETTING THE CLOCK

The date and time of the radio is automatically set once it receives DAB/DAB+ radio broadcast signals (and when such info is available).

You may also set the date and time in DAB or FM mode manually. Please see the detail in DAB or FM menu

## DAB/DAB+ RADIO

Press the Source button to DAB mode

Press Scan button to do auto full scan and some stations are automatically stored with suitable signal strength. After the search is complete, the first stored station is broadcast automatically.

\*If the signal is weak or distortion in DAB mode, try to align the telescopic antenna vertically

## DISPLAYING DAB INFORMATION

Press INFO button to the following information (if available).

- Frequency
- Ensemble name
- Time
- Date

## USING THE DAB MENU

Press and Hold the Menu button

Press previous / next button to choose  
different modes Press Enter button to confirm

### 1. Full Scan

Full scan is used to perform a wide range search for DAB stations.

Press Enter button to do auto full scan

### 2. Manual tune

Press Previous / Next button to tune the frequency.

Press Enter button to confirm the station

### 3. DRC (Dynamic Range Control)

DRC On or Off a degree of compensation for the differences in the dynamic range  
between radio stations

Press Previous / Next button to confirm the DRC off, low or high:

Press Enter button to confirm the selected RDC.

- DRC off: No compensation applied
- DRC low: Medium compensation applied
- DRC high: Maximum compensation applied

(The asterisk behind the option indicates the current setting)

### 4. Prune

Press Previous / Next button to choose No or Yes

Press the Select button to confirm the selected No or Yes.

- No: Return to the previous menu
- Yes: Remove invalid stations form the station list

### 5. System

Press the Select button to select different modes:

Sleep

Press Previous / Next button to choose the sleep time: 15, 30, 45, 60, 90 minutes or

Sleep off

Set Time/Date

Press Previous / Next button to choose the time:

- Set Time/Date

Press Previous / Next button to choose the time, then press Enter button

to save Press Previous / Next button to choose the date, then press

Enter button to save

- Software Update

Press Previous / Next button to choose the instruction, then press Enter button to save

- SW Version

Gives software version

- Set Date format

Press Previous / Next button choose the DD-MM-YYYY or MM-DD-YYYY, then press Enter button to save

(The asterisk behind the option indicates the current setting)

- Backlight

Press Previous / Next button to choose the instruction, then press Enter button to save

Timeout (10, 20, 30, 45, 60, 90, 120 180seconds or On

On level (High, Medium or Low)

Dim level (High, Medium or Low)

(The asterisk behind the option indicates the current setting)

- Language

Press Previous / Next button to choose the language: then press Enter button to save:

1. English
2. Deutsch(German)
3. Italiano(Italian)
4. Français (French)

(The asterisk behind the option indicates the current setting.)

- Factory Reset

Press Previous / Next button to choose Yes or No, then press Enter button to save.



## FM RADIO

Press Source button to FM mode

Press and Hold the Scan button to do full "Auto Scanning" until "Auto End". Some highest signal strength station will be stored.

Press the Scan button to do scanning the nearest highest signal strength station.

Press Tune+/- button to select the station.

Press and Hold the Tune+/- button to find the station.

## RDS INFORMATION

Radio Data System (RDS) allows FM stations to transmit additional information.

When you tune to an FM radio station that transmits RDS signals, the station name is displayed.

Press Info button the following RDS information (if available). •

- Radio text
- Program type (such as NEWS, SPORT, POP M)
- Name
- Mono
- Time
- Date

## USING THE FM MENU

Press and Hold Menu button

Press Previous / Next button to choose  
different modes Press Enter button to confirm

### 1. Scan setting

Press Previous / Next button to choose

Press Enter button to confirm the selection

- All Stations: Regardless of the signal strength
- Strong station only

(The asterisk behind the option indicates the current setting.)

### 2. Audio setting

Press Previous / Next button to choose

---

Press Enter button to confirm the selection

- Stereo allowed
- Forced mono

(The asterisk behind the option indicates the current setting.)

### 3. System

Same as the DAB MENU

## **PRESENT STATION FM AND DAB**

Store your preferred DAB or FM radio stations to the preset station memories.

**30 memory preset station = DAB**

**20 memory preset station = FM**

**Preset memory is in the power failure**

## **STORING PRESET STATION**

1. Tune to the DAB or FM station
2. Press and hold Program button to Preset Store
3. Press Previous / Next button to choose the preset station number
4. Press Enter button to confirm the preset station

The DAB or FM station is stored with the selected preset number.

Repeat steps 1-4 to store more preset stations.

## **PRESET STATION RECALL**

Press the Program button

Press the Previous / Next button to choose the selected preset station

Press the Enter button to recall the selected preset station

## **USING THE ANTENNA TO IMPROVE SIGNAL RECEPTION**

Extend the antenna and adjust the position of the antenna for the best reception

## **BLUETOOTH**

Press the Source button to BT mode

Turn on the Bluetooth function of your Bluetooth device and enable the search "HBC433DAB-BT\_CAL" from the device list.

Pair the unit with your device

Once connection success, the display will show Bluetooth Connected

Press and Hold Pair button to cancel the connection

During the Playback

Press Play/Pause button to Play or Pause the track

Press Previous / Next button to choose the next or previous track

Change the volume level on this item or Bluetooth device separately

## **CD**

Press the Source button to CD mode

Put CD into the CD door insides

Auto CD reading & Auto CD playing from first track

Press Play/Pause button to pause playback temporarily (Display blinking)

Press & Hold Previous / Next button to skip the next or previous tracks & search the point of sound quickly

Press Mode button to choose (Repeat 1, Repeat All, Random, Intro) function

Press Stop button to stop the playback

## **USB**

Press the Source button to USB mode

Connect the USB memory into the USB input. Music playback will start automatically.

Press Play/Pause button to Play or Pause the track

Press Previous / Next button to choose the next or previous track

Press Mode button to choose (Repeat 1, Repeat All, Random, Intro, Folder) function

Press Stop button to stop the playback

## **REPEAT (CD / MP3 or USB mode)**

Press Mode Button during Playing CD, CD/MP3 or USB

Each Press

Repeat one track

Repeat DIR (Folder)

Repeat all track

Random

Intro

Folder

Normal Playback (DISC or USB display on)

## **FOLDER**

Press the Stop button

Press Previous / Next button to choose the Folder 1, 2 or others. (It depends on how many files from the source)

## **PROGRAMMED (CD or CD MP3 or USB mode)**

CD = max 20 tracks

CD MP3 or USB = max 99 tracks

Press Stop button

Press Prog button

P01 will appear in the display, press Previous / Next to select the track Press Prog button again to save the selected track. Repeat the step to save more selected tracks.

Press Play/Pause button to play the programmed track list ("MEM" display on)

Press Stop button twice to cancel the programmed track list

\*Repeat function is available for programmed track list

## **AUX**

Press the Source button to AUX mode.

Use 3.5mm jack Aux In cable (not included) to connect the Aux in jack and external audio player Control the music from the external audio player

**Change the volume level on this item or External Music Device separately**

## **TECHNICAL SPECIFICATIONS**

Item number: HBC433DAB-BT

Bluetooth 4.2

Radio: DAB, DAB+, FM

Frequency range

FM 87.5-108 MHz

DAB / DAB +: 174,928 ~ 239.200 MHz

Power supply: AC 230V ~ 50/60Hz

Battery: 6 x 1,5V size "C" (battery not included)

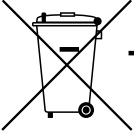
Power consumption: 9W

Audio power output: 2 x 1.5W

Speaker: 2 x 3"

Dimensions (W x D x H): 24.5 x 22 x 12.5 cm

Weight: 1.5 kg



**GB** Old appliances and/or batteries must not be disposed with garbage!

If the device/battery can not be used anymore, every user is legally obliged to dispose of old appliances and/or batteries separated from the garbage, e.g. at a collection point of his municipality/district.



**FR** Les vieux appareils et/ou les piles ne doivent pas être jetés avec les ordures ménagères !

Si l'appareil/la pile ne peut plus être utilisé(e), chaque utilisateur est légalement dans l'obligation de mettre au rebut les vieux appareils et/ou les piles séparément des ordures ménagères, par ex. dans un point de collecte de sa municipalité/de son quartier.

**DE** Altgeräte und/oder Altbatterien müssen getrennt entsorgt werden!

Benutzer sind gesetzlich verpflichtet, Altgeräte und/oder Altbatterien am Ende ihrer Nutzungsdauer getrennt zu entsorgen, z.B. an örtlich verfügbaren Sammelstellen.

**IT** Dispositivi e/o batterie vecchie non devono essere smaltiti con i rifiuti!

Se il dispositivo/batteria non può più essere utilizzato, ogni utente è obbligato per legge a smaltire i vecchi dispositivi e/o batterie separatamente dai rifiuti, ad es.: in un centro per la raccolta differenziata locale/comunale.

**ES** ¡Los dispositivos viejos y/o baterías no deben desecharse junto con la basura doméstica!

Si el dispositivo/batería ya no funciona, cada usuario está legalmente obligado a desechar sus aparatos y/o baterías de forma separada de la basura doméstica (por ejemplo, en un punto de recolección de su municipio/distrito).

**PT** Os aparelhos avariados e/ou as pilhas ou baterias usadas não devem ser eliminados juntamente com o lixo comum! Se o aparelho e/ou as pilhas ou baterias já não puderem ser utilizados, o utilizador tem o dever legal de separar os aparelhos e as pilhas/baterias usados do lixo comum e depositá-los num ponto de recolha para reciclagem na sua região

**SE** Gamla apparater och/eller batterier får inte kasseras med avfall!

Om enheten/batteriet inte längre kan användas är varje användare skyldig att slänga gamla apparater och/eller batterier avskilt från avfallet, t.ex. på en insamlingsplats i personens kommun/distrikt.

**PL** Starych urządzeń i baterii nie wolno wyrzucać z odpadkami domowymi!

Jeśli urządzenie lub bateria nie będzie więcej używane, każdy użytkownik jest prawnie zobowiązany do wyrzucania starych urządzeń i/lub baterii oddzielnie, np. w punkcie zbiórki swojej gminy lub dzielnicy.

**GR** Οι παλιές συσκευές ή/και μπαταρίες δεν πρέπει να απορρίπτονται μαζί με τα οικιακά απορρίμματα!

Αν μια συσκευή/μπαταρία δεν μπορεί πλέον να χρησιμοποιηθεί, οι χρήστες είναι νομικά υποχρεωμένοι να απορρίπτουν τις παλιές συσκευές ή/και μπαταρίες ξεχωριστά από τα οικιακά απορρίμματα, π.χ. σε σημείο συλλογής του δήμου/της περιφέρειάς τους.

**SK/CZ** Staré spotřebiče a/alebo použité batérie nesmiete likvidovať s domovým odpadom!

Ak sa už zariadenie/batéria nebude dať viac používať, každý používateľ je povinný likvidovať staré spotřebiče a/alebo batérie oddelene od odpadu, napríklad na zbernom mieste svojej obce/regiónu.

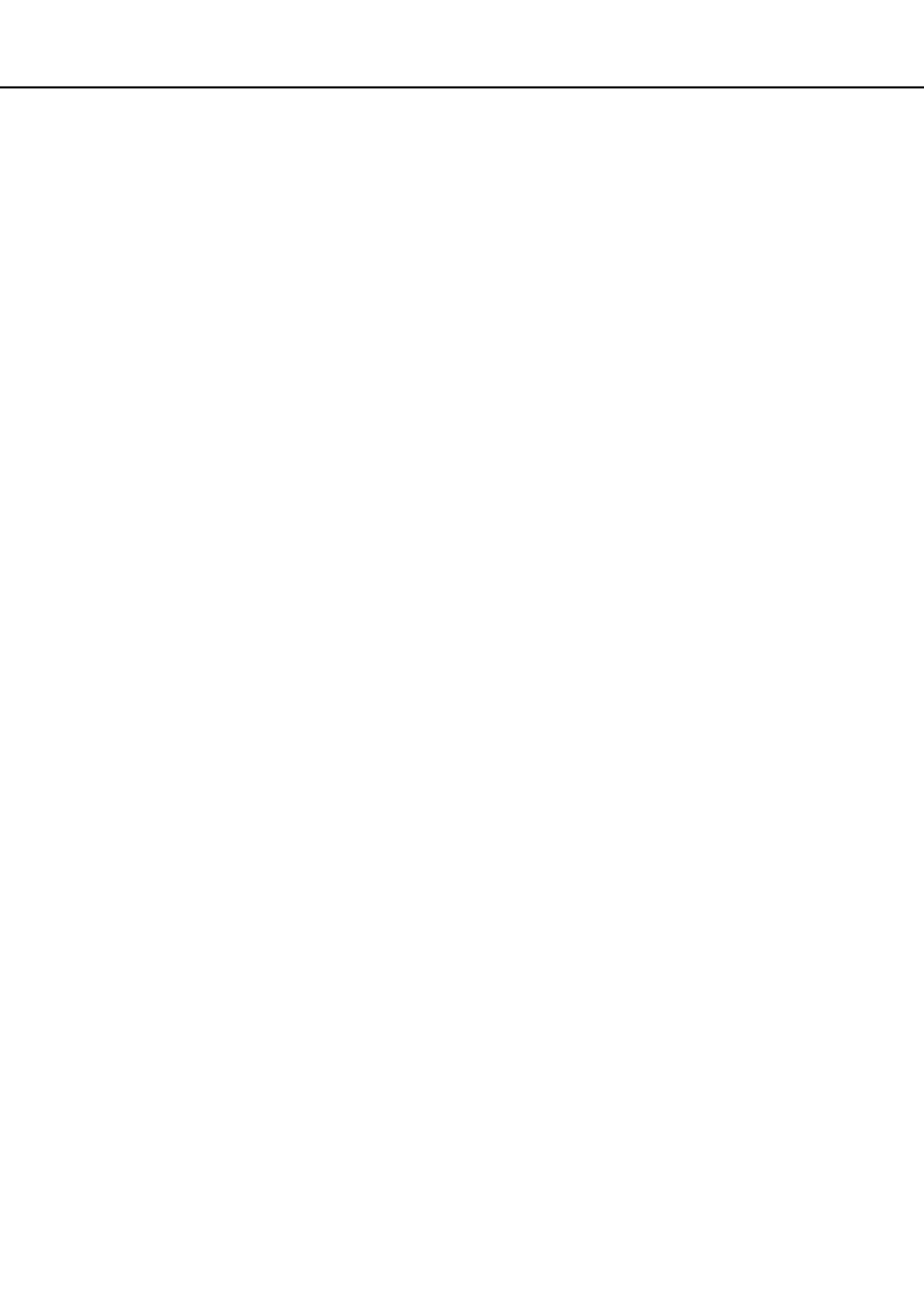
**NL** Oude apparaten en/of batterijen mogen niet bij het huisvuil!

Mocht het apparaat/batterij niet meer kunnen worden gebruikt, dan is iedere gebruiker wettelijk verplicht, oude apparaten en/of batterijen gescheiden van het huisvuil, bijv. bij een inzamelpunt van zijn gemeente/zijn wijk, af te geven.



**APPAREIL ET  
EMBALLAGES À TRIER**

**Pour en savoir plus :  
[www.quefairedemesdechets.fr](http://www.quefairedemesdechets.fr)**



**GB** Caliber hereby declares that the item HBC433DAB-BT is in compliance with the essential requirements and other relevant provisions of Directive 2014/53/EU (RED), 2009/125/EC (ERP) and 2011/65/EU (RoHS).

**FR** Par la présente Caliber déclare que l'appareil HBC433DAB-BT est conforme aux exigences essentielles et aux autres dispositions pertinentes de la directive 2014/53/EU (RED), 2009/125/EC (ERP) et 2011/65/EU (RoHS).

**DE** Hiermit erklärt Caliber, dass sich das Gerät HBC433DAB-BT in Übereinstimmung mit den grundlegenden Anforderung und übrigen einschlägigen Bestimmungen der Richtlinie 2014/53/EU (RED), 2009/125/EC (ERP) und 2011/65/EU (RoHS) befindet.

**IT** Con la presente Caliber dichiara che questo HBC433DAB-BT è conforme ai requisiti essenziali ed alle altre disposizioni pertinenti stabilite dalla direttiva 2014/53/EU (RED), 2009/125/EC (ERP) e 2011/65/EU (RoHS).

**ES** Por medio de la presente Caliber declara que el HBC433DAB-BT cumple con los requisitos esenciales y otras disposiciones aplicables o exigibles de la Directiva 2014/53/EU (RED), 2009/125/EC (ERP) y 2011/65/EU (RoHS).

**PT** Caliber declara que este HBC433DAB-BT está conforme com os requisitos essenciais e outras disposições da Directiva 2014/53/EU (RED), 2009/125/EC (ERP) e 2011/65/EU (RoHS).

**S** Härmed intygar Caliber att denna HBC433DAB-BT Pro står i överensstämmelse med de väsentliga egenskapskrav och övriga relevanta bestämmelser som framgår av direktiv 2014/53/EU (RED), 2009/125/EC (ERP) och 2011/65/EU (RoHS).

**PL** Niniejszym Caliber oświadcza, że HBC433DAB-BT jest zgodne z zasadniczymi wymaganiami oraz innymi stosownymi postanowieniami Dyrektywy 2014/53/EU (RED), 2009/125/EC (ERP) i 2011/65/EU (RoHS).

**DK** Undertegnede Caliber erklærer hermed, at følgende udstyr HBC433DAB-BT overholder de væsentlige krav og øvrige relevante krav i direktiv 2014/53/EU (RED), 2009/125/EC (ERP) og 2011/65/EU (RoHS).

**EE** Käesolevaga kinnitab Caliber seadme HBC433DAB-BT vastavust direktiivi 2014/53/EU (RED), 2009/125/EC (ERP) ja 2011/65/EU (RoHS) põhinõuetele ja nimetatud direktiivist tulenevatele teistele asjakohastele sätetele.

**LT** Šiuo Caliber deklaruoja, kad šis HBC433DAB-BT atitinka esminius reikalavimus ir kitas 2014/53/EU (RED), 2009/125/EC (ERP) ir 2011/65/EU (RoHS) Direktyvos nuostatas.

**FI** Caliber vakuuttaa täten että HBC433DAB-BT tyyppinen laite on direktiivin 2014/53/EU (RED), 2009/125/EC (ERP) ja 2011/65/EU (RoHS) oleellisten vaatimusten ja sitä koskevien direktiivin muiden ehtojen mukainen.

**IS** Hér með lýsi Caliber yfir því að HBC433DAB-BT erí samræmi við grunnkröfur og aðrar kröfur, sem gerðar eru í tilskipun 2014/53/EU (RED), 2009/125/EC (ERP) og 2011/65/EU (RoHS).

**NO** Caliber erklærer herved at utstyret HBC433DAB-BT er i samsvar med de grunn-leggende krav og øvrige relevante krav i direktiv 2014/53/EU (RED), 2009/125/EC (ERP) og 2011/65/EU (RoHS).

**NL** Hierbij verklaart Caliber dat het toestel HBC433DAB-BT in overeenstemming is met de essentiële eisen en de andere relevante bepalingen van richtlijn 2014/53/EU (RED), 2009/125/EC (ERP) en 2011/65/EU (RoHS).



**[WWW.CALIBEREUROPE.COM](http://WWW.CALIBEREUROPE.COM)**

**CALIBER EUROPE BV · Kortakker 10 · 4264 AE Veen · The Netherlands**