



HBC 431DAB-BT
and
HBC 432DAB-BT
Manual

GB · F · D · I · E · P · SW · PL · GR · CZ/SK · NL

INSTRUCTION MANUAL

HBC 431DAB-BT - DAB+/DAB / FM / BT / USB & CD/MP3 Boom Box

Thank you for choosing our product. We hope you enjoy using the device.

Symbols in these Instructions for Use

Important information for your safety is specially marked. It is essential to comply with these instructions in order to avoid accidents and prevent damage to the unit:

WARNING:

This warns you of dangers to your health and indicates possible injury risks.

CAUTION:

This refers to possible hazards to the unit or other objects.

NOTE: This highlights tips and information.

General Safety Instructions

Read the operating instructions carefully before putting the appliance into operation and keep the instructions including the warranty, the receipt and, if possible, the box with the internal packing. If you give this device to other people, please also pass on the operating instructions.

- To avoid the risk of fire or an electric shock, you should not expose the device to rain or moisture. Consequently, do not use the device in the immediate vicinity of water
 - for example near a bath tub, a swimming pool or in a damp cellar.
- Do not use the device in extremely hot, cold, dusty or damp places.
- Only use the device for private use and the intended purpose. This device is not intended for commercial use.
- Ensure that the power cord is not kinked, trapped or brought into contact with heat sources.
- Ensure that the power cord does not present a tripping hazard.
- Never touch the power plug or the cable with wet hands.
- Only connect the device at a properly installed plug socket. Pay attention that the specified voltage corresponds to the voltage of the plug socket.
- The power cord must always be easily accessible.
- Always insert the batteries correctly.
- Do not cover up any ventilation openings with objects such as newspapers, tablecloths, curtains, etc.
- This appliance shall not be exposed to dripping or splashing water and that no object filled with liquids such as vases shall be placed on apparatus.
- Exposed ignition sources such as burning candles may not be placed onto the device.
- Never open the housing of the device. Incorrect repairs can constitute a considerable risk for the user. Should the device become damaged, in particular the mains supply cable, do not operate the device any longer, but rather have it repaired by an expert. Check the mains supply cable regularly for damage.
- For safety reasons a broken or damaged mains lead may only be replaced by an equivalent lead from the manufacturer, our customer service department or qualified person.
- If the device is not used for a longer period, remove the plug connector from the plug socket or take out the batteries.

INSTRUCTION MANUAL

HBC 431DAB-BT - DAB+/DAB / FM / BT / USB & CD/MP3 Boom Box

These symbols may be found on the unit and are intended to indicate the following:



The lightning symbol should advise the user of parts in the inside of the device which carry dangerously high voltage levels.



The symbol with an exclamation mark should advise the user of important operation or maintenance instructions in the accompanying documentation.



Devices bearing this symbol work with a "class 1 laser" for tracing the CD. The built-in safety switches should prevent the user being exposed to dangerous laser light, which is invisible to the human eye, when the CD compartment is opened.

These safety switches must not be bypassed or altered; otherwise there is a risk of being exposed to the laser beam.

Children and Frail Individuals


- In order to ensure your children's safety, please keep all packaging (plastic bags, boxes, polystyrene etc.) out of their reach.


WARNING!

Do not allow small children to play with the foil. There is a danger of suffocation!

- This device is not intended to be used by individuals (including children) who have restricted physical, sensory or mental abilities and/or insufficient knowledge and/or experience, unless they are supervised by an individual who is responsible for their safety or have received instructions on how to use the device.
- Children should be supervised at all times in order to ensure that they do not play with the device.

WARNING: The appliance coupler is used as disconnect device, the disconnect device shall remain readily operable.

Explanation of symbol, marking, signal lamp or similar means indicate that apparatus is completely disconnected from the mains.  This equipment is a Class II or double insulated electrical appliance. It has been designed in such a way that it does not require a

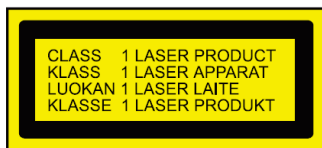
safety connection to electrical earth  Correct Disposal of this product. This marking indicates that this product should not be disposed with other household wastes throughout the EU. To prevent possible harm to the environment or human health from uncontrolled waste disposal, recycle it responsibly to promote the sustainable reuse of material resources. To return your used device, please use the return and collection systems or contact the retailer where the product was purchased. They can take this product for environmental safe recycling.

INSTRUCTION MANUAL

HBC 431DAB-BT - DAB+/DAB / FM / BT / USB & CD/MP3 Boom Box

Special safety information

This device works with a class 1 laser.



Cleaning and Maintenance

WARNING:

Do not immerse the unit in water.

- Always remove the mains plug before cleaning the unit.
- Any marks on the surface can be wiped off with a slightly damp cloth without any additives.
- Please refer the information on exterior bottom enclosure for electrical and safety information before installing or operating the apparatus.
- To reduce the risk of fire or electric shock, do not expose this apparatus to rain or moisture.
- The battery (battery or batteries or battery pack) shall not be exposed to excessive heat such no naked flame sources, such as lighted candles, should be placed on the apparatus; sun shine, fire or the like.



- Invisible laser radiation when open and interlocks defeated. Avoid exposure to beam of laser.
- no naked flame sources, such as lighted candles, should be placed on the apparatus;
- the use of apparatus in tropical climates.
- the use of apparatus in moderate climates.

INFORMATION FOR USERS ON DISPOSAL OF OLD EQUIPMENT AND BATTERIES

[European Union]



These symbols indicate that the electrical and electronic equipment and the battery with this symbol Should not be disposed of as general household waste at its end-of-life. Instead, the products should be handed over to the applicable collection points for the recycling of electrical and electronic equipment as well as batteries for proper treatment, recovery and recycling in accordance with your national legislation and the Directive 2002/96/EC and 2006/66/EC.



Products



By disposing of these products correctly, you will help to conserve natural resources and will help to prevent potential negative effects on the environment and human health which could otherwise be caused by inappropriate waste handling of these products.

For more information about collection points and recycling of these products, please contact your local municipal office, your household waste disposal service or the shop where you purchased the product.

Penalties may be applicable for incorrect disposal of this waste, in accordance with national legislation.



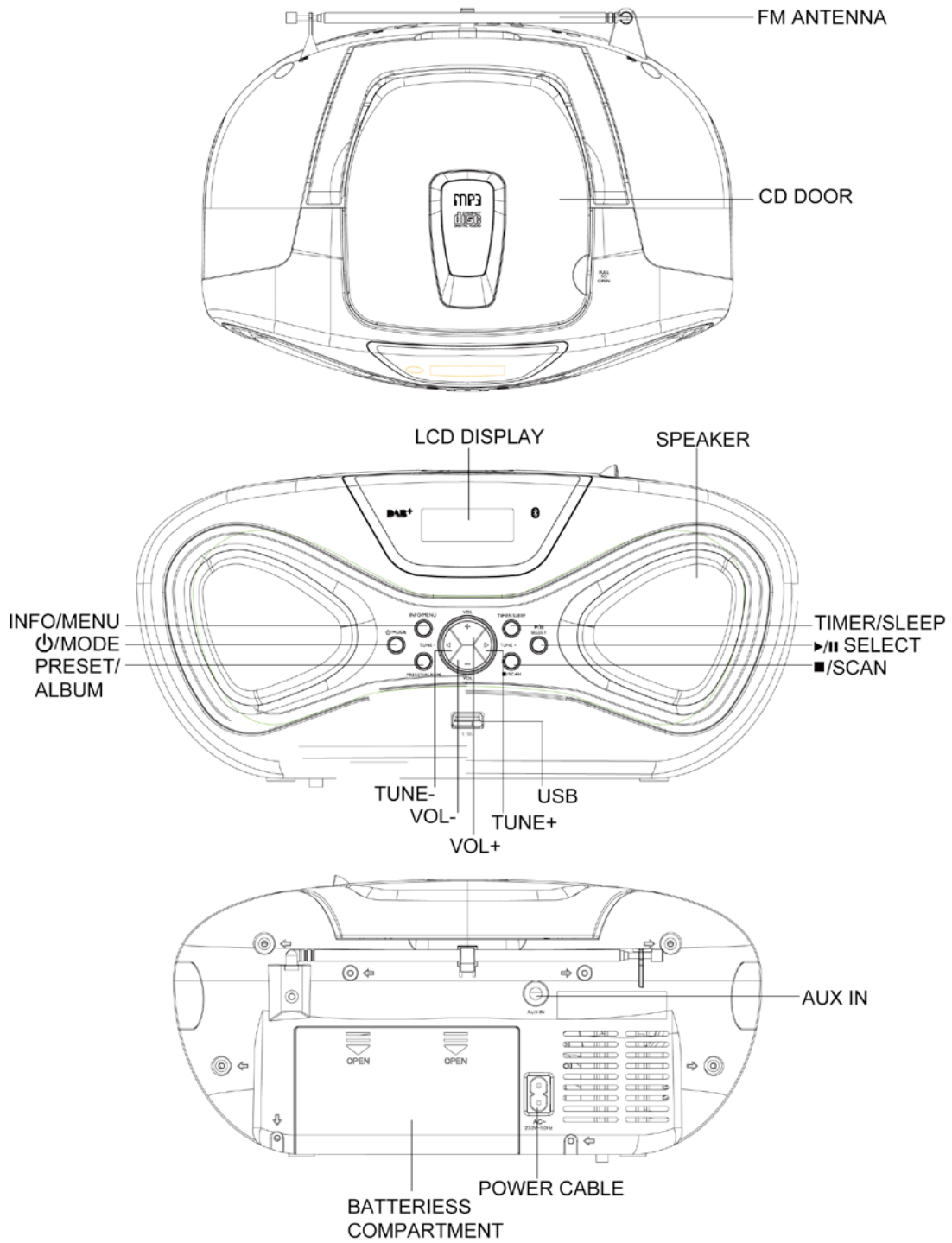
Battery

Notice: The sign Pb below the symbol for batteries indicates that this battery contains lead.

INSTRUCTION MANUAL

HBC 431DAB-BT - DAB+/DAB / FM / BT / USB & CD/MP3 Boom Box

Overview of the Controls



INSTRUCTION MANUAL

HBC 431DAB-BT - DAB+/DAB / FM / BT / USB & CD/MP3 Boom Box

SWITCHING YOUR UNIT ON FOR THE FIRST TIME

AC OPERATION

1. Connect one end of the AC power cord to the unit and the other end to the AC mains outlet.
2. Press the **Standby/MODE** button once to turn the unit on and it would automatically enter into the DAB mode.
3. To switch to other modes, repeatedly press the **Standby/MODE** button.
4. To switch off the unit, press and hold the **Standby/MODE** button for longer than two seconds.

DC (BATTERY) OPERATION

1. Ensure the AC power cord is disconnected from the unit and AC mains.
2. Installed the batteries (8x 1.5V C Size batteries) into the battery compartment.
3. Press the **Standby/MODE** button to toggle the unit between on and off.

Note: To obtain the best performance in DC operation, the use of alkaline batteries is highly recommended.

SYSTEM SETTING

During operation, you can enter into the System menu in either DAB or FM mode - first press and hold the **INFO/MENU** button to enter into the Menu, then repeatedly press the ◀ or ▶ button followed by pressing the **SELECT** button to select "System".

Inside the "System", you can select the following sub menus:

Time / Language / Factory Reset / SW version

To enter into those sub menus, repeatedly press the ◀ or ▶ button followed by pressing the **SELECT** button to confirm. To step back through the menu to the station display, press and hold the **INFO/MENU** button again and then release.

Time

Inside the Time setup menu, you can set the following:

Set Time/Date - Set time > Set date > Time Saved

Auto update - Update from Any / Update from DAB / Update from FM / No update

Set 12/24 hour - Set 12 hour / Set 24 hour

Set date format - DD-MM-YYYY / MM-DD-YYYY

Note: An "*" will be displayed to indicate the current setting.

Language

You can change the language of your radio, there are 6 options available:

English / Danish / Dutch / French / German / Norwegian

INSTRUCTION MANUAL

HBC 431DAB-BT - DAB+/DAB / FM / BT / USB & CD/MP3 Boom Box

Note: An “*” will be displayed to indicate the current setting.

Factory Reset

You can reset your radio and restore all of the original factory settings.

To perform factory reset, select <Yes> inside the “Factory Reset” menu, the unit will switch to DAB mode and perform auto scan function, the display will show “Restarting ...” and then “Scanning ...”, after the reset is completed, the unit will stay in DAB mode.

Note: All of your stored DAB & FM presets will be deleted once the reset has taken place.

SW Version

The SW version will be displayed and you may wish to take a note here.

LISTENING TO YOUR RADIO

HINTS FOR BETTER RECEPTION

This radio is fitted with a single DAB/FM telescopic antenna, to obtain the best performance, you should fully extend the antenna and adjust its position as well as the direction until you find the best reception. For ideal DAB reception, always maintain the antenna in an upright vertical position is highly recommended.

DAB MODE

If the unit is switched on for the first time, it will automatically enter into the DAB mode and perform auto scan function. During the scan the display will show “Scanning ...” together with a slide bar that indicates the progress of the scan and the amount of stations that have been found so far.

Once the scan has finished, the radio will select the first alphanumerically found station. You can now press the ◀ or ▶ button to explore the found stations followed by pressing the **SELECT** button to select listening to your desired station.

To select DAB mode during other operation modes, repeatedly press the **Standby/MODE** button until the display shows “DAB”.

To enter into the DAB Menu, press and hold the **INFO/MENU** button, then repeatedly press the ◀ or ▶ button to step through the following sub menus: Full scan / Manual tune / DRC / Prune / System

Full scan

The full scan will search for the entire DAB Band III channels. After the scan has finished, the first alphanumerically found station will be automatically selected.

1. To activate full scan, press on the **SCAN** button once, the display will show “Scanning ...” and a progressing slide bar.
2. All the stations that have been found will be stored automatically, to explore the stations that

INSTRUCTION MANUAL

HBC 431DAB-BT - DAB+/DAB / FM / BT / USB & CD/MP3 Boom Box

have been found, press the ◀ or ▶ button and when you find a station that you would like to listen to, press the **SELECT** button.

3. You can also select “Full scan” inside the DAB Menu - press and hold the **INFO/MENU** button to enter into the Menu, then repeatedly press the ◀ or ▶ button followed by pressing the **SELECT** button to select and confirm “Full scan”.

Manual tune

1. To activate manual tune, press and hold the **INFO/MENU** button to enter into the Menu, then press the ◀ or ▶ button followed by pressing the **SELECT** button to select and confirm “Manual tune”.
2. The display will show “5A” to “13F” and their associated frequencies, press the ◀ or ▶ button to move through the DAB channels, when your desired frequency appears in the display, press the **SELECT** button to confirm. The name of the station group (ensemble/multiplex) will be displayed.
3. To listen to the station selected, press the **SELECT** button again.

DRC

DRC stands for Dynamic Range Control. The dynamic range for each radio programme is set by the broadcaster for each radio station and may be different for the types of programme broadcast, such as pop or classical music or a chat show. The dynamic range control signal is transmitted in parallel with the audio signal for each programme, And with your radio, you can use this control signal to expand or compress the dynamic range (the difference between the loudest and quietest sounds) of the reproduced audio signal. Changing the dynamic range can affect the ‘loudness’ and/or ‘quality of sound’ of the programme that you hear so that it will be more suited to your listening conditions and your own personal listening requirements. E.g. In a noisy environment, where quiet sounds might be swamped, setting the compression to maximum will ‘boost’ the quiet sounds, whilst keeping the loudest sounds at their original level. There are 3 levels of compression:

DRC off - no compression, this is the default setting.

DRC high - maximum compression.

DRC low - medium compression.

1. To adjust DRC, in DAB mode, press and hold the **INFO/MENU** button to enter into the Menu, repeatedly press the ◀ or ▶ button followed by pressing the **SELECT** button to select “DRC”.
2. Press the ◀ or ▶ button followed by pressing the **SELECT** button to select and confirm the DRC level - DRC high/low/off.

Note: An “*” will be displayed to indicate the current setting.

Prune

You can remove the DAB stations in the station list that cannot be received in your area. These are

INSTRUCTION MANUAL

HBC 431DAB-BT - DAB+/DAB / FM / BT / USB & CD/MP3 Boom Box

listed with a '?' prefix.

1. To perform Prune, in DAB mode, press and hold the **INFO/MENU** button to enter into the Menu, repeatedly press the ◀ or ▶ button followed by pressing the **SELECT** button to select "Prune".
2. Again press the ◀ or ▶ button followed by pressing the **SELECT** button to select <Yes>.

DAB SECONDARY SERVICES

On some occasions you will see a ">" symbol directly after the name of the station, this indicates that there are secondary services available to that station. These secondary services contain extra services that relate to the primary station. E.g. a sports station may want to add extra commentaries. The secondary services are inserted directly after the primary station. To select the secondary station, press on the **SELECT** button once.

DAB DISPLAY MODES

During DAB operation, repeatedly press on the **INFO/MENU** button will cycle through the following display modes: DLS > Signal strength > Programme Type > Ensemble/Multiplex (Group name) > Frequency > Signal error > Audio Bit Rate > Time > Date > DLS > ...

DLS

DLS stands for Dynamic Label Segment which is a scrolling message that the broadcaster may include in their transmissions. The message usually includes information such as programme details ...etc.

Signal strength

The display will show a slide bar to indicate the signal strength, the stronger the signal, the longer the bar will be from left to right.

Programme type

This describes the style of the programme that is being broadcast. If the information is not available, the display will show "<Programme Type>".

Ensemble/Multiplex (Group name)

The Ensemble/Multiplex is a collection of radio stations that are bundled and transmitted together in a single frequency. There are national and local multiplexes, local ones contain stations that are specific to that area.

Frequency

The frequency of the present station will be displayed.

INSTRUCTION MANUAL

HBC 431DAB-BT - DAB+/DAB / FM / BT / USB & CD/MP3 Boom Box

Signal error

This is displayed as a number between 0-99. It would not be possible to satisfactorily listen to a radio station with a signal error rate of 30 or above. Try adjusting the antenna or relocating your radio to improve reception.

Audio bit rate

The display will show the digital audio bit rate being received.

Time and date

The time and date will be automatically updated by the broadcasted information; it is no need to set the clock manually.

FM MODE

1. To select FM, repeatedly press the **Standby/MODE** button until the display shows "FM". The display will show the frequency and the RDS info if available. To go through the RDS infos, repeatedly press the **INFO/MENU** button.
2. To perform manual tuning, repeatedly press the ◀ or ▶ button, when your desired frequency appears in the display, release the buttons.
3. To activate auto scan for stations, press and hold the ◀ or ▶ button until it starts to scan down or up the frequency band, the display will show "Scanning ...", and it will stop automatically once a station has been found.
4. To enter into the FM Menu, press and hold the **INFO/MENU** button, then press the ◀ or ▶ button followed by pressing the **SELECT** button to select <Scan setting> and <Audio setting>:

Scan setting - Strong stations only / All stations

Audio setting - Stereo allowed / forced mono

Note: An "*" will be displayed to indicate the current setting.

STORING AND RECALLING STORED STATIONS

In either DAB or FM mode, you can store up to 20 stations to the favourite presets; this will enable you to get direct access to your favourite stations.

1. To store a preset, first tune to your desired station, then press and hold the **PRESET/ALBUM** button, the display will show "Preset Store <1: (Empty) >".
2. Press the ◀ or ▶ button to select your desired station preset number and then press the **SELECT** button to confirm your selection, the display will show "Preset # stored".
3. To recall a preset station, first press on the **PRESET/ALBUM** button once, and when the display shows "Preset Recall", press the ◀ or ▶ button to scroll up or down the presets that you have stored, when you see your desired preset number in the display, press the **SELECT** button.

INSTRUCTION MANUAL

HBC 431DAB-BT - DAB+/DAB / FM / BT / USB & CD/MP3 Boom Box

LISTENING TO YOUR COMPACT DISCS

NOTE : Although this CD/MP3 player can read CD-R and CD-RW discs in addition to normal CDs, the playability of CD-R and CD-RW discs may be affected by the type of software that was used to create the discs, as well as the quality and condition of the blank media you are using, 100% playability cannot be guaranteed. This is not an indication of a problem with the player.

To select the CD mode, repeatedly press on the **Standby/MODE** button until "CD" is displayed.

Playing the entire CD

1. Load the disc with the printed label side facing up and then close the CD door. The display will first show "Reading" and then start playback from the first track. The display will show the track number and the play time.
2. To interrupt playback, press the ►/II button once, and the playback will be paused.
3. To resume playback, press the ►/II button again.
4. To stop playback, press the ■ button, the display will show the total number of tracks in the disc.
5. To select a different track during playback, press the ◀ or ▶ button until you read your desired track number in the display, playback will be started from this track.

Repeat play and Random play

During normal playback, you can repeatedly press the **PRESET/ALBUM** button to select the repeat play or random play function

1. To repeat the same track, press the **PRESET/ALBUM** button once, the display will show "Repeat One".
2. To repeat the entire disc, repeatedly press the **PRESET/ALBUM** button until the display shows "Repeat All".
3. If you are playing a MP3 disc, an additional "Repeat Folder" option will appear, and the current folder will be played repeatedly.
4. To select random play, repeatedly press the **PRESET/ALBUM** button until the display shows "Random".
5. To resume normal playback, repeatedly press on the **PRESET/ALBUM** button again until the display shows "Normal".

Program play

You can use the program play feature to play up to 20 tracks on a disc in any desired order. You may also program a particular track to play several times within a programmed sequence.

1. Load your disc as usual and then press the ■ button to select CD stop mode, the display will

INSTRUCTION MANUAL

HBC 431DAB-BT - DAB+/DAB / FM / BT / USB & CD/MP3 Boom Box

show the total number of tracks in the disc.

2. Press the **PRESET/ALBUM** button once, the display will show "MEM" and flashing "P_01".
3. Press the ◀ or ▶ button to select the first track to be programmed. When the desired track number appears in the display, press the **PRESET/ALBUM** button to confirm and the first track to play is programmed. The program memory number will advance to "P_02" and ready for the next entry.
4. Repeat the above steps to program other tracks, a maximum number of 20 tracks can be programmed. When you have completed programming, press the ▶/|| button to begin program play, playback will be started on the first track you programmed and will continue until the last programmed track has played.
5. When the program play is completed, the player stops and "MEM" will be still displayed, the player remains in the program play mode. Press the ▶/|| button will play the programmed sequence again.
6. To erase the program, in CD stop mode, press the ■ button once; in CD play mode, press the ■ button twice. "MEM" in the display will be disappeared.

Repeat Program play

You may use the program play and the repeat play features together to continuously repeat a programmed sequence. First program the desired playback sequence, when program play begins, press the **PRESET/ALBUM** button to select repeating the current track or the entire programmed sequence.

USB MP3 PLAYBACK

1. To select USB mode, repeatedly press the **Standby/MODE** button until the display shows "USB".
2. Insert your USB device to the USB port, the display will first show "Reading" and finally the total number of folders and tracks.
3. It will automatically playback from the first folder and track, the display will show the folder/track number and the play time.
4. To interrupt playback, press the ▶/|| button, the play time in the display will flash.
5. To resume playback, press the ▶/|| button again.
6. To play the next file/track, press the ▶ button once.
7. To play the current playing file/track again from the beginning, press the ◀ button once.
8. To play the previous file/track, press the ◀ button twice.
9. To select different folder in the device, press and hold the **PRESET/ALBUM** button.
10. To stop playback, press the ■ button.

BLUETOOTH MODE

INSTRUCTION MANUAL

HBC 431DAB-BT - DAB+/DAB / FM / BT / USB & CD/MP3 Boom Box

The Bluetooth capabilities of this radio enable it to receive audio from many Bluetooth capable devices including mobile phones, personal computers and PDAs. It supports the following Bluetooth profiles and functionality. Only one device per profile can be connected concurrently.

Advanced Audio Distribution Profile (A2DP)

- High-quality stereo audio connection
- Streaming of stereo music from PC, mobile phones...etc

Audio Video Remote Control Profile (AVRCP)

- Device remote control
- Control connected device

Stereo music connection to your mobile phones

This connection requires a mobile phone supporting the Bluetooth A2DP profile for stereo music connection. In order to create new Bluetooth connection you will need some familiarity with the Bluetooth functions of your mobile phone. As each phone operates slightly differently, please familiarize yourself with the Bluetooth capabilities of your device before connecting.

1. Ensure that the Bluetooth on your mobile phone is powered on. You might need to refer to the phone user manual for details.
2. Ensure the unit and the phone are closed in place and ideally they are no more than 3 feet apart.
3. Repeatedly press the **Standby/MODE** button to select Bluetooth mode, the display will show "Bluetooth". Set the A2DP-capable phone to search for Bluetooth devices and follow the instructions on the phone's screen. You will recognize the unit by its Bluetooth name "HBC431DABBT_CALIBER". In case that you are prompted for a passkey, enter either "0000" or "8888".
4. Select and confirm the pairing on your phone, the connection will be completed in a few seconds and the radio will produce a beep tone, and you can now start your Bluetooth music streaming operation.
5. Press the ►/II button on the unit or select starting playback on your phone to start the music playback.
6. To interrupt playback, press the ►/II button again or select "PAUSE" on your phone.
7. To skip forward or back to other songs during playback, press the ◀ or ▶ button on the unit or select the "skip controls" on your phone.

AUX INPUT

There is a 3.5mm AUX IN jack located at the back of the unit, analogue audio sound signals from other sources can be input to the unit through this jack.

1. Connect the input to other analogue audio source via a cable with 3.5mm jack.
2. Repeatedly press the **Standby/MODE** button until the display shows "Aux".

INSTRUCTION MANUAL

HBC 431DAB-BT - DAB+/DAB / FM / BT / USB & CD/MP3 Boom Box

3. Adjust the volume control for your desired sound output level.

SLEEP FUNCTION

This function allows you to program the unit to switch off itself after a set period of time. You can set your sleep time during unit operation:

1. Repeatedly press the **TIMER/SLEEP** button to select the sleep time, it will change in sequence on every press: 15 > 30 > 45 > 60 > 90 > Off > 15 > 30 >
2. When the display shows your desired sleep time, release the button, the sleep timer is now activated and the display will show the elapsed sleep time. When the sleep time counts to zero, the unit will go off.
3. To cancel sleep sooner, repeatedly press the **TIMER/SLEEP** button until the display shows "Off".

TIMER FUNCTION

This function allows you to program the unit to switch on itself at your desired operation mode and time.

1. To set the on timer clock, ensure the unit is in standby, press and hold the **TIMER/SLEEP** button until the display shows the timer icon and the on timer clock. The "hour" digit of the timer clock will flash.
2. Press the ◀ or ▶ button to set to the desired hour, then press the **SELECT** button to confirm, first set the hour and finally the minute, the on timer clock is set.
3. Then you will enter into the timer on mode setting, press the ◀ or ▶ button to select DAB/FM/CD/USB followed by pressing the **SELECT** button to confirm.
4. After the mode is selected, you will continue to go for the timer on volume level setting. (If DAB or FM is being selected, you will need to select the recalled preset station number first). The timer setting is now completed.
5. To activate the timer function, switch the unit to standby, repeatedly press the **TIMER/SLEEP** button to cycle through the following timer modes: Timer Off > Timer On Mode: DAB > FM > CD > USB > Timer Off > ...
6. When your desired timer mode appears in the display, release the button, the timer function is activated and the display will show the timer icon.