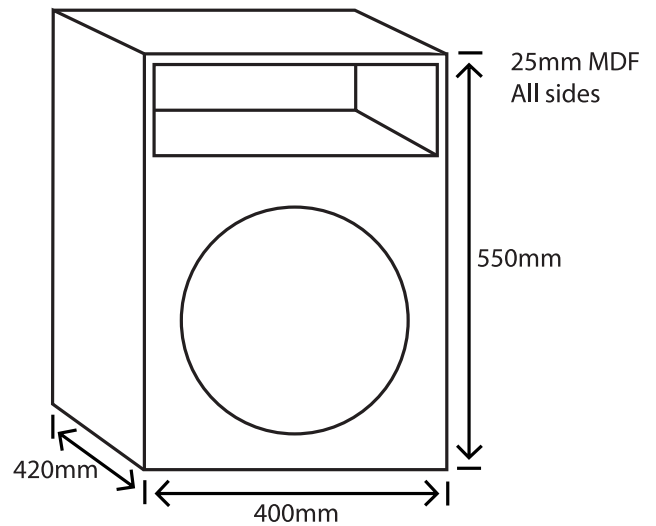


# CWZ Specification Sheet

Re	4 Ohm (2 x 2 Ohm)
Le	1,46 mH
Qms	4,14
Qes	0,36
Qts	0,33
Xmax lin	19mm one way
Xmax max	30mm one way
BL	29,4 N/A
Fs	28,3Hz
Mms	436 gr
Cms	0,07 mm/n
Rms	18,7 kg/s
Vas	27,4 liter
Spl	84,2 dB 1w/1m
Sd	519 cm <sup>2</sup>
Power RMS	2x 2000Watt



## Vented Box for SPL use 25mm MDF

Fb	60Hz
Vb	43 Liter nett
Pd	Ø 100mm, 3 pieces, OR slotport 350 x 100 x 309mm inside measurements
Pl	326mm
Vb	54,2 Liter gross